

Environmentally Sealed Limit Switches

FEATURES

- Rated current and voltage:Resistive load7A/28VDC;Motor load 4A/28VDC ;Inductive load 4A/28VDC
- Withstand voltage:1000V between terminals of the same pole,2500V from point to ground
- Vibration resistance:Symbol 1,10 g peak(10-500Hz)
- Impact resistance:Symbol M(100g)per MIL-PRF-8805
- Environmental sealing:Symbol 4,resilient seal per MIL-PRF-8805
- Dielectric strength(initial value):500VDC;100 Megohms(min)

RS PRO Environmentally Sealed Limit Switches

RS Stock No.: 2695421



RS Professionally Approved Products bring to you professional quality parts across all product categories. Our product range has been tested by engineers and provides a comparable quality to the leading brands without paying a premium price.

Product Description

Environmentally Sealed Limit Switches

- Landing gear systems for commercial and military aircraft
- External doors and hatches for commercial and military aircraft
- Military ground vehicles
- Off-road construction equipment

General Specifications

Operating Speed	0.05mm-2m/sec
------------------------	---------------

Mechanical Specifications

Service Life	120 ops/min 1.0×10 ⁷ operations
Operating Temperature	-54°C to 125°C [-65°F to 257°F]

Electrical Specifications

Service Life	30 ops/min 5.0×10 ⁵ operations (3A 250VAC)
Rated Current/Voltage	Resistive Load:7A/28VDC Motor:4A/28VDC Inductive Load:4A/28VDC

Protection Category

Degree of Protection	IP67
-----------------------------	------

Classification

eCl@ss (Version)

UNSPSC (Version)

Approvals

Declarations	MFR Declaration of Conformity, CE
Hazardous Area Certification	

Environmentally Sealed Limit Switches

Standards Met

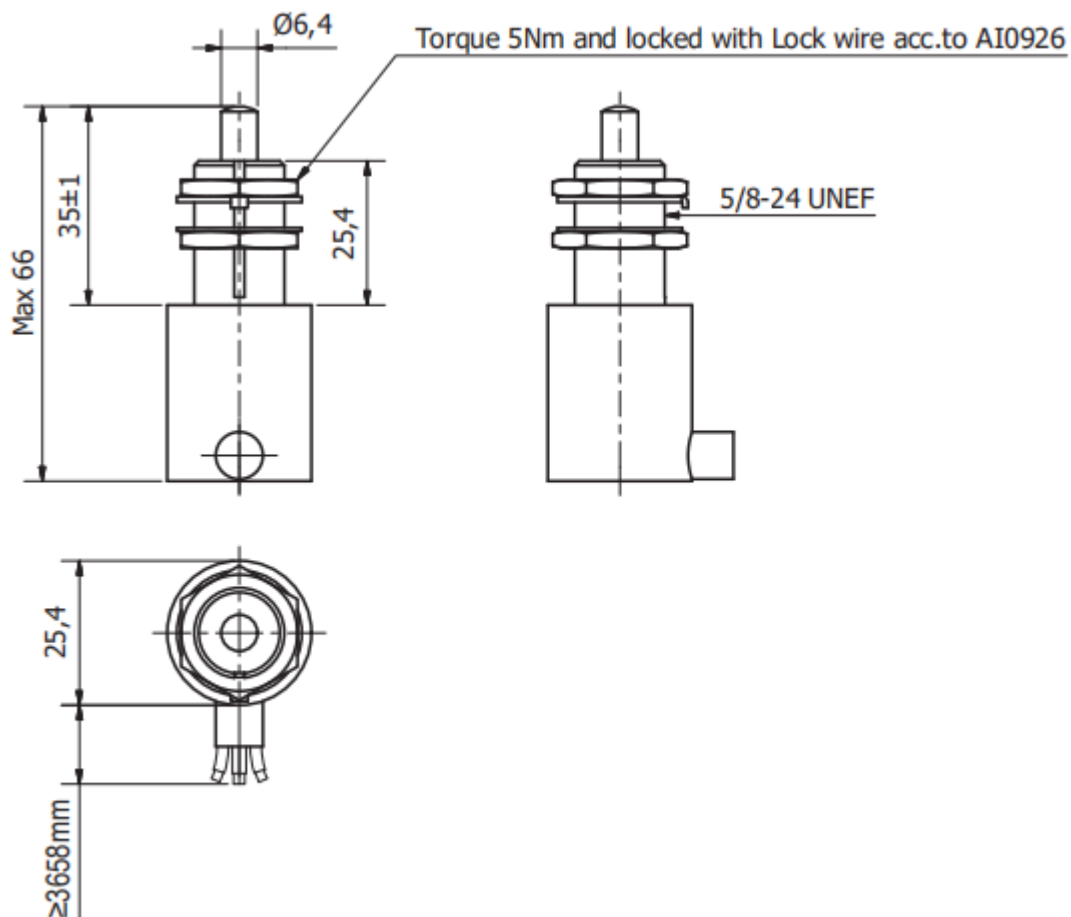
IEC 60947-5-1/EN 60947-5-1

Similar Products

Stock No.	Brand	Product Name	Attribute 1	Attribute 2	Attribute 3
XXX-XXXX	RS PRO				
XXX-XXXX	RS PRO				

Connection Diagrams / Assembly Diagrams / Illustrations / Accessories

UNITS:mm



Environmentally Sealed Limit Switches