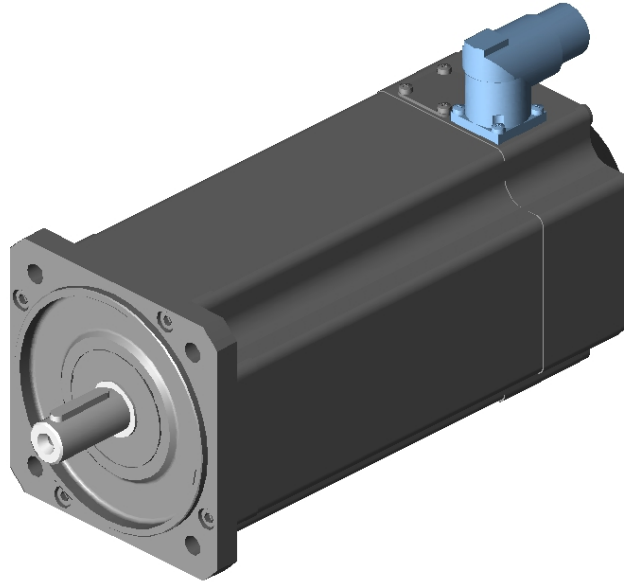





## m850 synchronous servo motor

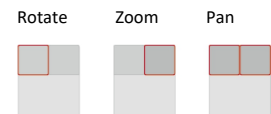
### M85AS120L406S0DLC



Note: The model shown is a simplified representation. Minor deviations may occur.

-  [16418270\\_3D.stp](#)
-  [16418270\\_datatable.csv](#)
-  [16418270\\_datatable.xls](#)

#### 3D Handling Commands



## Technical product information

### m850 synchronous servo motor

#### Motor

##### Motor code

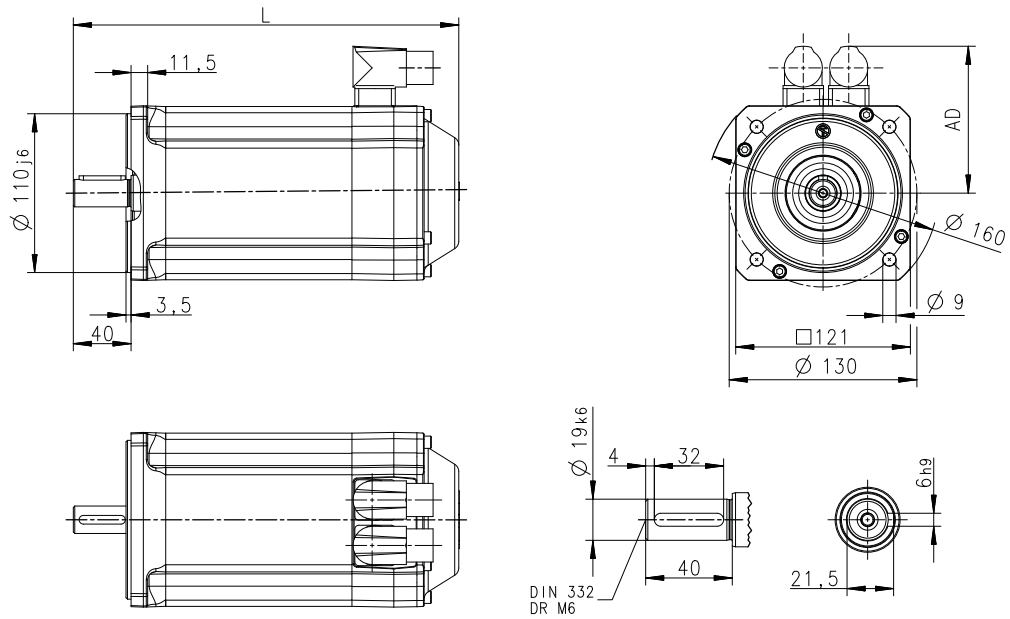
Rated power	<b>m850-S120/L3960</b>
Rated speed	<b>M85AS120L406S0DLC</b>
Rated torque	3.7 kW
Rated voltage	3960 r/min
Rated frequency	9 Nm
Rated current	320 V
Power factor	330 Hz
Operating mode	7.8 A
Motor design	0.97
Flange	S1
Motor shaft d <sub>xl</sub>	B5
Shaft seal	FF130 (A160)
Connection type	19x40 with featherkey
Temperature class	dustproof
Motor protection	Hybrid connector ICN M23
	F
	PT1k+2PTC

Enclosure	IP65
Colour	Not coated
Cooling	self-ventilated
Feedback	Digital encoder AM20-8V-D
Market approval US,CD	cURus; UL Energy verified
Motor code C86	2003
Moment of inertia	18.205 kgcm <sup>2</sup>
Nameplate 1st / 2nd	Adhesive label / without
Weight / unit	12.600 KG

**Basic dimensions**

**m850-S120, self-ventilated**

Output flange FF130



8800564-00

Motor			m850-S120/L3960	m850-S120/M3960	m850-S120/S3960
Total length without brake	L	mm	305	267	229
Total length with brake	L	mm	351	313	275
Motor/connection distance	AD	mm	102		