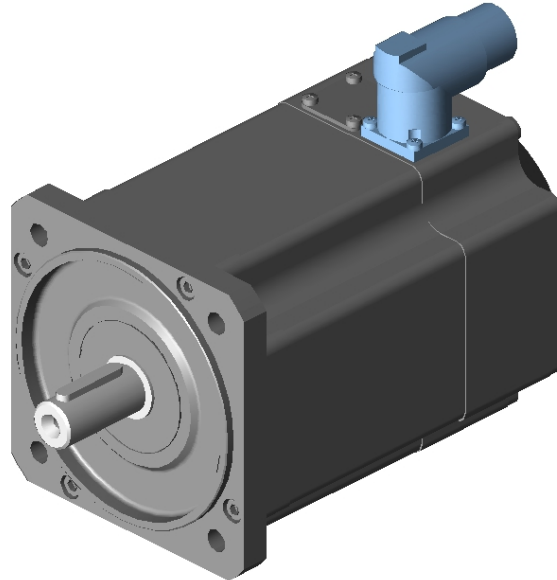





m850 synchronous servo motor

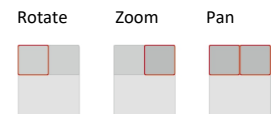
M85AS120S406S0DLC



Note: The model shown is a simplified representation. Minor deviations may occur.

-  [16560581_3D.stp](#)
-  [16560581_datatable.csv](#)
-  [16560581_datatable.xls](#)

3D Handling Commands



Technical product information

m850 synchronous servo motor

Motor

Motor code

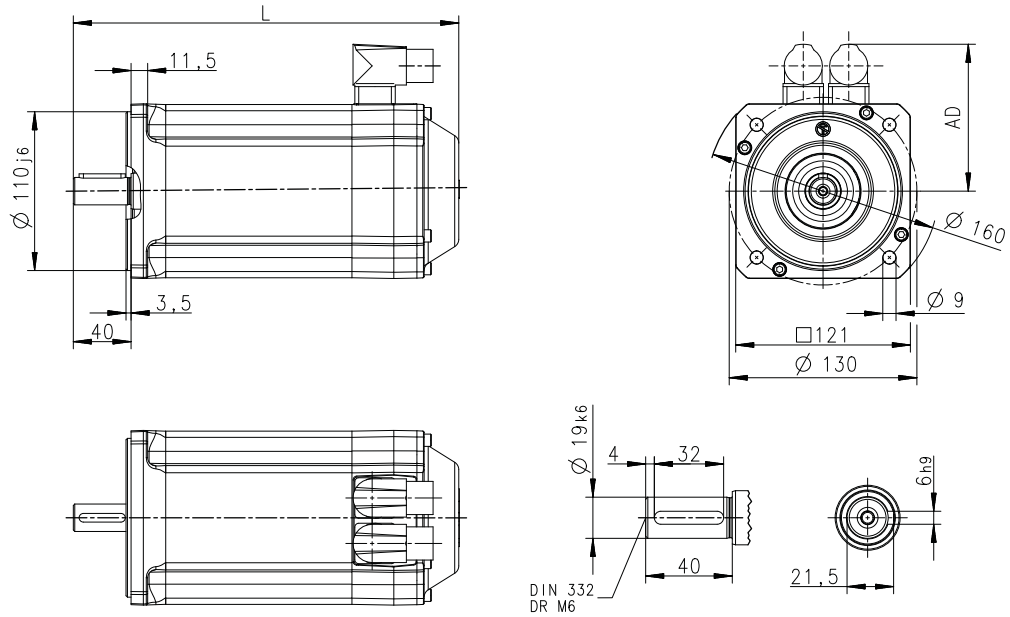
Rated power	m850-S120/S3960
Rated speed	M85AS120S406S0DLC
Rated torque	2 kW
Rated voltage	3960 r/min
Rated frequency	4.8 Nm
Rated current	330 V
Power factor	330 Hz
Operating mode	4.3 A
Motor design	0.92
Flange	S1
Motor shaft d _{xl}	B5
Shaft seal	FF130 (A160)
Connection type	19x40 with featherkey
Temperature class	dustproof
Motor protection	Hybrid connector ICN M23
	F
	PT1k+2PTC

Enclosure	IP65
Colour	Not coated
Cooling	self-ventilated
Feedback	Digital encoder AM20-8V-D
Market approval US,CD	cURus; UL Energy verified
Motor code C86	2001
Moment of inertia	6.505 kgcm ²
Nameplate 1st / 2nd	Adhesive label / without
Weight / unit	7.070 KG

Basic dimensions

m850-S120, self-ventilated

Output flange FF130



8800564-00

Motor			m850-S120/L3960	m850-S120/M3960	m850-S120/S3960
Total length without brake	L	mm	305	267	229
Total length with brake	L	mm	351	313	275
Motor/connection distance	AD	mm	102		