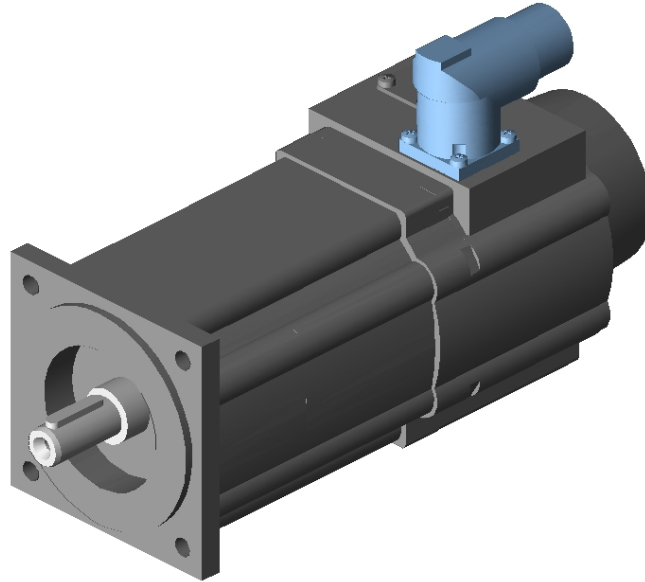



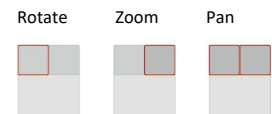


MCS synchronous servo motor**MCS09F60LEKMB0**

Note: The model shown is a simplified representation. Minor deviations may occur.

-  [16547993_3D.stp](#)
-  [16547993_datatable.csv](#)
-  [16547993_datatable.xls](#)

3D Handling Commands

**Technical product information****MCS synchronous servo motor****Motor****Motor code**

Rated power
Rated speed
Rated torque
Rated voltage
Rated frequency
Rated current
Power factor
Operating mode
Motor design
Flange
Motor shaft d_{xl}
Shaft seal
Connection type
Temperature class

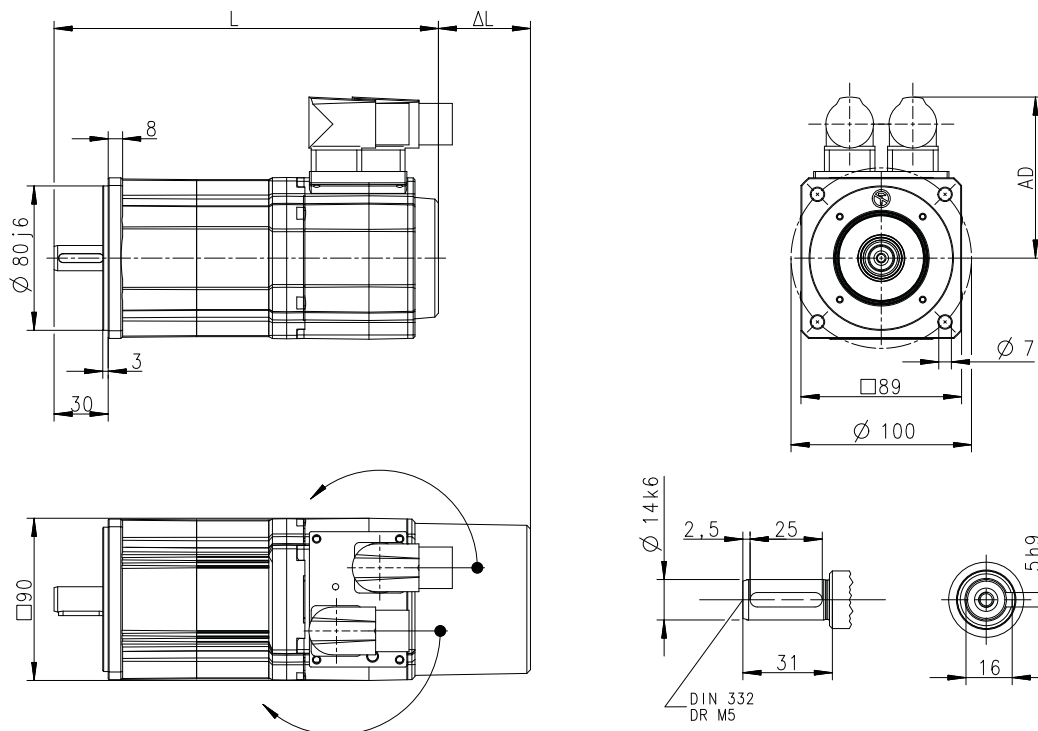
MCS 09F60L**MCS09F60LEKMB0**

1.5 kW
6000 r/min
2.4 Nm
125 V
400 Hz
7.9 A
1
S1
B5
FF100 (A120)
14x30 with featherkey
Oil-proof
Hybrid connector ICN M23
F

Motor protection	PT1k+2PTC
Enclosure	IP65
Colour	RAL 9005 = Jet black dull
Surface/corrosion protection	OKS-G (primed)
Cooling	self-ventilated
Feedback	Digital encoder AM20-8V-D
Market approval US,CD	cURus
Motor code C86	1393
Moment of inertia	1.505 kgcm ²
Nameplate 1st / 2nd	Adhesive label / without
Pos. of power connector	T [2]
Weight / unit	5.720 KG

Basic dimensions

MCS09, self-ventilated
Design B5-FF100



8800651-00

Motor			MCS 09D41- MCS 09D41L	MCS 09D60- MCS 09D60L	MCS 09F38- MCS 09F38L	MCS 09F60- MCS 09F60L	MCS 09H41- MCS 09H41L	MCS 09H60- MCS 09H60L
Total length without brake	L	mm	213		233		253	
Total length with brake	L	mm	233		253		273	
Motor/connection distance	AD	mm	90					

Motor			MCS 09L41- MCS 09L41L	MCS 09L51-
Total length without brake	L	mm	293	
Total length with brake	L	mm	313	
Motor/connection distance	AD	mm	90	

Additional lengths

MCS09

Motor			MCS09D41- MCS09D41L MCS09D60- MCS09D60L	MCS09F38- MCS09F38L MCS09F60- MCS09F60L	MCS09H41- MCS09H41L MCS09H60- MCS09H60L	MCS09L41- MCS09L41L MCS09L60-
Cooling type			natural	natural	natural	natural
R□0	Δ L	mm	0			
S□M (AM1024...)/ SRS / SVS / ECN / EQI / EQN	Δ L	mm	51			
S□M (AM128...)/ EKM / EVM	Δ L	mm	20			