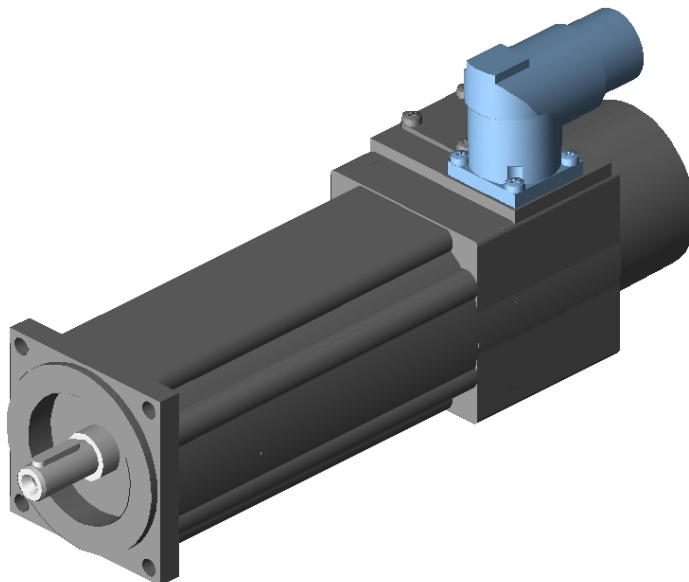



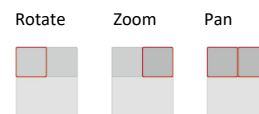


**MCS synchronous servo motor****MCS06I41-EKMB0**

Note: The model shown is a simplified representation. Minor deviations may occur.

-  [16547991\\_3D.stp](#)
-  [16547991\\_datatable.csv](#)
-  [16547991\\_datatable.xls](#)

## 3D Handling Commands

**Technical product information****MCS synchronous servo motor****Motor****Motor code**

Rated power	0.64 kW
Rated speed	4050 r/min
Rated torque	1.5 Nm
Rated voltage	325 V
Rated frequency	270 Hz
Rated current	1.6 A
Power factor	0.91
Operating mode	S1
Motor design	B5
Flange	FF75 (A90)
Motor shaft d <sub>xl</sub>	11x23 with featherkey
Shaft seal	Oil-proof
Connection type	Hybrid connector ICN M23
Temperature class	F

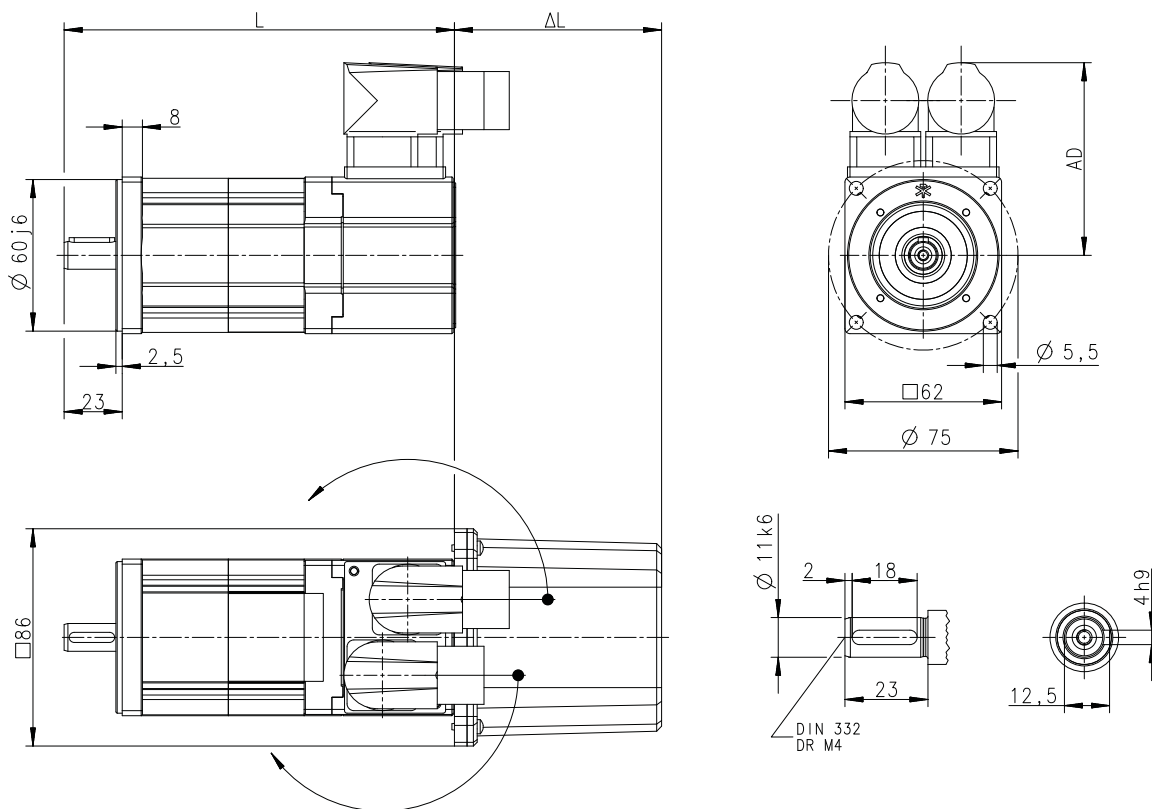
**MCS 06I41-****MCS06I41-EKMB0**

Motor protection	PT1000
Enclosure	IP65
Colour	RAL 9005 = Jet black dull
Surface/corrosion protection	OKS-G (primed)
Cooling	self-ventilated
Feedback	Digital encoder AM20-8V-D
Market approval US,CD	cURus
Motor code C86	1314
Moment of inertia	0.305 kgcm <sup>2</sup>
Nameplate 1st / 2nd	Adhesive label / without
Pos. of power connector	T [2]
Weight / unit	3.320 KG

### Basic dimensions

MCS06, self-ventilated

Design B5-FF75



8800650-00

Motor			MCS 06C41- MCS 06C41L	MCS 06C60- MCS 06C60L	MCS 06F41- MCS 06F41L	MCS 06F60- MCS 06F60L	MCS 06I41- MCS 06I41L	MCS 06I60- MCS 06I60L
Total length without brake	L	mm	155		185		215	
Total length with brake	L	mm	174		204		234	
Motor/connection distance	AD	mm	77					

### Additional lengths

#### MCS06

Motor			MCS06C41- MCS06C41L MCS06C60- MCS06C60L	MCS06F41- MCS06F41L MCS06F60- MCS06F60L	MCS06I41- MCS06I41L MCS06I60- MCS06I60L
Cooling type			natural	natural	natural
R□0	Δ L	mm	0		
S□M (AM1024...)/ SRS / SVS / ECN / EQI / EQN	Δ L	mm	82		
S□M (AM128...)/ EKM / EVM	Δ L	mm	35		