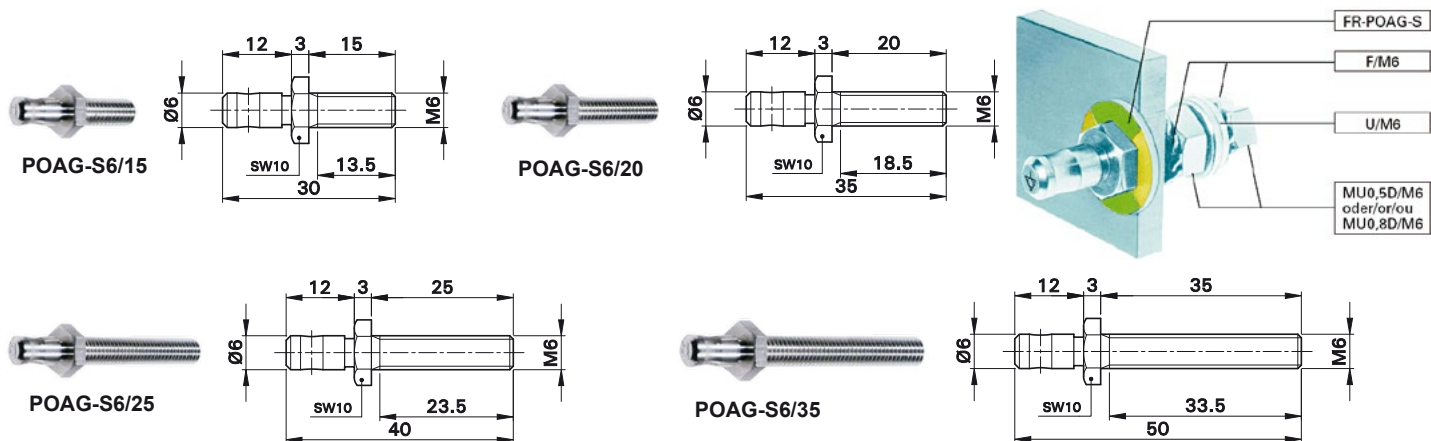


**POAG-S6/...**

Ø 6 mm plugs made of nickel-plated brass, to screw into instruments, beds or wall rails for potential equalization. Delivered in four standard lengths, other lengths on request.

**The assembly material is not supplied!**



Order No.	Type	Tightening torque	
04.0056	POAG-S6/15	max. 3 Nm	Ni TÜV <sup>1)</sup>
04.0057	POAG-S6/20	max. 3 Nm	Ni TÜV <sup>1)</sup>
04.0058	POAG-S6/25	max. 3 Nm	Ni TÜV <sup>1)</sup>
04.0059	POAG-S6/35	max. 3 Nm	Ni TÜV <sup>1)</sup>

**Assembly material**

14.5010	FR-POAG-S	Color code washer
08.0704	F/M6	Serrated lock washer (DIN 6798)
08.0501	MU0,5D/M6	Nut (DIN 439)
08.0502	MU0,8D/M6	Nut (DIN 934)
08.0601	U/M6	Washer (DIN 125)

<sup>1)</sup> These parts have been tested by TÜV Rheinland. Certificate no. R 60116228