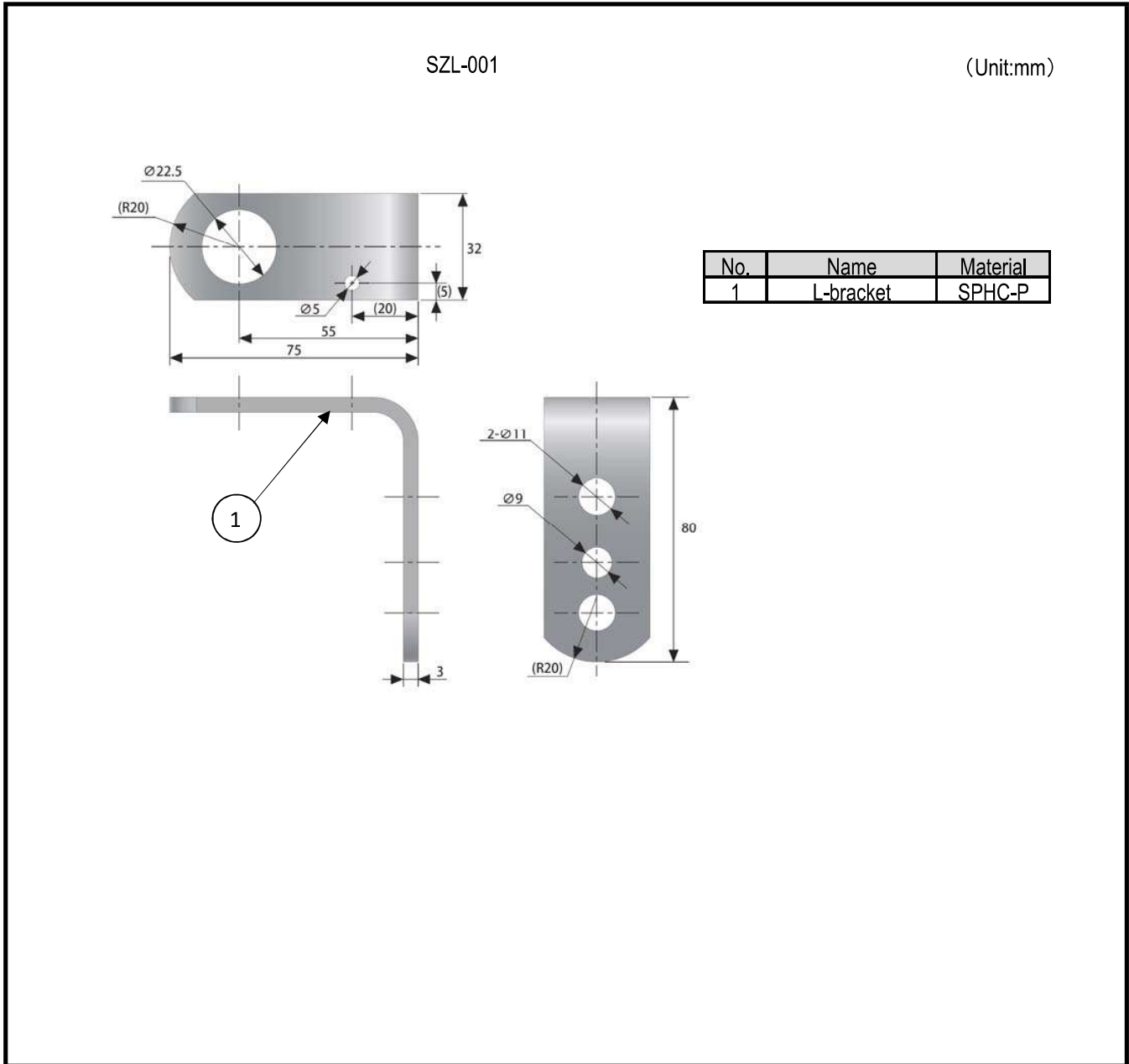


# SPECIFICATIONS

## 1.General Specifications

Model	SZL-001
Applicable Models	List in the website <a href="http://www.patlite.com/">http://www.patlite.com/</a>
Applicable Pole	
Mounting Location	Indoor Only
Mass (Tolerance $\pm 10\%$ )	0.09kg
Outer Dimensions	Refer to the 2.Outer Dimensions
Remarks	There are no contents of controlled substances exceeding the threshold for the RoHS

## 2.Outer Dimensions



SZL-001-W18B-1\_2

**PATLITE Corporation**

### 3.Mounting Dimensional Drawing

