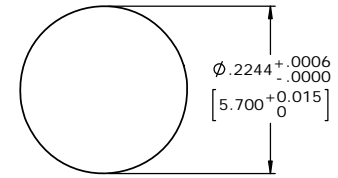


CXA PART NO.	NO. OF POS.
613PCBM	3
614PCBM	4

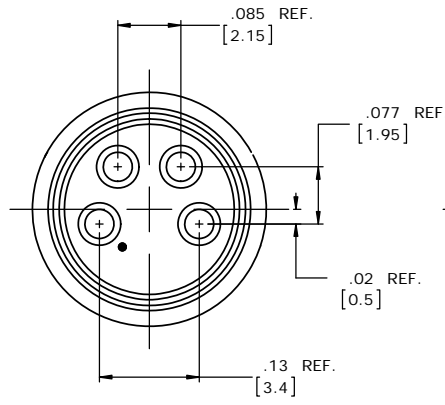
NOTES:

1. FINISHED PRODUCT TO BE PACKAGED 100 PIECES PER PARTITIONED BOX.
2. CONNECTOR ASSEMBLY SEALED WITH EPOXY AT PC TAIL END.

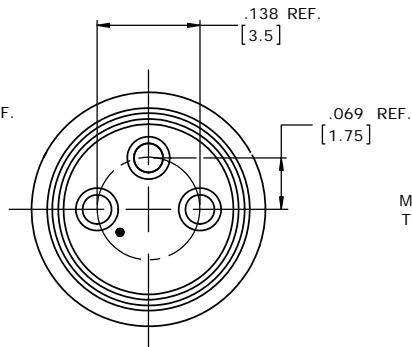
CUSTOMER APPROVAL	
THIS DOCUMENT CONTAINS CONFIDENTIAL INFORMATION PROPRIETARY TO CONXALL CORPORATION. ANY REPRODUCTION, DISCLOSURE, OR USE OF THIS DOCUMENT /INFORMATION IS EXPRESSLY PROHIBITED UNLESS AUTHORIZED IN WRITING BY CONXALL CORPORATION.	
APPROVED BY:	_____
DATE:	_____



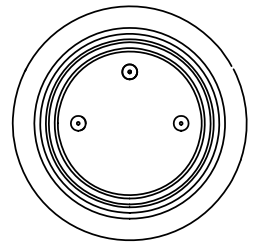
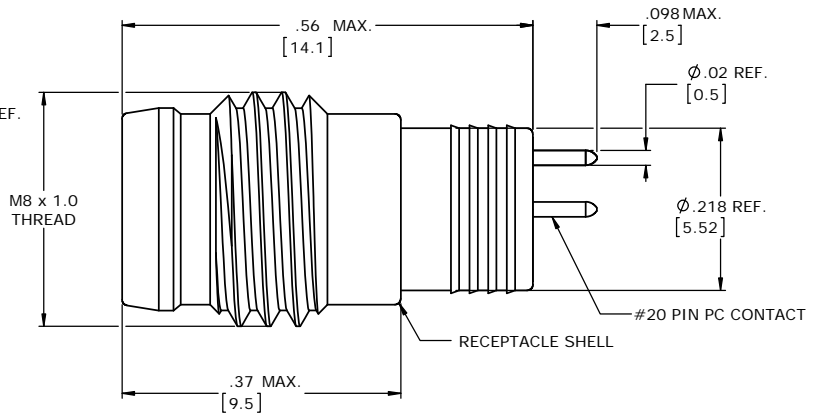
PANEL CUT-OUT



MATING FACE
4 POSITIONS



MATING FACE
3 POSITIONS



P.C. TAIL END

PROPRIETARY

THIS DOCUMENT CONTAINS CONFIDENTIAL INFORMATION PROPRIETARY TO CONXALL CORPORATION. ANY REPRODUCTION, DISCLOSURE, OR USE OF THIS DOCUMENT /INFORMATION IS EXPRESSLY PROHIBITED UNLESS AUTHORIZED IN WRITING BY CONXALL CORPORATION.

DIMENSIONS INCHES [MM]

RoHS COMPLIANT

B	AB	08-09-16	UPDATED MANUFACTURING NOTES PER ECR 9070.
A	AB	03-16-16	DRAWING CREATED PER RTM & DOR 10-2500JS-2
REV.	INIT.	DATE	DESCRIPTION
ORIG. DRAWN BY:		DATE:	
CHECKED BY:		07-01-12	
APPROVED BY:			
TITLE:		MALE RECEPTACLE, M8 THREAD STYLE BM (LONG)	
CUSTOMER:		STANDARD PRODUCT	
SCALE:	SIZE:	SHEET:	
NTS	B	1 OF 1	
FILE:	DIRECTORY:	PART NUMBER:	REV
SAME AS P/N	SLW	61XPGBM FAM	B



601 E. WILDWOOD VILLA PARK, IL 60181