

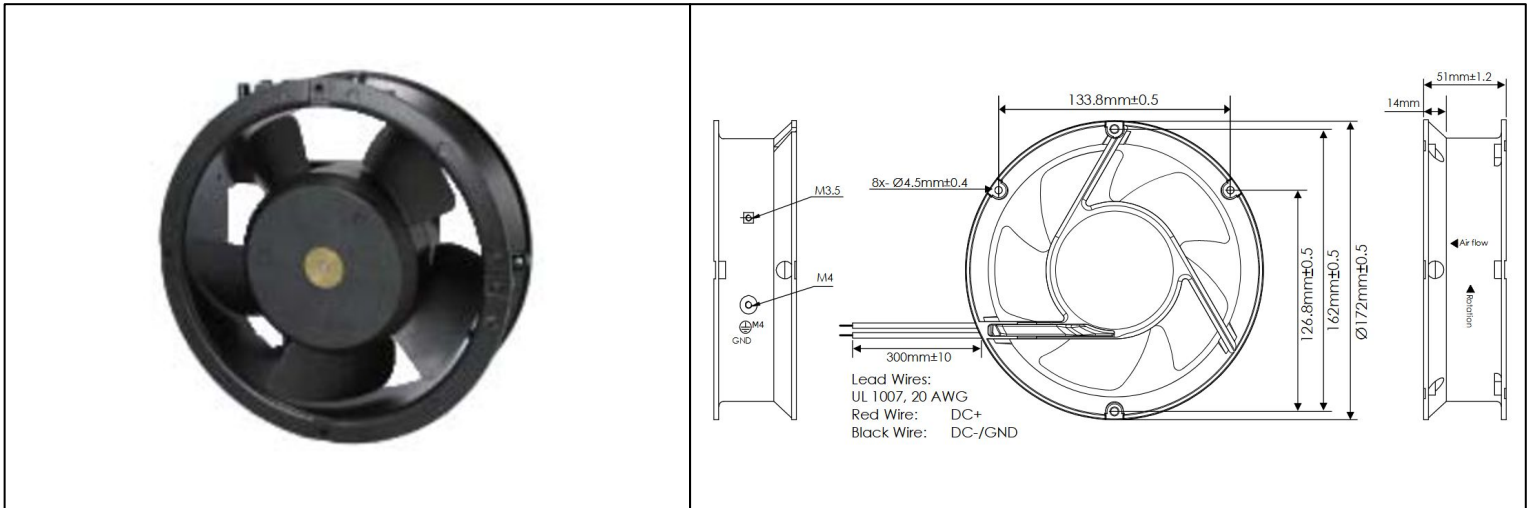


Datasheet

RS PRO DC FAN 172x51mm

Stock Number: 619-6674

EN



Frame	Die Cast Aluminum, Black	<u>Operating Temperature</u> -20°C ~ +65°C	
Impeller	PBT, UL94 V-0 Plastic	<u>Storage Temperature</u> -20°C ~ +75°C	
Connection	2x Wire Leads, 20 AWG	<u>Life Expectancy</u> 90,000 Hours (L10 at 35°C)	
Motor	Brushless DC, Auto Cutoff, Auto Restart, IC Protected, Polarity Protected	Weight: 0.85Kgs (1.87 lbs)	
Bearing System	Dual Ball Bearings		
Dielectric Strength	500VAC/min, <1mA		
Insulation Resistance	≥10M Ohm @ 500 VDC		

Model Number	619-6674
Rated Voltage (VDC)	24
Voltage Range (VDC)	15 ~ 26
Rated Power (Watts)	50.4
Rated Current (Amps)	2.10
Rated Speed (RPM)	3900
Airflow (CFM)	300
Noise Level (dB)	57
Max. Static Pressure	0.97" H ₂ O