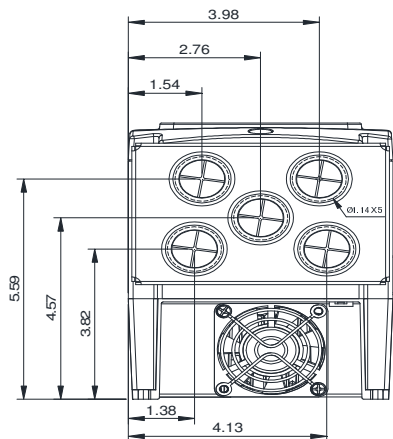
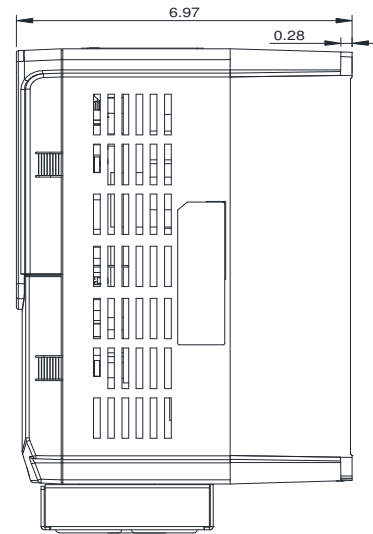
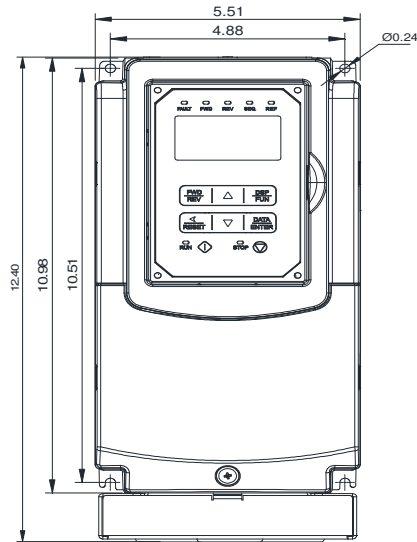


GENERAL DATASHEET VARIABLE SPEED DRIVE

Series A510				MODEL# A510-5001-C3-UE		
ISSUED 12/30/2019				ENCLOSURE/ FRAME NEMA 1 (IP20) / F2		
INPUT AMPS				AC INPUT VOLTAGE	AC INPUT FREQUENCY	AC INPUT PHASE
HD (CT) 1.9		ND (VT) 3.3				
OUTPUT HP				AC OUTPUT VOLTAGE	AC OUTPUT FREQUENCY	AC OUTPUT PHASE
HD (CT) 1		ND (VT) 2				
OUTPUT AMPS				AC OUTPUT VOLTAGE	AC OUTPUT FREQUENCY	AC OUTPUT PHASE
HD (CT) 1.7		ND (VT) 3				
				500-600	50/60	3
				500-600	0-599	3



Approved By:	Brian Smith	Drawing No:	A510-575-001-F2	Revision: 1
--------------	-------------	-------------	-----------------	-------------