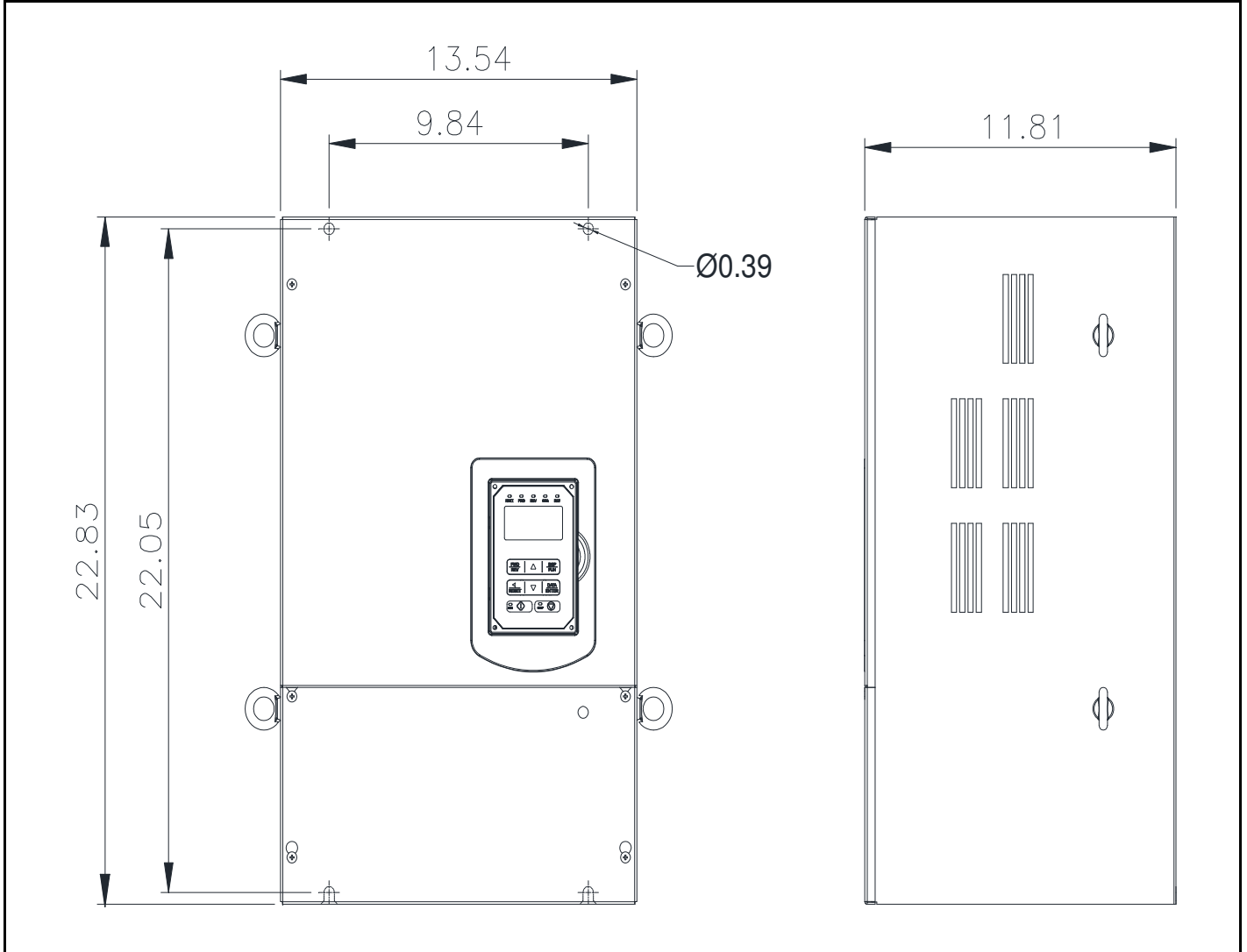


GENERAL DATASHEET VARIABLE SPEED DRIVE

Series A510				MODEL# A510-6125-C3-UE	
ISSUED 12/30/2019				ENCLOSURE/ FRAME Open Chassis (IP00) / F6	
INPUT AMPS		AC INPUT VOLTAGE 600-690	AC INPUT FREQUENCY 50/60	AC INPUT PHASE 3	
HD (CT) 109	ND (VT) 137.5				
OUTPUT HP		AC OUTPUT VOLTAGE 0-690	AC OUTPUT FREQUENCY 0-599	AC OUTPUT PHASE 3	
OUTPUT AMPS					
HD (CT) 125	ND (VT) 150	HD (CT) 99	ND (VT) 125		



Approved By:	Brian Smith	Drawing No:	A510-690-125-F6	Revision: 1
--------------	-------------	-------------	-----------------	-------------