

# KUL-11D15S-24 ✓ ACTIVE

Potter & Brumfield | Potter & Brumfield KUL

TE Internal #: 3-1393115-5

Power Relays, Industrial Panel Plug-In, Bistable, 1 Coil, 1250 mW

Coil Power Rating DC, 472  $\Omega$  Coil Resistance, Potter & Brumfield

KUL

[View on TE.com >](#)



Relays & Contactors > Relays > Power Relays



Power Relay Type: **Industrial Panel Plug-In**

Coil Magnetic System: **Bistable, 1 Coil**

Coil Power Rating DC: **1250 mW**

Coil Resistance: **472  $\Omega$**

Coil Special Features: **Magnetic Latching**

## Features

### Product Type Features

Power Relay Type	Industrial Panel Plug-In
------------------	--------------------------

### Electrical Characteristics

Insulation Initial Dielectric Between Coil & Contact Class	1000 – 1500 V
Insulation Initial Dielectric Between Contacts & Coil	1500 Vrms
Actuating System	DC
Insulation Initial Dielectric Between Open Contacts	500 Vrms
Contact Limiting Making Current	10 A
Contact Limiting Short-Time Current	10 A
Contact Limiting Continuous Current	10 A
Coil Power Rating Class	1000 – 1500 mW
Insulation Initial Dielectric Between Adjacent Contacts	1500 Vrms
Insulation Initial Resistance	100 M $\Omega$
Contact Limiting Breaking Current	10 A
Coil Magnetic System	Bistable, 1 Coil
Coil Power Rating DC	1250 mW
Coil Resistance	472 $\Omega$
Coil Special Features	Magnetic Latching
Coil Voltage Rating	24 VDC

Contact Switching Load (Min)	300mA @ 12V
------------------------------	-------------

Contact Voltage Rating	240 VAC
------------------------	---------

### Body Features

Product Weight	96 g[3.386 oz]
----------------	----------------

### Contact Features

Contact Arrangement	2 Form C (CO)
---------------------	---------------

Contact Current Class	16 A
-----------------------	------

Contact Current Rating (Max)	10 A
------------------------------	------

Contact Material	AgCdO
------------------	-------

Contact Number of Poles	2
-------------------------	---

Relay Terminal Type	Quick Connect, Solder
---------------------	-----------------------

### Mechanical Attachment

Relay Mounting Type	Socket
---------------------	--------

### Dimensions

Length Class (Mechanical)	35 – 40 mm
---------------------------	------------

Width Class (Mechanical)	30 – 40 mm
--------------------------	------------

Product Width	35.7 mm[1.405 in]
---------------	-------------------

Product Length	38.9 mm[1.55 in]
----------------	------------------

Product Height	54.8 mm[2.157 in]
----------------	-------------------

### Usage Conditions

Environmental Ambient Temperature Class	50 – 70 °C
---	------------

Environmental Ambient Temperature (Max)	70 °C[158 °F]
---	---------------

Operating Temperature Range	-45 – 70 °C
-----------------------------	-------------

### Packaging Features

Packaging Method	Package
------------------	---------

### Product Compliance

[For compliance documentation, visit the product page on TE.com>](#)

EU RoHS Directive 2011/65/EU	Compliant with Exemptions
------------------------------	---------------------------

EU ELV Directive 2000/53/EC	Compliant
-----------------------------	-----------

China RoHS 2 Directive MIIT Order No 32, 2016	Restricted Materials Above Threshold
---	--------------------------------------

EU REACH Regulation (EC) No. 1907/2006	
--	--



Current ECHA Candidate List: JUNE 2023 (235)

Candidate List Declared Against: JUNE 2022 (224)

SVHC > Threshold:

Cadmium oxide (7.95% in Component Part)

**Article Safe Usage Statements:**

Use personal protective equipment as required. Do not eat, drink or smoke when using this product. Recycle if possible and dispose of the article by following all applicable governmental regulations relevant to your geographic location.

Halogen Content

Not Yet Reviewed for halogen content

Solder Process Capability

Not applicable for solder process capability


**Product Compliance Disclaimer**

This information is provided based on reasonable inquiry of our suppliers and represents our current actual knowledge based on the information they provided. This information is subject to change. The part numbers that TE has identified as EU RoHS compliant have a maximum concentration of 0.1% by weight in homogenous materials for lead, hexavalent chromium, mercury, PBB, PBDE, DBP, BBP, DEHP, DIBP, and 0.01% for cadmium, or qualify for an exemption to these limits as defined in the Annexes of Directive 2011/65/EU (RoHS2). Finished electrical and electronic equipment products will be CE marked as required by Directive 2011/65/EU. Components may not be CE marked. Additionally, the part numbers that TE has identified as EU ELV compliant have a maximum concentration of 0.1% by weight in homogenous materials for lead, hexavalent chromium, and mercury, and 0.01% for cadmium, or qualify for an exemption to these limits as defined in the Annexes of Directive 2000/53/EC (ELV). Regarding the REACH Regulation, the information TE provides on SVHC in articles for this part number is based on the latest European Chemicals Agency (ECHA) 'Guidance on requirements for substances in articles' posted at this URL: <https://echa.europa.eu/guidance-documents/guidance-on-reach>

## Compatible Parts



TE Part # 2-1419106-5  
27E893=SOCKET,KU,11,QC,POLY,NA-



TE Part # 1419106-4  
27E046=SOCKET,KU,11,PC,NYL,NAT



TE Part # 1393143-1  
27E043=SOCKET,KU,11,SLG,NYL,N



TE Part # 1393143-5  
27E121=SOCKET,KUP,11,SCW,PLE



TE Part # 1393143-2  
27E067=SOCKET,KU,11,QC,187,NY



TE Part # 3-1393143-8  
27E396=SOCKET,KU,11,SNAP,.187QC

Also in the Series | [Potter & Brumfield KUL](#)



Power Relays(14)

## Customers Also Bought



TE Part #640250-5  
Receptacle Housing: Wire-to-Board, with Mating Alignment, SL156



TE Part #173090-2  
.070 ECONOSEAL PLUG ASSY 2P



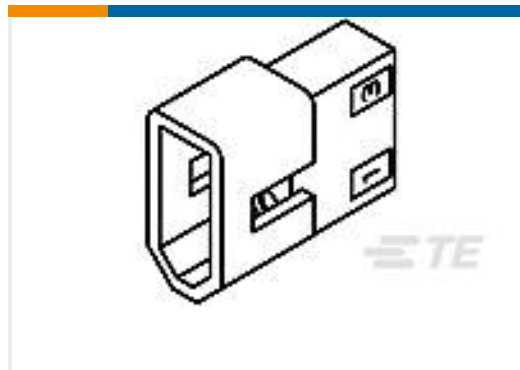
TE Part #3-1630019-4  
HSC200 R13 5%



TE Part #2-1419106-5  
27E893=SOCKET,KU,11,QC,POLY,NA-



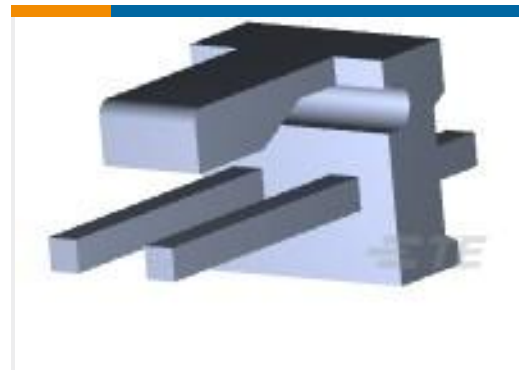
TE Part #5787834-2  
STD USB TYPE B, VERTICAL, T/H, NATURAL



TE Part #770340-1  
02P .062 COMM P&S PLUG



TE Part #1-480763-0  
05P UMNL PLUG HSG NATL



TE Part #640445-2  
02P MTA156 HDR ASSY FL/STR SN



TE Part #TAX38725102-002  
RPC-M12X-8MS-1.0SH-M12X-8MS-PUR

## Documents

[CAD Files](#)

[3D PDF](#)

[3D](#)

[Customer View Model](#)

[ENG\\_CVM\\_CVM\\_3-1393115-5\\_A.2d\\_dxf.zip](#)

English

[Customer View Model](#)

[ENG\\_CVM\\_CVM\\_3-1393115-5\\_A.3d\\_igs.zip](#)



English

### Customer View Model

[ENG\\_CVM\\_CVM\\_3-1393115-5\\_A.3d\\_stp.zip](#)

English

By downloading the CAD file I accept and agree to the [Terms and Conditions](#) of use.

### Datasheets & Catalog Pages

[KUL 10 Amp Magnetic Latching Relay](#)

English

### Product Specifications

[Definitions General Purpose Relays](#)

English

### Agency Approvals

[UL](#)

English