



Connectors > Connector Accessories > Connector Caps & Covers



Connector Cover Type: **Shield & Strain Relief**

Cable Exit Angle: **45°**

Primary Product Material: **Carbon Steel**

Number of Positions: **160**

Operating Temperature (Max): **150 °C [ 302 °F ]**

## Features

### Product Type Features

Connector Cover Type	Shield & Strain Relief
----------------------	------------------------

### Configuration Features

Number of Positions	160
---------------------	-----

### Body Features

Cable Exit Angle	45°
Primary Product Material	Carbon Steel

### Mechanical Attachment

Thread Size	4-40
-------------	------

### Dimensions

Compatible Cable Diameter Range	30.48 mm[1.2 in]
Product Width	46.86 mm
Product Height	70.36 mm[2.77 in]

### Usage Conditions

Operating Temperature (Max)	150 °C[302 °F]
-----------------------------	----------------



Operating Temperature Range -55 – 150 °C[-67 – 302 °F]

### Packaging Features

Packaging Quantity	1
Packaging Method	Bag

### Other

Connector Accessory Comment	Hardware supplied unassembled.
-----------------------------	--------------------------------

### Product Compliance

[For compliance documentation, visit the product page on TE.com>](#)

EU RoHS Directive 2011/65/EU	Compliant
EU ELV Directive 2000/53/EC	Compliant
China RoHS 2 Directive MIIT Order No 32, 2016	No Restricted Materials Above Threshold
EU REACH Regulation (EC) No. 1907/2006	Current ECHA Candidate List: JUNE 2023 (235) Candidate List Declared Against: JUNE 2022 (224) Does not contain REACH SVHC
Halogen Content	Not Yet Reviewed for halogen content
Solder Process Capability	Not applicable for solder process capability

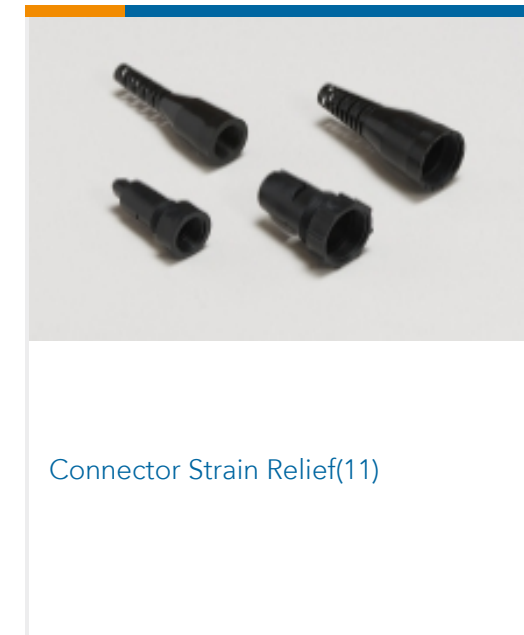
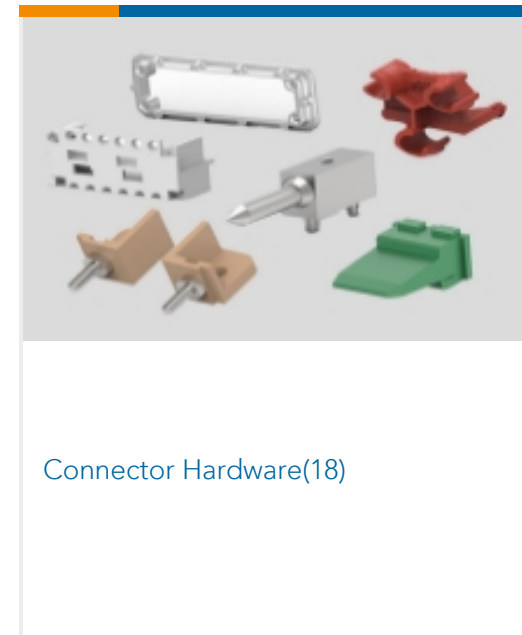
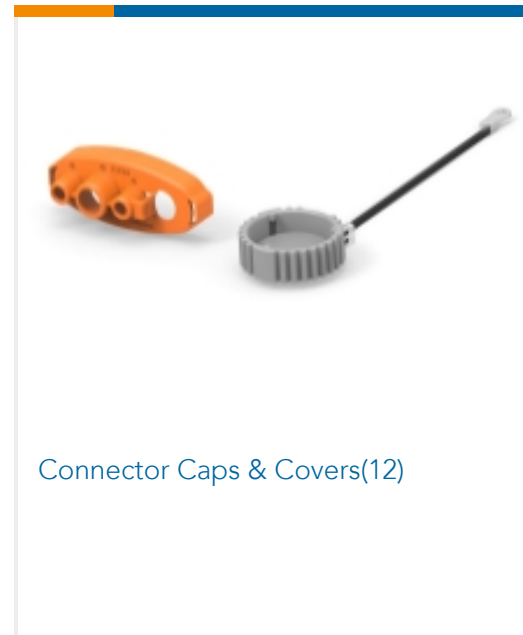
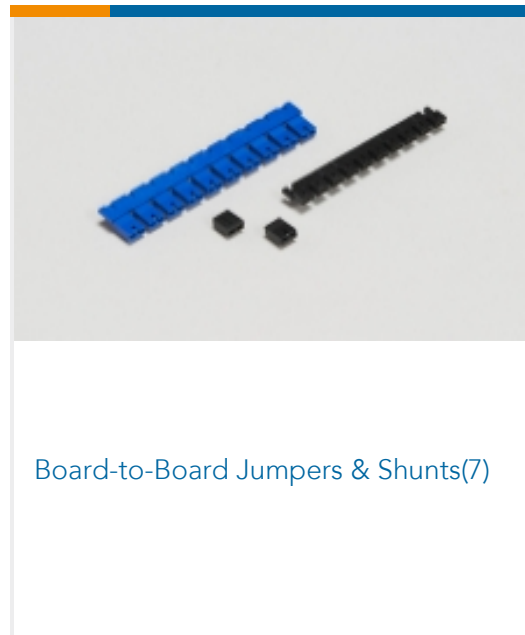
#### Product Compliance Disclaimer

This information is provided based on reasonable inquiry of our suppliers and represents our current actual knowledge based on the information they provided. This information is subject to change. The part numbers that TE has identified as EU RoHS compliant have a maximum concentration of 0.1% by weight in homogenous materials for lead, hexavalent chromium, mercury, PBB, PBDE, DBP, BBP, DEHP, DIBP, and 0.01% for cadmium, or qualify for an exemption to these limits as defined in the Annexes of Directive 2011/65/EU (RoHS2). Finished electrical and electronic equipment products will be CE marked as required by Directive 2011/65/EU. Components may not be CE marked. Additionally, the part numbers that TE has identified as EU ELV compliant have a maximum concentration of 0.1% by weight in homogenous materials for lead, hexavalent chromium, and mercury, and 0.01% for cadmium, or qualify for an exemption to these limits as defined in the Annexes of Directive 2000/53/EC (ELV). Regarding the REACH Regulation, the information TE provides on SVHC in articles for this part number is based on the latest European Chemicals Agency (ECHA) 'Guidance on requirements for substances in articles' posted at this URL: <https://echa.europa.eu/guidance-documents/guidance-on-reach>

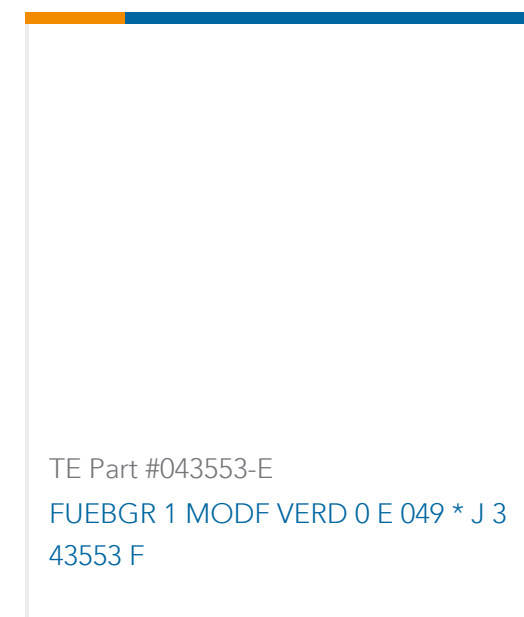
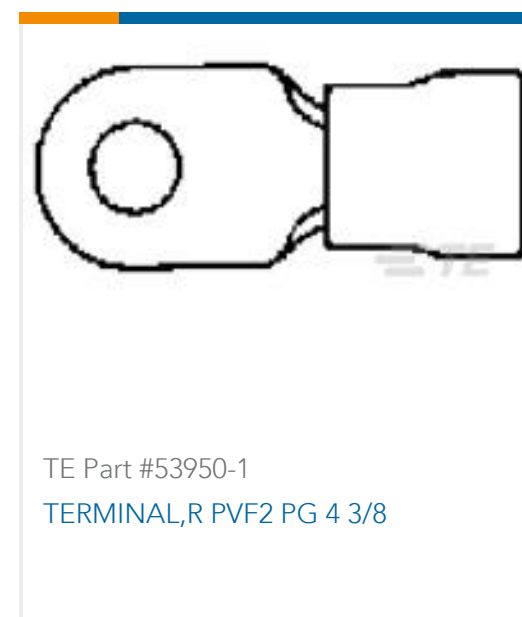
### Compatible Parts



### Also in the Series | AMP M Series



### Customers Also Bought





## Documents

### Product Drawings

[SERIES M 160 POS 450 SHIELD](#)

English

### CAD Files

[3D PDF](#)

English

Customer View Model

[ENG\\_CVM\\_202798-1\\_E.2d\\_dxf.zip](#)

English

Customer View Model

[ENG\\_CVM\\_202798-1\\_E.3d\\_igs.zip](#)

English

Customer View Model

[ENG\\_CVM\\_202798-1\\_E.3d\\_stp.zip](#)

English

Customer View Model

[ENG\\_CVM\\_CVM\\_202798-1\\_B.3d\\_igs.zip](#)

English

Customer View Model

[ENG\\_CVM\\_CVM\\_202798-1\\_B.3d\\_stp.zip](#)

English

Customer View Model

[ENG\\_CVM\\_CVM\\_202798-1\\_B.2d\\_dxf.zip](#)

English

[3D PDF](#)

3D

By downloading the CAD file I accept and agree to the [Terms and Conditions](#) of use.

### Datasheets & Catalog Pages

[M\\_SERIES\\_PIN\\_AND\\_SOCKET\\_CONNECTORS](#)

English

### Instruction Sheets

[Instruction Sheet \(U.S.\)](#)

English



[AMP\\* 160 POSITION SERIES "M" CONNECTOR AND ACCESSORIES](#)

English

[Instruction Sheet \(U.S.\)](#)

English

[SHIELD & CABLE CLAMP 202798-1 FOR 160 POSITION CENTER FASTENER CO](#)

English

---

[Agency Approvals](#)

[Agency Approval Document](#)

English