

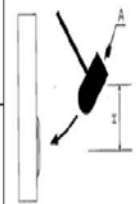
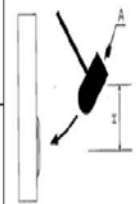
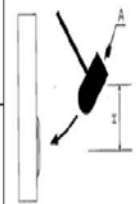


**RS Part no.**

175-9275	MPB25-A0F10E-124-JQ
175-9269	MPB25-A0F11E-124-JQ
175-9259	MPB25-A0F21E-124-JQ
175-9263	MPB25-A0F20E-124-JQ
175-9274	MPB25-A0F10E-324-JQ
175-9282	MPB25-A0F11E-324-JQ
175-9257	MPB25-A0F21E-324-JQ
175-9262	MPB25-A0F20E-324-JQ
175-9273	MPB25-A0F10E-524-JQ
175-9267	MPB25-A0F11E-524-JQ
175-9256	MPB25-A0F21E-524-JQ
175-9261	MPB25-A0F20E-524-JQ
175-9272	MPB25-A0F10E-624-JQ
175-9266	MPB25-A0F11E-624-JQ
N/A	MPB25-A0F21E-624-JQ
175-8336	MPB25-A0F20E-624-JQ
175-8347	MPB25-A0F10E-724-JQ
175-8342	MPB25-A0F11E-724-JQ
175-8345	MPB25-A0F21E-724-JQ
175-8335	MPB25-A0F20E-724-JQ
175-8346, 175-9052	MPB25-A0F10E-A24-JQ
175-8341, 175-8937	MPB25-A0F11E-A24-JQ
175-8382, 175-9102	MPB25-A0F21E-A24-JQ
175-8333, 175-9043	MPB25-A0F20E-A24-JQ
175-8350	MPB25-A0F10E2-324-JQ
175-8330	MPB25-A0F11E2-324-JQ
175-8332	MPB25-A0F21E2-324-JQ
175-8339	MPB25-A0F20E2-324-JQ

175-8349	MPB25-A0F10E2-624-JQ
175-8344	MPB25-A0F11E2-624-JQ
175-8369	MPB25-A0F21E2-624-JQ
175-8338	MPB25-A0F20E2-624-JQ
175-8348	MPB25-A0F10E2-724-JQ
175-8356	MPB25-A0F11E2-724-JQ
175-8343	MPB25-A0F21E2-724-JQ
175-8337	MPB25-A0F20E2-724-JQ
175-8381	MPB25-D0F10E3-324-JQ
175-8377	MPB25-D0F11E3-324-JQ
175-8357	MPB25-D0F21E3-324-JQ
175-8374	MPB25-D0F20E3-324-JQ
175-8380	MPB25-D0F10E3-624-JQ
175-8376	MPB25-D0F11E3-624-JQ
175-8370	MPB25-D0F21E3-624-JQ
175-8373	MPB25-D0F20E3-624-JQ
175-8379	MPB25-D0F10E3-724-JQ
175-8375	MPB25-D0F11E3-724-JQ
175-8383	MPB25-D0F21E3-724-JQ
175-8372	MPB25-D0F20E3-724-JQ

# Specifications:

	ITEM	DESCRIPTION	TEST CONDITIONS	REQUIREMENTS													
MECHANICAL PERFORMANCE	5	Operation pressure	MODEL-1305N MECHANICAL TEST 500gram、1000gram、2000gram.	1Pole about $2.5 \pm 1N$ . 2Pole about $3.5 \pm 1N$ .													
	6	Operation Travel	Full Travel.	$3.2 \pm 0.3mm$ .													
	7	Torque	Applied to nut.	About 5~14Nm.													
	8	Panel Thickness	Applied to nut.	About 1~10mm.													
	9	IK Code	<table border="1"> <thead> <tr> <th>IK Degree</th> <th>Weight (A)</th> <th>Original Height (H)</th> <th>Impact Energy</th> <th>Impact Diagram</th> </tr> </thead> <tbody> <tr> <td>08</td> <td>1.25 kg</td> <td>40cm</td> <td>5J</td> <td rowspan="2">  </td> </tr> <tr> <td>10</td> <td>5.0kg</td> <td>40cm</td> <td>20J</td> </tr> </tbody> </table>	IK Degree	Weight (A)	Original Height (H)	Impact Energy	Impact Diagram	08	1.25 kg	40cm	5J		10	5.0kg	40cm	20J
IK Degree	Weight (A)	Original Height (H)	Impact Energy	Impact Diagram													
08	1.25 kg	40cm	5J														
10	5.0kg	40cm	20J														
OPERATING LIFE	10	Operating Life	<p>Measurements shall be made following the test forth below :</p> <p>①Ie:3A /Ue:250VAC .( resistive load)</p> <p>②Rate of Operation: 6-8operation cycles per minute.</p> <p>③Electronics Life Test : 50,000 cycles.(for 3A/250VAC)</p> <p>④Electronics Life Test : 6,000 cycles.(for 3A/28VDC)</p> <p>⑤Mechanical Life Test : Rate of Operation: 30 operation cycles/MIN Resettable : 1,000,000 cycles. Self-locking: 500,000 cycles.</p>	<p>①Dielectric Strength : between terminals :1000VAC. between terminals of opposite polarity :2000VAC.</p> <p>②Insulation Resistance : 1000MΩ (at 500VDC)min.</p> <p>③Contact Resistance : 100mΩ Max.</p>													

Jul.27.2017

ITEM	DESCRIPTION	TEST CONDITIONS	REQUIREMENTS
11	Resistance Low Temperature	Following the test set forth below the sample shall be left in normal temperature and humidity conditions for 1 hour before the measurements are made: ① Temperature : $-20\pm 3^{\circ}\text{C}$ . ② Time : 96 hours.	As shown in item 2-4.
12	Resistance High Temperature	Following the test set forth below the sample shall be left in normal temperature and humidity conditions for 1 hour before the measurements are made: ① Temperature : $55\pm 3^{\circ}\text{C}$ . ② Time : 96 hours.	As shown in item 2-4.
13	Resistance Humidity	Following the test set forth below the sample shall be left in normal temperature and humidity conditions for 1 hour before the measurements are made: ① Temperature: $40\pm 2^{\circ}\text{C}$ ② Relative Humidity: 90~95% ③ Time: 96 hours.	① Contact Resistance: 100 mΩ Max.  ② Insulation Resistance: 1000MΩ min.

HUMIDITY RESISTANCE

	ITEM	DESCRIPTION	TEST CONDITIONS	REQUIREMENTS
HUMIDITY RESISTANCE	14	Salt spray Testing	Following the test set forth below the sample shall be left in normal temperature and humidity conditions for an hour before the measurements are made: ①Temperature:35±2°C. ②The ratio of salt-water : 5%. ③The spray amount of salt- water : 1-2 ml/h. ④Time:48 hours.	The testing standard based on bubble, crack, And magnifying glass with gauge.
	15	Test of IP 67	Protected against the effects of Temporary immersion in water. (1m below the surface of the water for a duration of 30 min).	IP67 According to EN 60529 : 1991+A1 : 2000 IEC 60529 : 2001
RoHS	16	HSF	Refer RoHS Standard : The electronic electrical machinery product limits with six big chemical materials.	Cd : 100ppm Pb : 1000ppm Hg : 1000ppm Cr6+ : 1000ppm PBB · PBDE : 1000ppm
SOLDER HEAT RESISTANCE	17	Manual Soldering	■ hand Soldering : ①Soldering Temperature : 290°C. (Max) ②Duration of Solder Heated : 3 seconds (Max). ■ Precautions in Handling: ①Please make sure that there is no flux rose over the surface of the PCB.	①Shall be free from pronounced backlash and falling-off or breakage terminals. ②As shown in item 2~4.

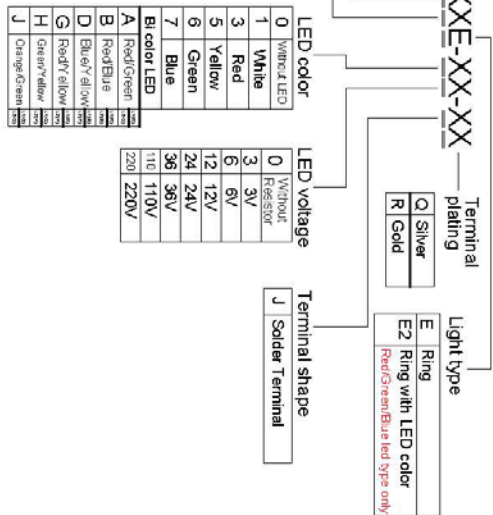
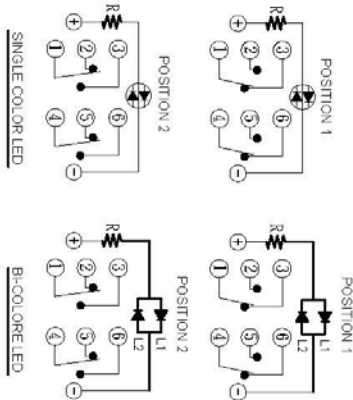
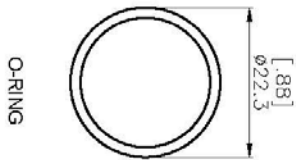
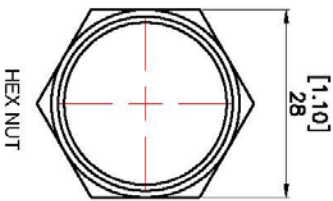
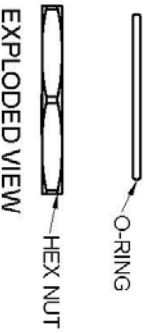
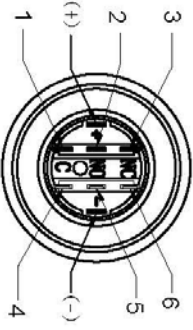
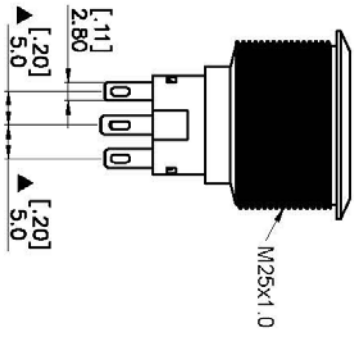
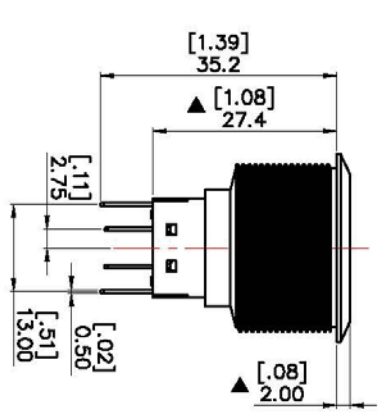
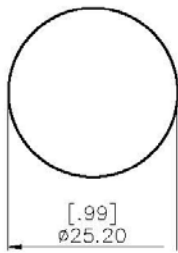
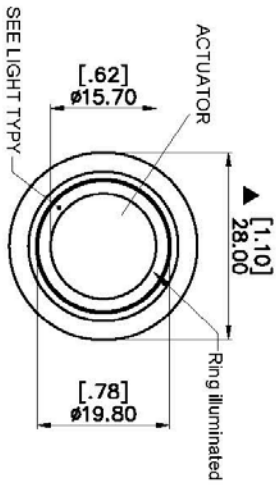
Wiring:

1. Solder the terminals using a 60W soldering iron at 290°C within 3 seconds. (Sn-Ag-Cu type solder is recommended.)
2. When soldering, be sure to keep the soldering iron as far away from the housing as possible.
3. Also ensure that no tensile force is applied to the terminal. Do not bend the terminal or apply excessive force to the terminal.

### 5. LED Specifications : (LED Without resistor)

Color	VF(v) Min.	VF(v) TYP.	VF(v) MAX.	IF(MAX)
White	2.8	3.3	3.8	20mA
Red	1.8	2.1	2.5	20mA
yellow	1.8	2.1	2.5	20mA
Blue	2.8	3.2	3.8	20mA
Green	2.8	3.2	3.6	20mA

MATERIAL:  
 BUSHING: Stainless Steel.  
 BASE: PBT(UL 94-V0); PC(UL 94-V2)  
 ACTUATOR: PC; Stainless Steel.  
 INNER ASSEMBLY: POM;P/A66  
 SPRING: spring steel.  
 SEALING: Silicone.  
 O-Ring: Silicone.  
 TERMINAL: Brass, silver or gold plated.  
 HEX NUT: Nickel plated brass.  
 ROHS



LED color	Without LED	With LED
1 White	0	3
3 Red	6	8V
5 Yellow	12	12V
6 Green	24	24V
7 Blue	36	36V
Bi-color LED	110	110V
	220	220V

**SPECIFICATIONS**

1. CONTACT MATERIAL:  $\varnothing$ SILVER.  
 R=Brass, Coin silver, Gold plated.  
 2. RATING: 1lh 5A/250VAC, resistive load 3A/250VAC.  
 3. ELECTRICAL LIFE: 50,000 MAKE-AND-BREAK CYCLES AT FULL LOAD.  
 4. MECHANICAL LIFE: Momentary, 1,000,000. SELF-LOCK 500,000.  
 5. INSULATION RESISTANCE: 1,000M $\Omega$  MIN AT 500VDC.  
 6. DIELECTRIC STRENGTH: 2,000V RMS@sea level.  
 7. CONTACT RESISTANCE: 50m $\Omega$  MAX @1A 12VDC(initial value).  
 8. OPERATING TEMPERATURE: -20 $^{\circ}$ C to 55 $^{\circ}$ C.  
 9. TRAVEL: ABOUT 3.2mm.  
 10. OPERATION PRESSURE: 1Pole 2.5±1N. / 2Pole 3.5±1N.  
 11. INGRESS PROTECTION: IP67, IK10(Stainless).  
 12. TORQUE: 5~14Nm.

**TOLERANCE (公差):**  
 0.00 mm  $\pm$  0.25mm  
 0.0 mm  $\pm$  0.40mm  
 ANGULAR:  $\pm$  2'



