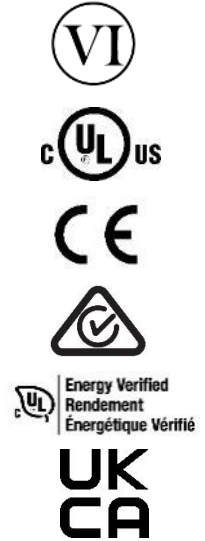




10W Interchangeable Wall Plug Adapter Series



Features

- Double Insulated
- Field Changeable AC Plugs – Sold Separately
- Limited Power Source (LPS)
- US DoE Level VI Efficiency Compliance
- Ecodesign/ErP Lot 7 (EU) 2019/1782 Compliance
- EU COC V5 Tier 2 Compliance
- AS/NZS 4665.1-2005+A1:2009, AS/NZS 4665.2-2005+A1:2009 Compliance
- Class B EMI
- PSM10R-050A(M)-R charging scheme: Data Lines (Pins 2 and 3) Shorted

Applications

- Wireless Communications
- Peripherals
- Network Equipment
- Gaming

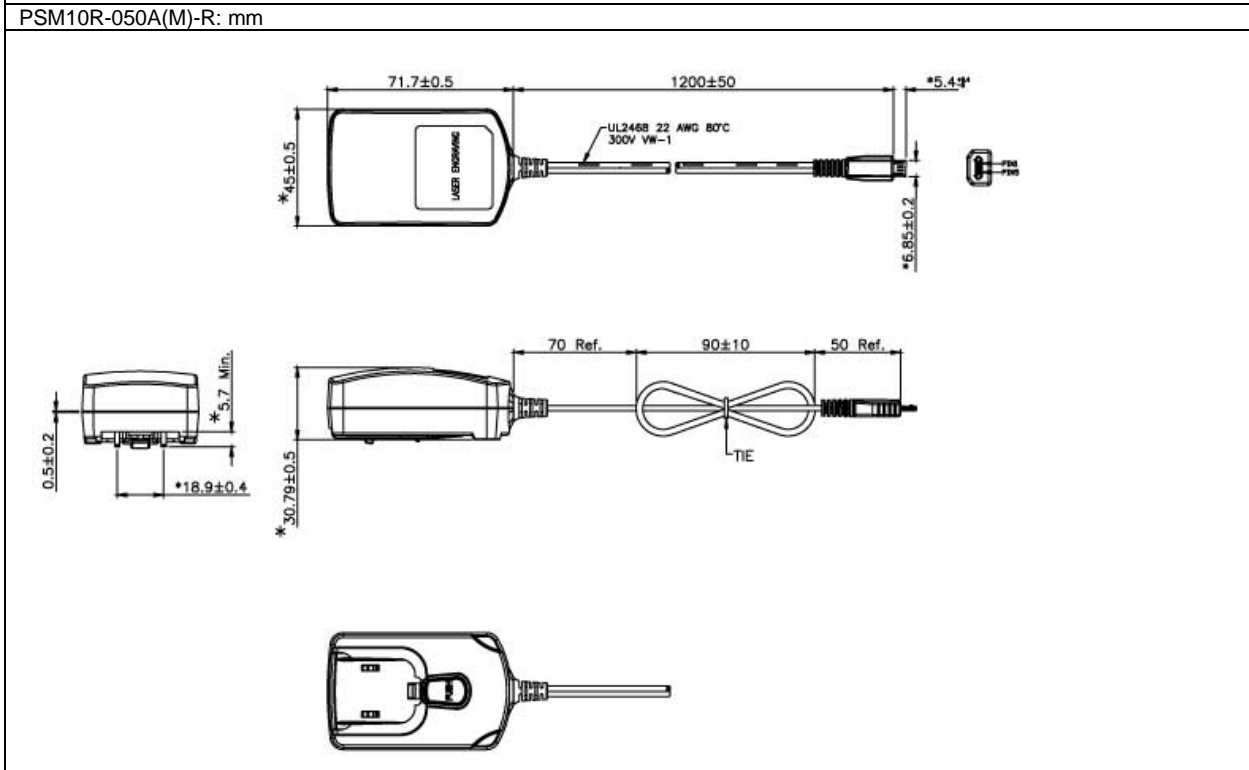
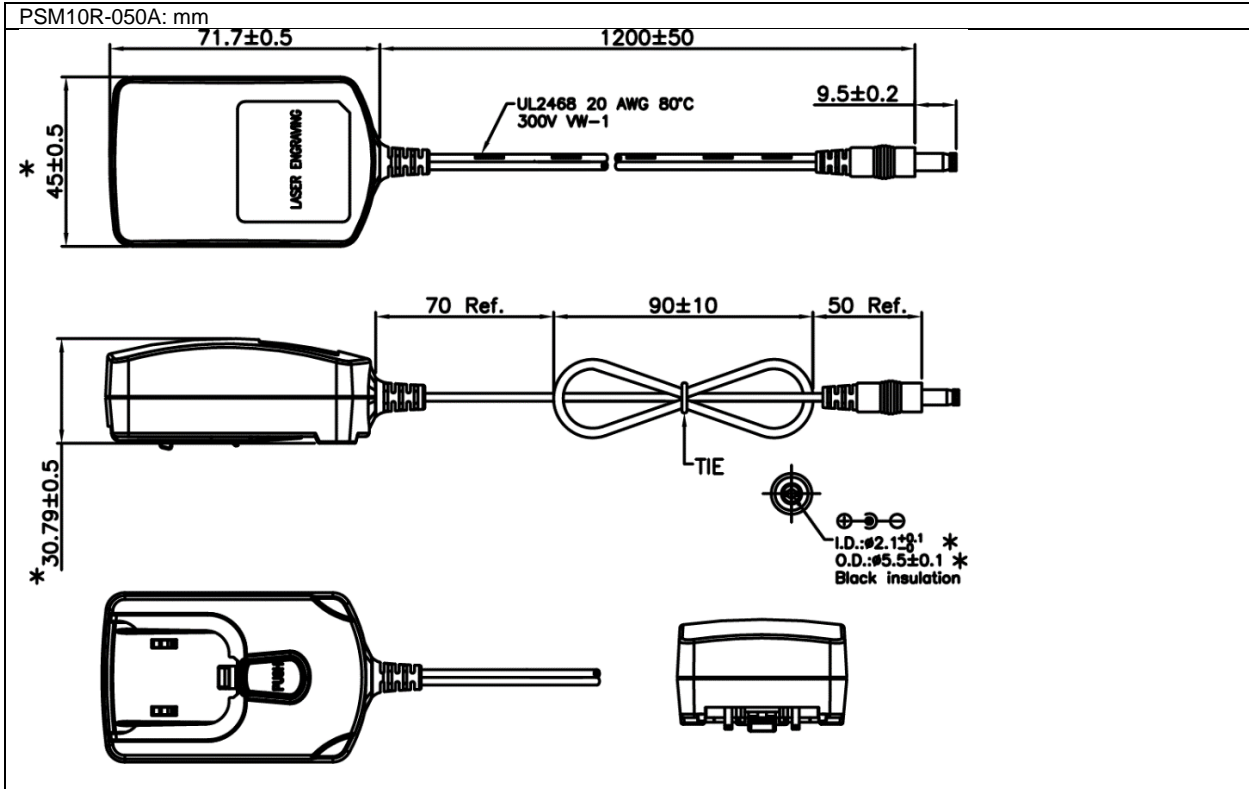


PSM10R Specifications¹

Model		PSM10R-050A-R	PSM10R-050A(M)-R ⁴
Output	DC Output Voltage	5.0V	5.0V
	Max Current	2.0A	2.0A
	Output Power	10.0W	10.0W
	Regulation	± 5%	± 5%
	Ripple & Noise P-P(max) ²	200mV	200mV
Input	AC Input Voltage Range	90 to 264VAC	
	AC Input Frequency	47 to 63Hz	
	Input Current	0.5A (RMS) max for 115Vac/max load 0.25A (RMS) max for 230Vac/max load	
	Inrush Current	30A for 120VAC, 60A for 240VAC (Cold start at ambient 25°C, full load)	
	No Load Power Consumption at 115VAC Input	0.0065W	
	No Load Power Consumption at 230VAC Input	0.074W	
	115VAC Average Efficiency ³	80.86%	
	230VAC Average Efficiency ³	81.06%	
	230VAC 10% Load Efficiency ³	80.55%	
	Leakage Current	0.25mA at 264VAC, 50Hz	
Protection	Over-Voltage	10.0V max	
	Short Circuit	The output can be shorted without damage	
	Over-Current	Auto-restart	
Environmental	Operating Temperature	0°C to +40°C	
	Non-Operating Temperature	-40° to +85°C	
	Operating Humidity	10% to 90%	
Safety Approvals and EMC	Dielectric Withstand (HI-POT)	Primary to Secondary: 3000VAC for 1min, 10mA	
	Insulation Resistance	Primary to Secondary: >7M ohm for 500VDC	
	Standards	cULus 60950-1, cULus 62368-1, IEC60950-1, IEC 62368-1, AS/NZS 62368.1:2018	
	EMI Emissions	FCC Part 15 Class B, CAN ICES-003(B)/NMB-003(B), EN 55032/CISPR 32 Class B Conducted and Radiated	
	Harmonic Current Emissions	IEC 61000-3-2	
	Voltage Fluctuations & Flicker	IEC 61000-3-3	
	Immunity	EN 55035/CISPR 35: IEC 61000-4-2 (+/- 8kV air, +/- 4kV contact), IEC 61000-4-3, IEC 61000-4-4, IEC 61000-4-5 (+/- 1kV), IEC 61000-4-6, IEC 61000-4-8, IEC 61000-4-11	
Mechanical	Dimensions (L x W x H)	71.7mm (2.82in) x 45.0mm (1.77in) x 30.79mm (1.21in)	
	Weight	68g	
	DC Cord	20AWG	22AWG
	DC Output Connector	2.1mm x 5.5mm x 9.5mm Barrel	USB Micro-B
Notes	<ol style="list-style-type: none"> The specifications defined are at ambient temperature of 25°C, unless otherwise specified. 20MHz bandwidth frequency oscilloscope, add a 0.1µF multilayer Cap. and Low ESR Electrolytic Cap. (10µF) at output connector terminals (nominal line voltage, full load). Efficiency is measured after 30 minutes burn-in. The charging scheme: Data Lines (Pins 2 and 3) Shorted 		



PSM10R Outline Drawings





Supplier's Declaration of Conformity
47 CFR § 2.1077 Compliance Information


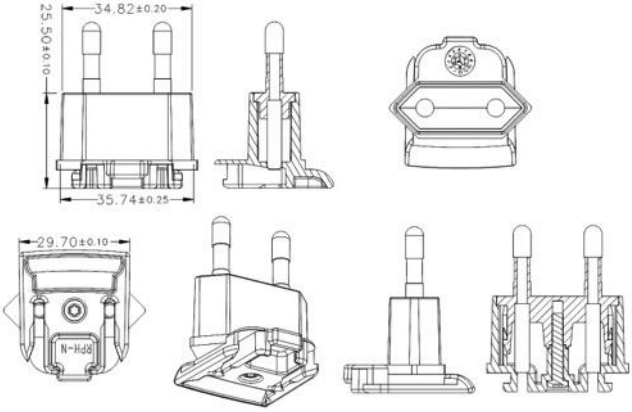

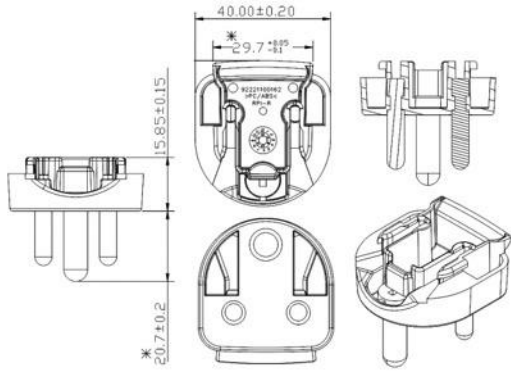

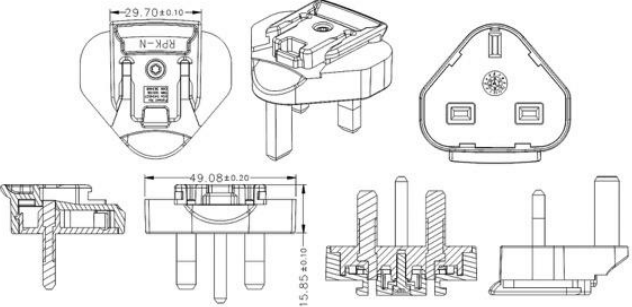

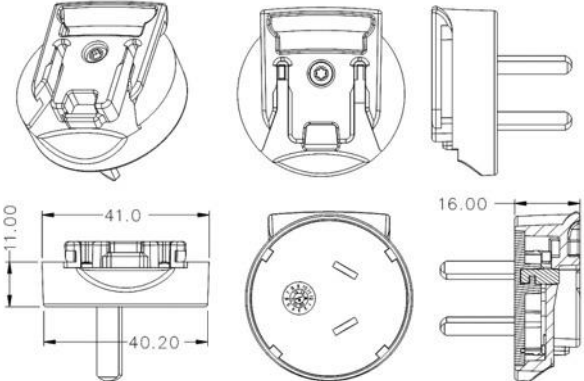
Phihong USA Corporation
47800 Fremont Boulevard
Fremont, CA 94538
Telephone: (510) 445-0100
www.phihong.com


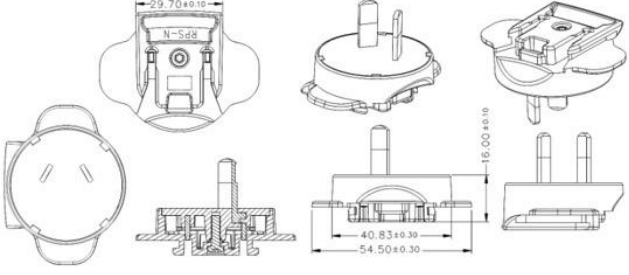

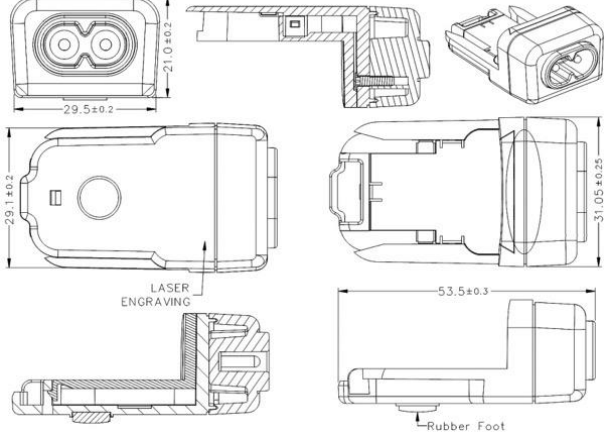
This device complies with/The devices in this product series comply with part 15 of the FCC Rules. Operation is subject to the following two conditions: (1) This device may not cause harmful interference, and (2) this device must accept any interference received, including interference that may cause undesired operation.



AC Input Clips – Sold Separately

Model	Photo	Description	Outline Drawing - mm
RPA-AB01B-H		US Clip	
RPB-AB01B-H		Brazil Clip	
RPC-AB01B-H		China Clip	
RPE-AB01B-H		Europe Clip	

Model	Photo	Description	Outline Drawing - mm
RPH-AB01B-H		Korea Clip	
RPI-AB01B-H		India Clip	
RPK-AB01B-H		UK Clip	
RPN-AB01B-H		Argentina Clip	

Model	Photo	Description	Outline Drawing - mm
RPS-AB01B-H		Australia Clip	
RPX-03-R		C8 Clip	
RPBAG-AB01VB-H	<p>Product package comes with RPA-AB01B-H, RPE-AB01B-H, RPK-AB01B-H and RPS-AB01B- in a plastic bag.</p> 