

Low PIM 4.3-10 Male to 4.3-10 Male Adapter

4.3-10 male to 4.3-10 male adapter part number FMAD1166 from Fairview Microwave is in-stock and ships same day. This Fairview 4.3-10 to 4.3-10 adapter has a male to male gender configuration in a low PIM design. FMAD1166 4.3-10 male to 4.3-10 male adapter operates to 6 GHz. The Fairview Microwave RF adapter provides excellent VSWR of 1.25: 1 maximum and passive intermodulation of -160 dBc maximum.

RF adapters can be used to enable connections between two connector types that would otherwise not mate. Certain RF adapter configurations can also be used to protect connectors on expensive equipment where the number of connect and disconnect cycles is high. An RF, microwave, or millimeter wave adapter is connected to the equipment and the commonly changed connection is made with the adapter which can be easily replaced when it wears out after high usage; such adapters are referred to as connector savers. Fairview Microwave also offers bulkhead, panel mount, hermetically sealed, reverse polarity, and isolated ground adapter varieties to serve all of your RF, microwave and millimeter wave needs.

Electrical Specifications

Description	Min	Typ	Max	Units
Frequency Range	DC		6	GHz
VSWR			1.25: 1	
Passive Intermodulation			-160	dBc
DWV (AC)			1,500	Vrms
Insulation Resistance	1,000			MOhms

Electrical Specification Notes:
 Values at 25° C, sea level.

Mechanical Specifications

Description	Connector 1	Connector 2
Type	4.3-10 Male	4.3-10 Male
Polarity	Standard	Standard
Mating Cycles	500	500

Material Specifications

Description	Connector 1	Connector 2
Type	4.3-10 Male	4.3-10 Male
Contact Material	Brass	Brass
Contact Plating	Silver	Silver
Insulation Material	PTFE	PTFE
Body Material	Brass	Brass
Body Plating	Tri-Metal	Tri-Metal
Gasket Material	Silicone Rubber	Silicone Rubber
Coupling Nut Material	Brass	Brass
Coupling Nut Plating	Tri-Metal	Tri-Metal



Configuration:

- 4.3-10 Male Connector 1
- 4.3-10 Male Connector 2
- 50 Ohm
- Low PIM Design
- Straight Body Geometry

Features:

- VSWR of 1.25: 1 max up to 6 GHz
- PIM levels better than -160 dBc
- Silver Plated Brass Contact

Applications:

- General Purpose Test
- Low PIM Applications
- Mobile Communications Systems
- Base Stations
- Distributed Antenna Systems (DAS)
- Small Cells
- Feeder Cables

Fairview Microwave
 301 Leora Ln., Suite 100
 Lewisville, TX 75056
 Tel: 1-800-715-4396 / (972) 649-6678
 Fax: (972) 649-6689
www.fairviewmicrowave.com
sales@fairviewmicrowave.com

Environmental Specifications

Temperature

Operating Range -40 to +155 deg C

Compliance Certifications (see [product page](#) for current document)

Plotted and Other Data

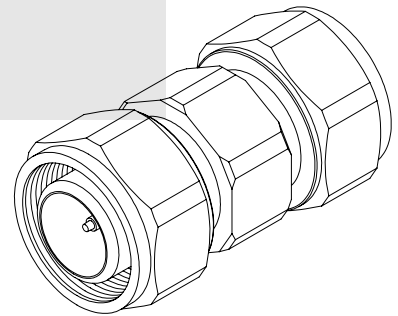
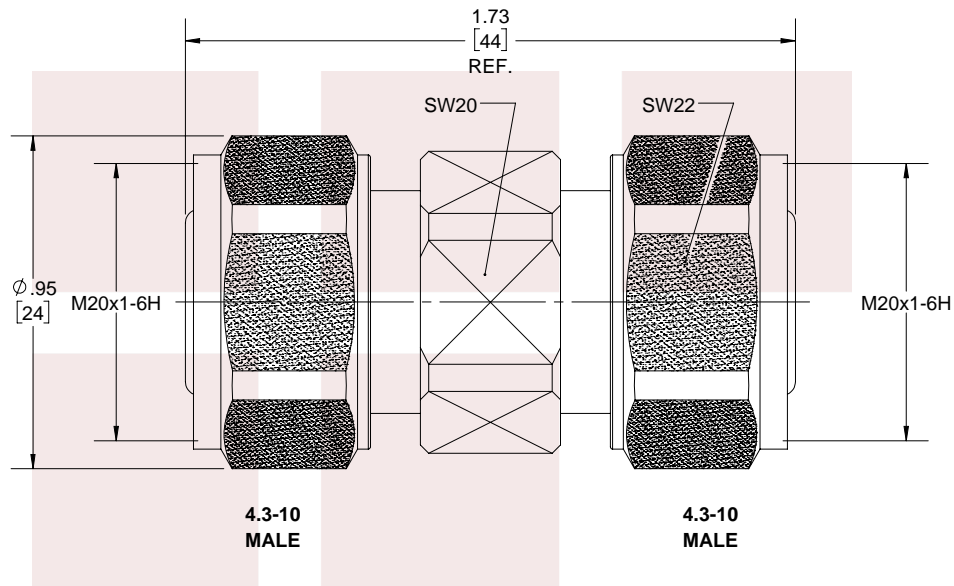
Notes:

Low PIM 4.3-10 Male to 4.3-10 Male Adapter from Fairview Microwave is in-stock and available to ship same-day. All of our RF/microwave products are available off-the-shelf from our ISO 9001:2008 certified facilities in Allen, Texas. Fairview Microwave is RF on-demand.

For additional information on this product, please click the following link: [Low PIM 4.3-10 Male to 4.3-10 Male Adapter FMAD1166](#)

URL: <https://www.fairviewmicrowave.com/low-pim-4.3-10-male-4.3-10-male-adapter-fmad1166-p.aspx>

The information contained in this document is accurate to the best of our knowledge and representative of the part described herein. It may be necessary to make modifications to the part and/or the documentation of the part, in order to implement improvements. Fairview Microwave reserves the right to make such changes as required. Unless otherwise stated, all specifications are nominal. Fairview Microwave does not make any representation or warranty regarding the suitability of the part described herein for any particular purpose, and Fairview Microwave does not assume any liability arising out of the use of any part or documentation.



STANDARD TOLERANCES

.X	±0.2
.XX	±0.01
.XXX	±0.005

*STANDARD TOLERANCES APPLY ONLY TO DIMENSIONS IN INCHES

NOTES:
 1. UNLESS OTHERWISE SPECIFIED ALL DIMENSIONS ARE NOMINAL.
 2. ALL SPECIFICATIONS ARE SUBJECT TO CHANGE WITHOUT NOTICE AT ANY TIME.
 3. DIMENSIONS ARE IN INCHES [mm].

TITLE Low PIM 4.3-10 Male to 4.3-10 Male Adapter	DWG NO FMAD1166		CAGE CODE 3FKR5		
	CAD FILE 12/03/18	SHEET 1 OF 1	SCALE N/A	SIZE A	CN2245