

1.8 dBi, VHF Rubber Duck Antenna, 136-174 MHz, BNC Connector, Vertical Polarization

The FMANRBD1006 rubber duck antenna from Fairview is part of our extensive line of directional antennas that we offer with global same-day shipping from our facilities certified to ISO 9001:2015. Fairview's high-quality single-band rubber duck antenna has a 1.8 dBi nominal gain and can be procured with no order limit. This rubber duck single-band 1.8 dBi antenna has a frequency range of 136 MHz to 174 MHz.

We lead the industry in supplying products like this 136 MHz to 174 MHz single-band antenna, along with other RF, microwave, and millimeter wave components. This rubber duck antenna from Fairview uses a BNC connector and has a maximum input power of 10 watts. Use our single-band rubber duck antenna with vertical polarization for fixed and mobile services, public safety or emergency services, trunking for two-way radio communications, marine or rail road communications, land mobile radio (LMR), PtP or PtMP, and P-25 applications.

Fairview's rubber duck antenna with 1.8 dBi gain has a BNC-type connector. This BNC-series connectorized omnidirectional antenna is 0.5 inches tall, 0.5 inches wide, and 6.69 inches long. The FMANRBD1006 VHF antenna has 360-degrees of horizontal and 90-degrees of vertical HPBW. Our high-quality antenna has a maximum input VSWR (voltage standing wave ratio) of 1.8:1.

Fairview's 50 Ohms impedance antenna can operate at temperatures ranging from -40 °C to 60 °C. This single-band rubber duck antenna is offered with expert technical support, PDF datasheets, and CAD drawings with dimensions and specifications. Order your 1.8 dBi VHF rubber duck antennas now and enjoy our international or domestic same-day shipping.

Configuration

Design	Rubber Duck
Gain	1.8
Polarization	Vertical
Connector Type	BNC

Electrical Specifications

Description	Min	Typ	Max	Units
Frequency Range	136		174	MHz
Input VSWR			1.8:1	
Impedance		50		Ohms
Gain		1.8		dBi
Horizontal (Azimuth) Beam Width		360		Degrees
Vertical (Elevation) Beam Width		90		Degrees
Input Power			10	Watts

Mechanical Specifications

Radome Material	ABS
Size	
Length	6.69 in [169.93 mm]
Width	0.5 in [12.7 mm]
Height	0.5 in [12.7 mm]
Weight	0.077 lbs [34.93 g]



Features:

- 136 MHz to 174 MHz, 1.8 dBi Gain
- BNC connector
- Heliflex whip antenna
- Plug and play
- 10W power handling
- VSWR < 1.8:1
- Vertical polarization

Applications:

- PtP or PtMP applications
- Trunking for two-way radio comms
- VHF applications
- Public Safety / Emergency services
- Marine / Rail road communications
- P-25 applications exclusively supported
- Land mobile radio (LMR)
- Fixed and mobile services

Fairview Microwave
 301 Leora Ln., Suite 100
 Lewisville, TX 75056
 Tel: 1-800-715-4396 / (972) 649-6678
 Fax: (972) 649-6689
www.fairviewmicrowave.com
sales@fairviewmicrowave.com

Environmental Specifications

Temperature

Operating Range -40 to +60 deg C

Compliance Certifications (see [product page](#) for current document)

Plotted and Other Data

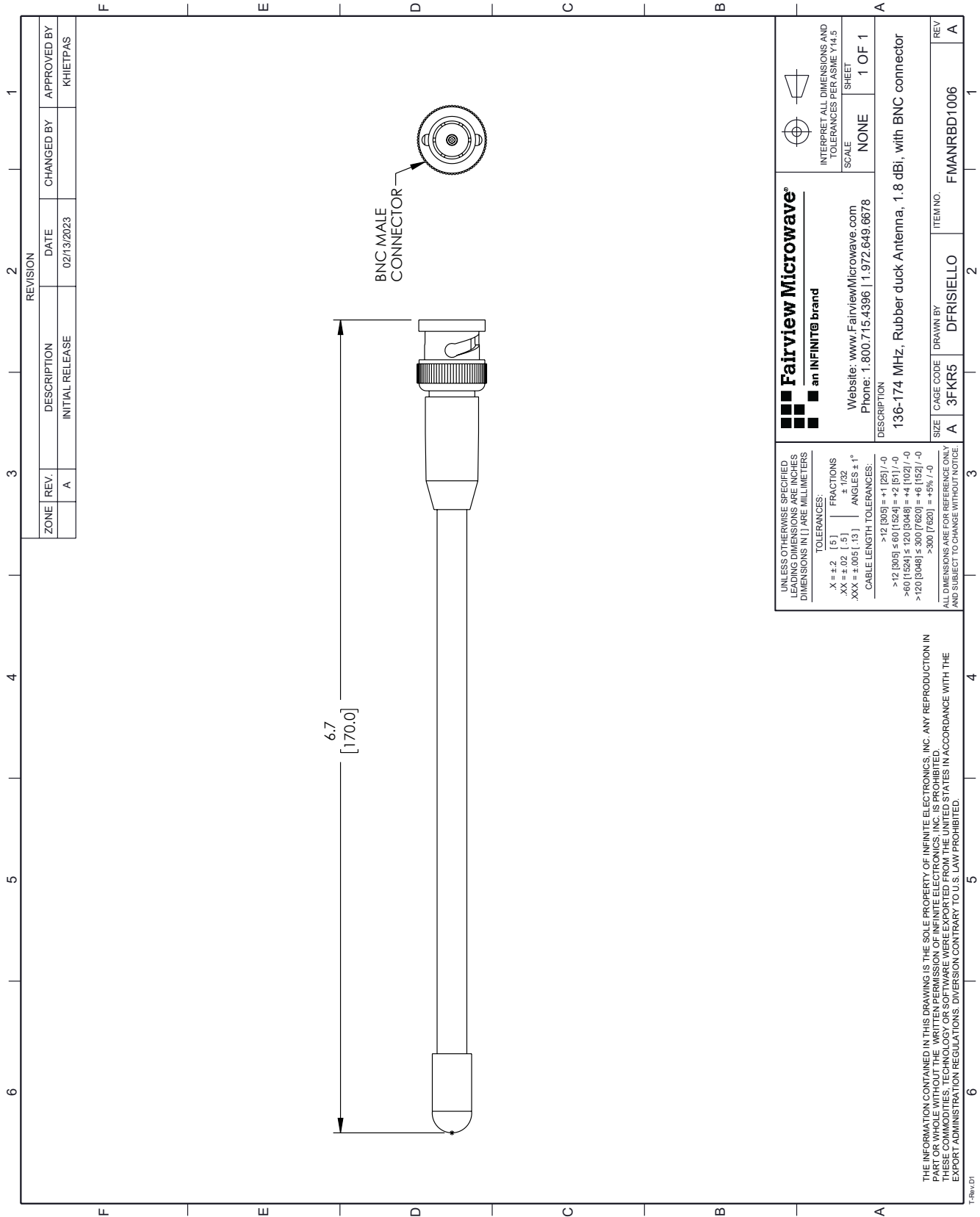
Notes:

1.8 dBi, VHF Rubber Duck Antenna, 136-174 MHz, BNC Connector, Vertical Polarization from Fairview Microwave is in-stock and available to ship same-day. All of our RF/microwave products are available off-the-shelf from our ISO 9001:2008 certified facilities in Lewisville, Texas. Fairview Microwave is RF on-demand.

For additional information on this product, please click the following link: [1.8 dBi, VHF Rubber Duck Antenna, 136-174 MHz, BNC Connector, Vertical Polarization FMANRBD1006](#)

URL: <https://www.fairviewmicrowave.com/1.8-dbi-vhf-rubber-duck-antenna-136-174-mhz-bnc-connector-vertical-polarization-fmanrbd1006-p.aspx>

The information contained in this document is accurate to the best of our knowledge and representative of the part described herein. It may be necessary to make modifications to the part and/or the documentation of the part, in order to implement improvements. Fairview Microwave reserves the right to make such changes as required. Unless otherwise stated, all specifications are nominal. Fairview Microwave does not make any representation or warranty regarding the suitability of the part described herein for any particular purpose, and Fairview Microwave does not assume any liability arising out of the use of any part or documentation.



REVISION		DATE	CHANGED BY	APPROVED BY
ZONE	REV.	DESCRIPTION	DATE	APPROVED BY
	A	INITIAL RELEASE	02/13/2023	KHIETPAS

Fairview Microwave[®] an INFINIT [®] brand		INTERPRET ALL DIMENSIONS AND TOLERANCES PER ASME Y14.5 SCALE: NONE SHEET: 1 OF 1
Website: www.FairviewMicrowave.com Phone: 1.800.715.4396 1.972.649.6678		DESCRIPTION: 136-174 MHz, Rubber duck Antenna, 1.8 dBi, with BNC connector
UNLESS OTHERWISE SPECIFIED, DIMENSIONS ARE IN MILLIMETERS UNLESS OTHERWISE NOTED. DIMENSIONS IN LARGE MILLIMETERS:	TOLERANCES: .X = ±.2 [.5] FRACTIONS ±.02 [.5] ANGLES ± 1° .XXX = ±.005 [.13]	CABLE LENGTH TOLERANCES: >12 [305] ≤ 60 [1524] = +1 [25] / -0 >60 [1524] ≤ 120 [3048] = +4 [102] / -0 >120 [3048] ≤ 300 [7620] = +6 [152] / -0 >300 [7620] = +5% / -0
ALL DIMENSIONS ARE FOR REFERENCE ONLY AND SUBJECT TO CHANGE WITHOUT NOTICE.		SIZE: A CAGE CODE: 3FKR5 DRAWN BY: DFRISIELLO ITEM NO.: FMANRBD1006 REV: A

THE INFORMATION CONTAINED IN THIS DRAWING IS THE SOLE PROPERTY OF INFINITE ELECTRONICS, INC. ANY REPRODUCTION IN WHOLE OR IN PART WITHOUT THE WRITTEN PERMISSION OF INFINITE ELECTRONICS, INC. IS PROHIBITED. THESE COMMODITY TECHNOLOGY OR SOFTWARE WERE EXPORTED FROM THE UNITED STATES IN ACCORDANCE WITH THE EXPORT ADMINISTRATION REGULATIONS. DIVERSION CONTRARY TO U.S. LAW PROHIBITED.