

## SSMC Jack Bulkhead PCB Connector .054 inch End Launch Solder Attachment

SSMC jack bulkhead connector with solder attachment for .054 inch end launch PCB, part number 2467-000-G91P-020, from Fairview Microwave is in-stock and ships same day. This SSMC jack connector operates up to a maximum frequency of 12.4 GHz and offers excellent VSWR of 1.2:1. Fairview's 2467-000-G91P-020 bulkhead SSMC connector enables designers to make external connections on product enclosures, and can be used in a variety of other rack mount and panel mount applications.

Fairview's SSMC jack bulkhead connector 2467-000-G91P-020 datasheet specifications and outline drawing are shown in this PDF below. Our extensive offering of RF, microwave and millimeter wave connectors allows designers to configure and customize their signal connections however they like. From providing an I/O for a board design to creating a custom cable assembly configuration, Fairview Microwave has a connector solution to meet your needs. Fairview Microwave also has the expertise to build your custom cable assemblies for you and ship them same-day.



### Configuration:

- SSMC Jack Connector
- 50 Ohms
- Straight Body Geometry
- .054 inch End Launch Interface Type
- Solder Attachment
- Bulkhead
- 3/16 inch Hex

### Electrical Specifications

Description	Min	Typ	Max	Units
Frequency Range	DC		12.4	GHz
VSWR			1.2:1	

### Performance by Frequency

Description	F1	F2	F3	F4	F5	Units
Freq. Range	DC to 1.5					GHz
Insertion Loss, Max	0.3					dB

### Mechanical Specifications

<b>Size</b>	
Length	0.69 in [17.53 mm]
Width/Dia.	0.156 in [3.96 mm]
Height	0.196 in [4.98 mm]
Weight	0.0065 lbs [2.95 g]
Mating Cycles	500 Cycles

### Material Specifications

Description	Material	Plating
Contact	Beryllium Copper	Gold
Insulation	PTFE	
Outer Conductor	Stainless Steel	Gold

### Environmental Specifications

<b>Temperature</b>	
Operating Range	-65 to +165 deg C

### Features:

- Operating Frequency of 12.4 GHz Max.
- Excellent VSWR of 1.2:1
- Gold Plated Beryllium Copper Contact

### Applications:

- General Purpose Test
- Rack and Panel Mount Applications
- Space Saving for PCB Applications

Fairview Microwave  
 301 Leora Ln., Suite 100  
 Lewisville, TX 75056  
 Tel: 1-800-715-4396 / (972) 649-6678  
 Fax: (972) 649-6689  
[www.fairviewmicrowave.com](http://www.fairviewmicrowave.com)  
[sales@fairviewmicrowave.com](mailto:sales@fairviewmicrowave.com)

Shock  
Vibration  
Salt Spray

MIL-STD Method 213 75G  
MIL-STD-22 Method 204 condition D  
MIL-STD-202 Method 101 condition B

**Compliance Certifications** (see [product page](#) for current document)

**Plotted and Other Data**

Notes:

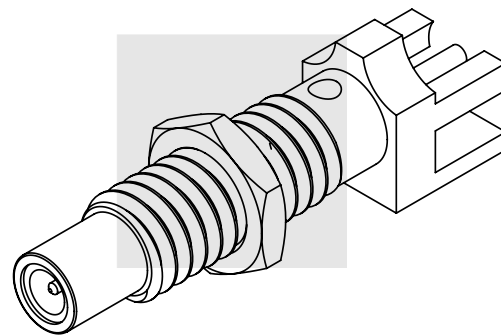
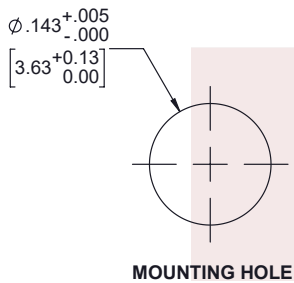
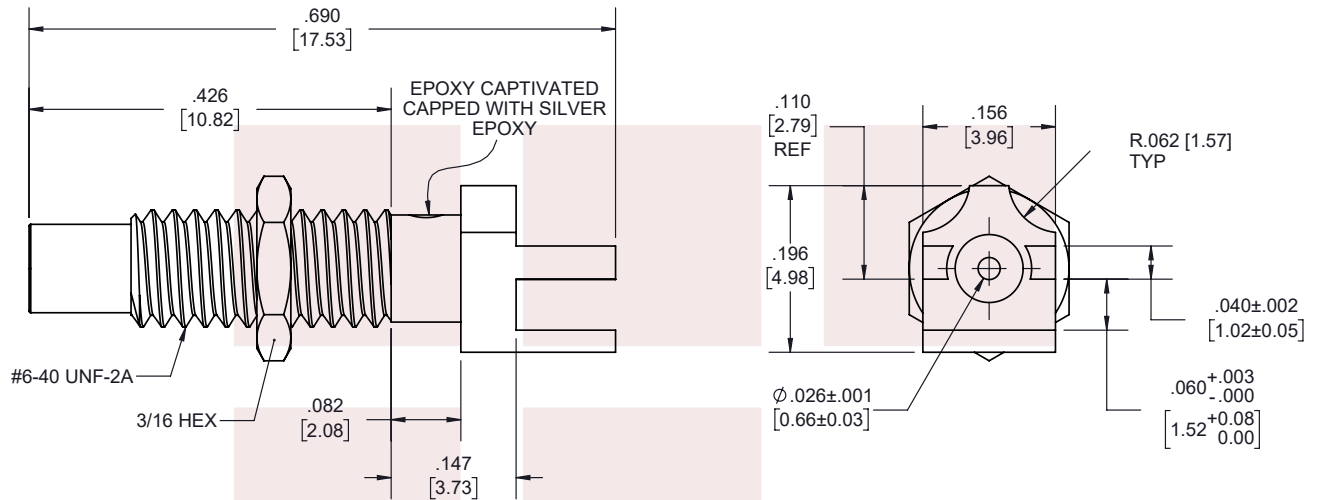
SSMC Jack Bulkhead PCB Connector .054 inch End Launch Solder Attachment from Fairview Microwave is in-stock and available to ship same-day. All of our RF/microwave products are available off-the-shelf from our ISO 9001:2008 certified facilities in Lewisville, Texas. Fairview Microwave is RF on-demand.

For additional information on this product, please click the following link: [SSMC Jack Bulkhead PCB Connector .054 inch End Launch Solder Attachment 2467-000-G91P-020](#)

URL: <https://www.fairviewmicrowave.com/ssmc-jack-.054-end-launch-pcb-connector-2467-000-g91p-020-p.aspx>

The information contained in this document is accurate to the best of our knowledge and representative of the part described herein. It may be necessary to make modifications to the part and/or the documentation of the part, in order to implement improvements. Fairview Microwave reserves the right to make such changes as required. Unless otherwise stated, all specifications are nominal. Fairview Microwave does not make any representation or warranty regarding the suitability of the part described herein for any particular purpose, and Fairview Microwave does not assume any liability arising out of the use of any part or documentation.

REVISIONS			
REV.	DESCRIPTION	DATE	APPROVED
A	INITIAL RELEASE	12/1/2020	S.ELLIS



THESE COMMODITIES, TECHNOLOGY OR SOFTWARE WERE EXPORTED FROM THE UNITED STATES IN ACCORDANCE WITH THE EXPORT ADMINISTRATION REGULATIONS. DIVERSION CONTRARY TO U.S. LAW PROHIBITED.

TITLE  
SSMC Jack Bulkhead PCB Connector .054 inch End Launch Solder Attachment

UNLESS OTHERWISE SPECIFIED LEADING DIMENSIONS ARE INCHES DIMENSIONS IN ( ) ARE MILLIMETERS		THIRD-ANGLE PROJECTION	
TOLERANCES:		CABLE LENGTH (L) TOLERANCES:	
X = ±.2 [5.08] FRACTIONS	L ≤ 12 [305] = +1 [25] / -0	THE INFORMATION AND DESIGN IN THIS DOCUMENT IS THE PROPERTY OF FAIRVIEW MICROWAVE CORPORATION. ALL RIGHTS RESERVED.	
.XX = ±.02 [.51] ± 1/32	12 [305] < L ≤ 60 [1524] = +2 [51] / -0	SHEET 1 OF 1	
.XXX = ±.005 [.13] ANGLES ± 1°	60 [1524] < L ≤ 120 [3048] = +4 [102] / -0	SCALE N/A	
	120 [3048] < L ≤ 300 [7620] = +6 [152] / -0	ALL DIMENSIONS SHOWN ARE FOR REFERENCE ONLY.	
	300 [7620] < L = +5%L / -0	SIZE A CAGE CODE 3FKR5 DRAWN BY K.DANG ITEM NO. 2467-000-G91P-020 REV A	

T-Rev.D