

MINIATURE FLUSH DIAPHRAGM PRESSURE TRANSDUCER

1/4 NPT PRESSURE CONNECTION

mV/V Output
0-50 to 0-5000 psi
0-3.4 to 0-345 bar

PX61C Series
All Ranges

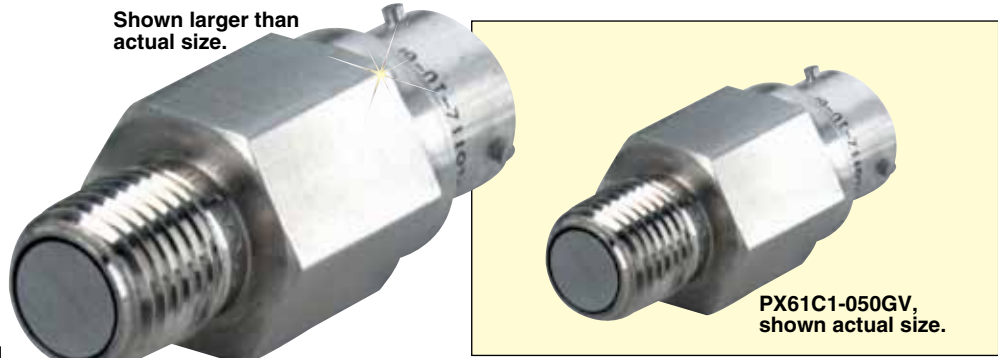


- ✓ Miniature Flush Diaphragm
- ✓ Flush Diaphragm for Precise Measurements
- ✓ All Welded Construction

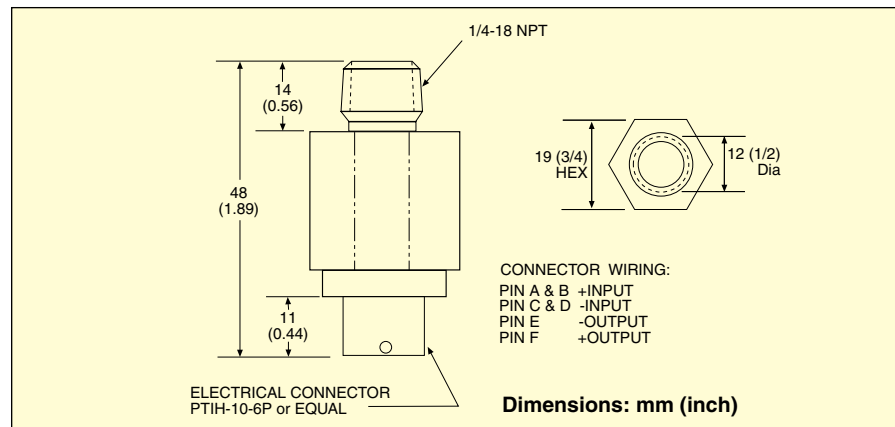
SPECIFICATIONS

Excitation: 5 Vdc
Output Range: Range @ 50 psi = 1 mV/V; range >100 psi: 2 mV/V
Bridge Resistance: 350 Ω nominal
Zero Balance: ±1.0% of FSO
Accuracy: 1.0% linearity and hysteresis combined; calibrated at 0%, 50%, 100%, 50%, 0%
Repeatability: 0.1% of FSO
Operating Temperature Range: -54 to 121°C (-65 to 250°F)
Compensated Temperature Range: 16 to 71°C (60 to 160°F)
Thermal Effects:
Zero: ±0.01% FS/°F
Span: ±0.02% FSO/°F
Proof Pressure: 150% of capacity
Burst Pressure: 500% of capacity or 10,000 psi, whichever is less
Electrical Connections: PTIH-10-6P connector
Mating Connector: PT06F10-6S-R (sold separately)
Pressure Connection: 1/4-18 NPT
Wetted Parts: 17-4 PH stainless steel
Weight: 50 g (0.55 oz)

Shown larger than actual size.



PX61C1-050GV, shown actual size.



To Order

RANGE	MODEL NO.	COMPATIBLE METERS*
ABSOLUTE PRESSURE (All Ranges Available in Absolute Pressure)		
0 to 50 psi	0 to 3.4 bar	PX61C1-050AV DP41-S, DP25B-S
0 to 100 psi	0 to 6.9 bar	PX61C1-100AV DP41-S, DP25B-S
GAGE PRESSURE (All Ranges Also Available in Sealed Gage Pressure)		
0 to 50 psi	0 to 3.4 bar	PX61C1-050GV DP41-S, DP25B-S
0 to 100 psi	0 to 6.9 bar	PX61C1-100GV DP41-S, DP25B-S
0 to 200 psi	0 to 13.8 bar	PX61C1-200GV DP41-S, DP25B-S
0 to 300 psi	0 to 20.7 bar	PX61C1-300GV DP41-S, DP25B-S
0 to 500 psi	0 to 34.5 bar	PX61C1-500GV DP41-S, DP25B-S
0 to 1000 psi	0 to 68.9 bar	PX61C1-1KGV DP41-S, DP25B-S
0 to 2500 psi	0 to 172 bar	PX61C1-2.5KGV DP41-S, DP25B-S
0 to 4000 psi	0 to 276 bar	PX61C1-4KGV DP41-S, DP25B-S
0 to 5000 psi	0 to 345 bar	PX61C1-5KGV DP41-S, DP25B-S

Comes complete with 5-point NIST-traceable calibration.

* Visit us online for compatible meters.

Metric ranges available – Consult Engineering.

To order sealed gage pressure models, replace “G” in model number with “S” (no extra charge).

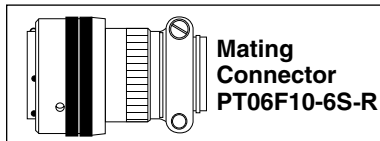
To order absolute pressure models, replace “G” in model number with “A” (no extra charge).

Ordering Examples: **PX61C1-100AV**, 100 psi absolute pressure transducer with PTIH-10-6P electrical connection and 1/4-18 NPT male pressure port. **PT06F10-6S-R**, mating connector (sold separately).

PX61C1-100SV, 100 psi sealed gage pressure transducer with PTIH-10-6P electrical connection and 1/4-18 NPT male pressure port. **PT06F10-6S-R**, mating connector (sold separately).

ACCESSORY

MODEL NO.	DESCRIPTION
PT06F10-6S-R	Mating connector for PX61C series transducers

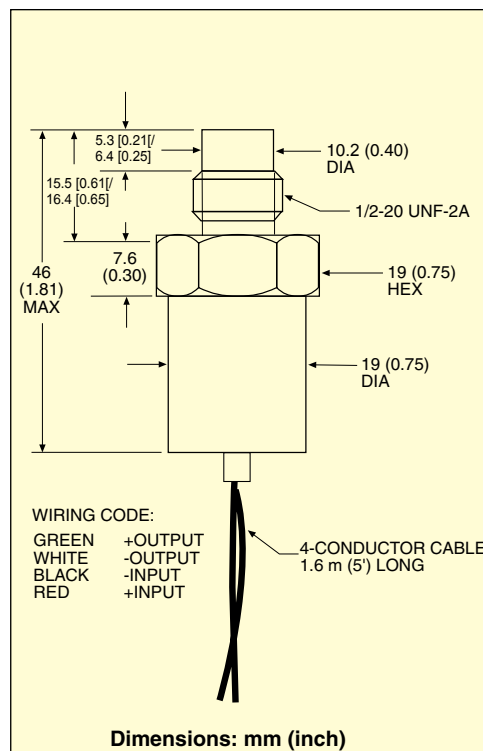
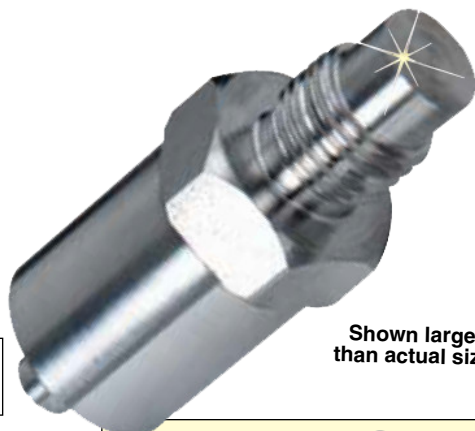


MINIATURE FLUSH DIAPHRAGM PRESSURE TRANSDUCER

1/2-20 UNF PRESSURE CONNECTION

mV/V Output
0-50 to 0-15,000 psi
0-3 to 0-1000 bar

PX61V Series
All Ranges



- Miniature Flush Diaphragm
- All Stainless Steel Construction
- Available in psia, psis, psig, and Metric Ranges

SPECIFICATIONS

Excitation: 5 Vdc
Output: 2 mV/V -20% +50% (1 mV/V 50 psi ranges)
Accuracy: 1.0% linearity and hysteresis combined
Repeatability: ±0.1% of FSO
Balance: ±2.0% of FSO
Bridge Resistance: 350 Ω nominal
Operating Temperature Range: -54 to 121°C (-65 to 250°F)
Compensated Temperature Range: 16 to 71°C (60 to 160°F)
Thermal Effects:
Zero: ±0.01% FS/°F
Span: ±0.02% FSO/°F
Proof Pressure: 150% of capacity
Burst Pressure Minimum: 300% of capacity or 30,000 psi, whichever is less
Electrical Connections: 1.5 m (5'); 4-conductor cable or PTIH-10-6P connector
Pressure Connection: 1/2-20 UNF-2A
Wetted Parts: 17-4 PH stainless steel

ACCESSORY

MODEL NO.	DESCRIPTION
PT06F10-6S-R	Mating connector for PX61V1 series transducers

To Order

RANGE		MODEL NO.	COMPATIBLE METERS**
ABSOLUTE PRESSURE (All Ranges Available in Absolute Pressure)			
0 to 50 psi	0 to 3.4 bar	PX61V[*]-050AV	DP41-S, DP25B-S
0 to 100 psi	0 to 6.9 bar	PX61V[*]-100AV	DP41-S, DP25B-S
GAGE PRESSURE (All Ranges Also Available in Sealed Gage Pressure)			
0 to 50 psi	0 to 3.4 bar	PX61V[*]-050GV	DP41-S, DP25B-S
0 to 100 psi	0 to 6.9 bar	PX61V[*]-100GV	DP41-S, DP25B-S
0 to 150 psi	0 to 10.3 bar	PX61V[*]-150GV	DP41-S, DP25B-S
0 to 200 psi	0 to 13.8 bar	PX61V[*]-200GV	DP41-S, DP25B-S
0 to 300 psi	0 to 20.7 bar	PX61V[*]-300GV	DP41-S, DP25B-S
0 to 500 psi	0 to 34.5 bar	PX61V[*]-500GV	DP41-S, DP25B-S
0 to 1000 psi	0 to 68.9 bar	PX61V[*]-1KGV	DP41-S, DP25B-S
0 to 2500 psi	0 to 172 bar	PX61V[*]-2.5KGV	DP41-S, DP25B-S
0 to 5000 psi	0 to 345 bar	PX61V[*]-5KGV	DP41-S, DP25B-S
0 to 10,000 psi	0 to 689 bar	PX61V[*]-10KGV	DP41-S, DP25B-S
0 to 15,000 psi	0 to 1034 bar	PX61V[*]-15KGV	DP41-S, DP25B-S†

Comes complete with 5-point NIST-traceable calibration. Metric ranges available – Consult Engineering.

† 4-digit meter, counts in increments of 10.

** Visit us online for compatible meters.

[*] To order cable style insert "0", to order connector style insert "1".

To order psia models, replace "G" in model number with "A".

To order psis models, replace "G" in model number with "S".

Ordering Examples: PX61V0-100AV, 100 psi absolute pressure transducer with 1.5 m (5') cable and 1/2-20 UNF male pressure port.

PX61V0-100SV, 100 psi sealed gage pressure transducer with 1.5 m (5') cable and 1/2-20 UNF male pressure port.



MILLIVOLT OUTPUT
 PRESSURE TRANSDUCERS
B