

ALL STAINLESS STEEL "S" BEAM LOAD CELLS HIGH ACCURACY, ECONOMICAL PRICE STANDARD AND METRIC MODELS



Tension/Compression
0-25 lb to 0-40,000 lb
0-10 kgf to 0-10,000 kgf

LC101/LCM101 Series LC111/LCM111 Series



- ✓ All Stainless Steel for Harsh Industrial Applications
- ✓ 0.25% Interchangeability for Multiple Load Cell Applications
- ✓ 5-Point Calibration Provided (in Tension)

SPECIFICATIONS

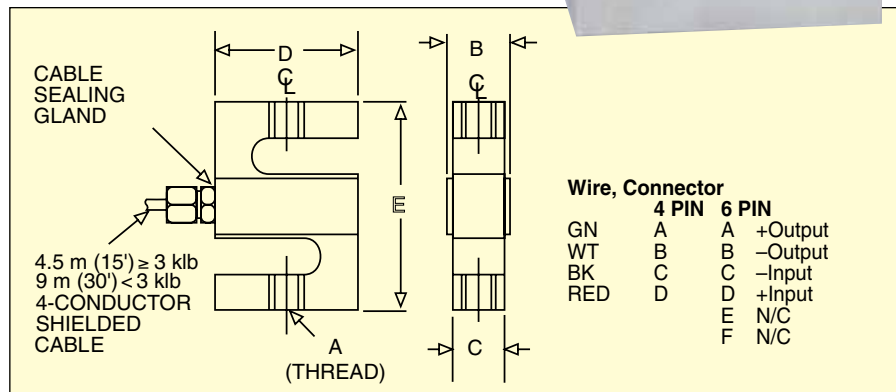
Excitation: 10 Vdc, 15 Vdc maximum
Output: 3 mV/V \pm 0.0075 mV/V
Linearity: \pm 0.03% FSO (0.1% 40 K)
Hysteresis: \pm 0.02% FSO (0.1% 40 K)
Repeatability: \pm 0.01% FSO (0.05% 40 K)
Zero Balance: \pm 1% FSO
Operating Temp Range:
 -40 to 93°C (-40 to 200°F)
Compensated Temp Range:
 17 to 71°C (60 to 160°F)
Thermal Effects:
 Zero: 0.002% FSO/°C
 Span: 0.002% FSO/°C
Safe Overload: 150% of capacity
Ultimate Overload: 300% of capacity
Input Resistance: 350 \pm 10 Ω
Output Resistance: 350 \pm 10 Ω
Full Scale Deflection: 0.010 to 0.020"
Construction: 17-4 PH stainless steel
Electrical (LC101/LCM101)
(4-Conductor Shielded Cable):
 <100 kgf/250 lb: 9 m (30') 24 AWG
 250 to 1000 kgf/250 to 2000 lb:
 9 m (30') 20 AWG
 \geq 1500 kgf/3000 lb: 4.5 m (15') 20
 AWG
Mating Connector (LC111/LCM111):
 \leq 100 kgf/200 lb: PT06F8-4S-R,
 sold separately
 \geq 250 kgf/250 lb: PT06F10-6S-R,
 sold separately

STANDARD
LC101-2K
shown slightly
smaller than
actual size.



Optional rod end,
REC-012M.

Optional
load button,
LBC-012.

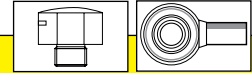


Dimensions: mm (inch)

CAPACITY	A	B	C	D	E	WEIGHT kg (lb)
lb						
25 to 200	1/4-28	19 (0.75)	13 (0.50)	38 (1.5)	64 (2.5)	0.45 (1.0)
250 to 2.5K	1/2-20	32 (1.25)	25 (1.0)	51 (2.0)	76 (3.0)	1.1 (2.5)
3K to 5K	5/8-18	32 (1.25)	25 (1.0)	51 (2.5)	89 (3.5)	1.6 (3.5)
10K to 20K	1-14	44 (1.75)	38 (1.5)	76 (3.0)	108 (4.3)	2.0 (4.5)
25K to 30K	1-14	57 (2.25)	51 (2.0)	102 (4.0)	108 (4.3)	4 (9)
40K	1 1/4-12	83 (3.25)	76 (3.0)	102 (4.0)	140 (5.5)	6 (13)
kgf						
10 to 100	M6 x 1.00	19 (0.75)	13 (0.50)	38 (1.5)	64 (2.5)	0.45 (1.0)
250 to 1000	M12 x 1.75	32 (1.25)	25 (1.0)	51 (2.0)	76 (3.0)	1.1 (2.5)
1500 to 2000	M16 x 2.0	32 (1.25)	25 (1.0)	51 (2.5)	89 (3.5)	1.6 (3.5)
5K to 10K	M24 x 2.00	44 (1.75)	38 (1.5)	76 (3.0)	108 (4.3)	2.0 (4.5)

ALL STAINLESS STEEL "S" BEAM LOAD CELLS HIGH ACCURACY, ECONOMICAL PRICE

**STANDARD AND
METRIC MODELS**



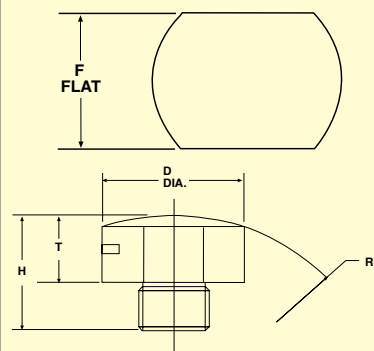
STANDARD LOAD BUTTONS

MODEL NO.	THREAD
LBC-014	¼-28
LBC-012	½-20
LBC-058	⅝-18
LBC-100	1-14
LBC-114	1¼-12

METRIC LOAD BUTTONS

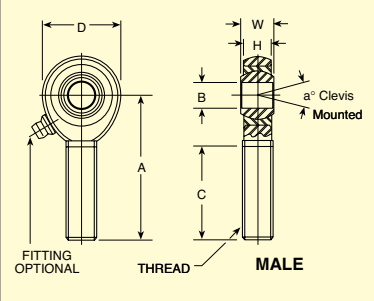
MODEL NO.	THREAD
MLBC-M6	M6 x 1.0
MLBC-M12	M12 x 1.75
MLBC-M16	M16 x 2.0
MLBC-M24	M24 x 2.0

Load Button Dimensions



Visit us online for dimensions.

Rod End Dimensions



To Order

CAPACITY		MODEL		COMPATIBLE METERS*	LOAD BUTTON	ROD END
lb	kgf	CABLE	CONNECTOR		MODEL NO.	MODEL NO.
STANDARD MODELS						
25	—	LC101-25	LC111-25	DP41-S, DP25B-S	LBC-014	REC-014M
50	—	LC101-50	LC111-50	DP41-S, DP25B-S	LBC-014	REC-014M
100	—	LC101-100	LC111-100	DP41-S, DP25B-S	LBC-014	REC-014M
200	—	LC101-200	LC111-200	DP41-S, DP25B-S	LBC-014	REC-014M
250	—	LC101-250	LC111-250	DP41-S, DP25B-S	LBC-012	REC-012M
500	—	LC101-500	LC111-500	DP41-S, DP25B-S	LBC-012	REC-012M
1000	—	LC101-1K	LC111-1K	DP41-S, DP25B-S	LBC-012	REC-012M
2000	—	LC101-2K	LC111-2K	DP41-S, DP25B-S	LBC-012	REC-012M
3000	—	LC101-3K	LC111-3K	DP41-S, DP25B-S	LBC-058	REC-058M
5000	—	LC101-5K	LC111-5K	DP41-S, DP25B-S	LBC-058	REC-058M
10,000	—	LC101-10K	LC111-10K	DP41-S, DP25B-S	LBC-100	REC-100M
20,000	—	LC101-20K	LC111-20K	DP41-S, DP25B-S	LBC-100	REC-100M
25,000	—	LC101-25K	LC111-25K	DP41-S, DP25B-S	LBC-100	REC-100M-1
30,000	—	LC101-30K	LC111-30K	DP41-S, DP25B-S	LBC-100	REC-100M-1
40,000	—	LC101-40K	LC111-40K	DP41-S, DP25B-S	LBC-114	REC-114M
METRIC MODELS						
—	10	LCM101-10	LCM111-10	iSeries, DP41-S, DP25B-S	MLBC-M6	MREC-M6M
—	25	LCM101-25	LCM111-25	iSeries, DP41-S, DP25B-S	MLBC-M6	MREC-M6M
—	50	LCM101-50	LCM111-50	iSeries, DP41-S, DP25B-S	MLBC-M6	MREC-M6M
—	100	LCM101-100	LCM111-100	iSeries, DP41-S, DP25B-S	MLBC-M6	MREC-M6M
—	250	LCM101-250	LCM111-250	iSeries, DP41-S, DP25B-S	MLBC-M12	MREC-M12M
—	500	LCM101-500	LCM111-500	iSeries, DP41-S, DP25B-S	MLBC-M12	MREC-M12M
—	1000	LCM101-1K	LCM111-1K	iSeries, DP41-S, DP25B-S	MLBC-M12	MREC-M12M
—	1500	LCM101-1.5K	LCM111-1.5K	iSeries, DP41-S, DP25B-S	MLBC-M16	MREC-M16M
—	2000	LCM101-2K	LCM111-2K	iSeries, DP41-S, DP25B-S	MLBC-M16	MREC-M16M
—	5000	LCM101-5K	LCM111-5K	iSeries, DP41-S, DP25B-S	MLBC-M24	MREC-M24M
—	10,000	LCM101-10K	LCM111-10K	iSeries, DP41-S, DP25B-S	MLBC-M24	MREC-M24M

ACCESSORIES

MODEL NO.	DESCRIPTION
PT06F8-4S-R	Mating connector for LC111/LCM111 series load cells, 200 lb, <100 kg
PT06F10-6S-R	Mating connector for LC111/LCM111 series load cells, 250 lb, >250 kg
CA-4PC24-2A-015	LC111/LCM111 series load cells, 200 lb, < 100 kg, cable assembly with 4 pin connector
CA-4PC24-2-015	LC111/LCM111 series load cells, 250 lb, > 250 kg, cable assembly with 6 pin connector

Comes complete with 5-point NIST-traceable calibration and 59 kΩ shunt data.

* Visit us online for compatible meters.

To order connector style, change model number to LC111, no extra charge. Mating connector sold separately.

Ordering Examples: LC111-200, 200 lb capacity connector-style load cell.
LCM111-100, 100 kgf capacity connector-style load cell. PT06F8-4S-R, mating connector, REC-014M, matching rod end, LBC-014, matching load button.
LC101-5K, 5000 lb capacity cable-style load cell. REC-058M, matching rod end.

ROD ENDS

To Order										Dimensions: mm (inch)
MALE ROD ENDS	THREAD	B	W	H	A	D	C	a°	STATIC LOAD lb	
REC-014M	¼-28 UNF	5 (0.190)	8 (0.312)	6 (0.250)	40 (1.562)	19 (0.750)	25 (1.000)	10	2158	
REC-012M	½-20 UNF	11 (0.4375)	14 (0.562)	11 (0.437)	62 (2.438)	33 (1.312)	38 (1.500)	12	23,452	
REC-058M	⅝-18 UNF	13 (0.5000)	16 (0.625)	13 (0.500)	67 (2.625)	38 (1.500)	41 (1.625)	10	31,390	
REC-100M	1-14 UNF	25 (1.000)	35 (1.375)	25 (1.000)	105 (4.125)	70 (2.750)	545 (2.120)	14	43,541	
REC-114M	1¼-12 UNF	32 (1.250)	28 (1.093)	24 (0.937)	105 (4.125)	70 (2.750)	54 (2.125)	7	44,500	
MREC-M6M	M6 x 1.0	6 (0.236)	9 (0.354)	7 (0.275)	36 (1.417)	19 (0.748)	22 (0.866)	13	17,720	
MREC-M12M	M12 x 1.75	12 (0.472)	16 (0.630)	12 (0.472)	54 (2.126)	30 (1.181)	33 (1.300)	17	44,490	
MREC-M16M	M16 x 2.0	16 (0.630)	21 (0.826)	14.25 (0.561)	66 (2.598)	38 (1.496)	40 (1.575)	23	76,291	
MREC-M24M	M24 x 2.0	25 (0.984)	31 (1.220)	22 (0.866)	95 (3.740)	60 (2.362)	57 (2.244)	19	251,780	