

# Product data sheet

Specifications



Pendant control station, Harmony XAC, plastic, yellow, pistol grip, 2 push buttons with NO+NC

XACA205

## Main

Range Of Product	Harmony XAC
Product Or Component Type	Pendant control station
Device Short Name	XACA pistol grip

## Complementary

Control Station Type	Double insulated
Enclosure Material	Polypropylene
Control Type	Intuitive
Electrical Circuit Type	Control circuit
Enclosure Type	Complete ready for use
Control Station Application	Control of single speed hoist motor
Control Station Composition	2 push-buttons
Control Button Type	First push-button 1 NC + 1 NO raise, slow Second push-button 1 NC + 1 NO lower, slow
Product Compatibility	ZB2BE102 + ZB2BE101 for each direction
Mechanical Interlocking	With mechanical interlocking
Control Station Colour	Yellow
Connections - Terminals	Screw clamp terminals, 1 x 2.5 mm <sup>2</sup> with or without cable end Screw clamp terminals, 2 x 1.5 mm <sup>2</sup> with or without cable end
Standards	UL 508 EN/IEC 60947-5-1 CSA C22.2 No 14 EN/IEC 60204-32
Product Certifications	UL CSA
Protective Treatment	TH
Ambient Air Temperature For Operation	-13...158 °F (-25...70 °C)
Ambient Air Temperature For Storage	-40...158 °F (-40...70 °C)
Vibration Resistance	15 gn 10...500 Hz)IEC 60068-2-6
Shock Resistance	100 gn IEC 60068-2-27
Overvoltage Category	Class II IEC 61140
Ip Degree Of Protection	IP65 conforming to IEC 60529
Ik Degree Of Protection	IK08 EN 50102

Price is "List Price" and may be subject to a trade discount – check with your local distributor or retailer for actual price.

<b>Mechanical Durability</b>	1000000 cycles
<b>Cable Entry</b>	Rubber sleeve with stepped entry 0.28...0.59 in (7...15 mm)
<b>Contact Code Designation</b>	A600 AC-15, Ue = 240 V, Ie = 3 A IEC 60947-5-1 appendix A A600 AC-15, Ue = 600 V, Ie = 1.2 A IEC 60947-5-1 appendix A Q600 DC-13, Ue = 250 V, Ie = 0.27 A IEC 60947-5-1 appendix A Q600 DC-13, Ue = 600 V, Ie = 0.1 A IEC 60947-5-1 appendix A
<b>[Ithe] Conventional Enclosed Thermal Current</b>	10 A
<b>[UI] Rated Insulation Voltage</b>	600 V 3)IEC 60947-1
<b>[Uimp] Rated Impulse Withstand Voltage</b>	6 kV IEC 60947-1
<b>Contact Operation</b>	Slow-break
<b>Maximum Resistance Across Terminals</b>	25 MOhm
<b>Operating Force</b>	13...15 N
<b>Short-Circuit Protection</b>	10 A fuse protection cartridge gG
<b>Rated Operational Power In W</b>	40 W DC-13 1000000 cycles 60 cyc/mn 120 V 0.5 inductive IEC 60947-5-1 appendix C 48 W DC-13 1000000 cycles 60 cyc/mn 48 V 0.5 inductive IEC 60947-5-1 appendix C 65 W DC-13 1000000 cycles 60 cyc/mn 24 V 0.5 inductive IEC 60947-5-1 appendix C
<b>Terminals Description Iso N°1</b>	(11-12)NC (13-14)NO
<b>Terminal Identifier</b>	(11-12)NC (13-14)NO
<b>Net Weight</b>	0.66 lb(US) (0.3 kg)

## Ordering and shipping details

<b>Category</b>	US10CS222473
<b>Discount Schedule</b>	0CS2
<b>Gtin</b>	3389110645026
<b>Returnability</b>	Yes
<b>Country Of Origin</b>	FR

## Packing Units

<b>Unit Type Of Package 1</b>	PCE
<b>Number Of Units In Package 1</b>	1
<b>Package 1 Height</b>	2.48 in (6.300 cm)
<b>Package 1 Width</b>	3.78 in (9.600 cm)
<b>Package 1 Length</b>	11.46 in (29.100 cm)
<b>Package 1 Weight</b>	9.95 oz (282.000 g)
<b>Unit Type Of Package 2</b>	S03
<b>Number Of Units In Package 2</b>	15
<b>Package 2 Height</b>	11.81 in (30.000 cm)
<b>Package 2 Width</b>	11.81 in (30.000 cm)
<b>Package 2 Length</b>	15.75 in (40.000 cm)
<b>Package 2 Weight</b>	10.40 lb(US) (4.718 kg)
<b>Unit Type Of Package 3</b>	P06

<b>Number Of Units In Package 3</b>	120
<b>Package 3 Height</b>	29.53 in (75.000 cm)
<b>Package 3 Width</b>	23.62 in (60.000 cm)
<b>Package 3 Length</b>	31.50 in (80.000 cm)
<b>Package 3 Weight</b>	106.71 lb(US) (48.404 kg)

## Contractual warranty

<b>Warranty</b>	18 months
-----------------	-----------

## Sustainability

**Green Premium™ label** is Schneider Electric's commitment to delivering products with best-in-class environmental performance. Green Premium promises compliance with the latest regulations, transparency on environmental impacts, as well as circular and low-CO<sub>2</sub> products.

**Guide to assessing product sustainability** is a white paper that clarifies global eco-label standards and how to interpret environmental declarations.

[Learn more about Green Premium >](#)

[Guide to assess a product's sustainability >](#)



Transparency RoHS/REACH

## Well-being performance

✓ Reach Free Of Svhc

✓ Toxic Heavy Metal Free

✓ Mercury Free

✓ Rohs Exemption Information Yes

## Certifications & Standards

**Reach Regulation**

[REACH Declaration](#)

**Eu Rohs Directive**

Pro-active compliance (Product out of EU RoHS legal scope)

[EU RoHS Declaration](#)

**China Rohs Regulation**

[China RoHS declaration](#)

**Environmental Disclosure**

[Product Environmental Profile](#)

**Weee**

The product must be disposed on European Union markets following specific waste collection and never end up in rubbish bins.

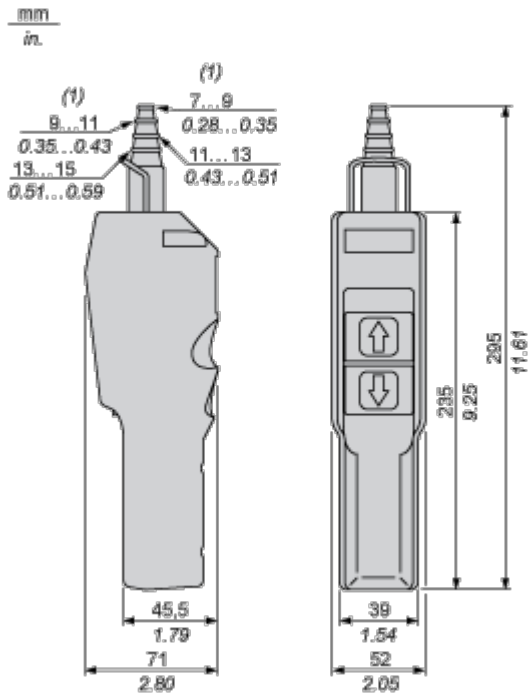
**Circularity Profile**

No need of specific recycling operations

**California Proposition 65**

WARNING: This product can expose you to chemicals including: Nickel compounds, which is known to the State of California to cause cancer, and Di-isodecyl phthalate (DIDP), which is known to the State of California to cause birth defects or other reproductive harm. For more information go to [www.P65Warnings.ca.gov](http://www.P65Warnings.ca.gov)

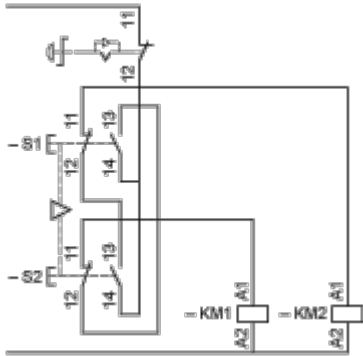
Dimensions



(1) Internal Ø

Control of Single-Speed Reversing Motor

---



Performance Curves

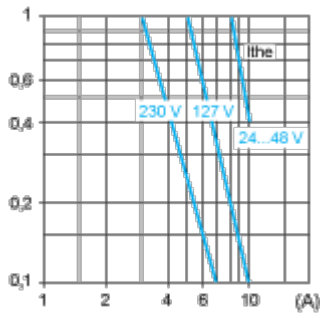
Rated Operational Power

---

**AC Supply 50/60 Hz Inductive Circuit**

Operating rate: 3600 operating cycles/hour. Load factor: 0.5.

Millions of operating cycles, AC-15 utilization category



I<sub>the</sub> Thermal current

(A) Current

**DC Supply**

Operating rate: 3600 operating cycles/hour. Load factor: 0.5.

Power broken in W for 1 million operating cycles, DC-13 utilization category

Voltage	V	24	48	120
Inductive circuit	W	65	48	40