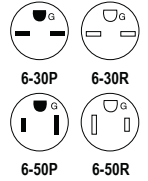


Arrow Hart heavy-duty power devices

Project Name:	Prepared By:
Project Number:	Date:
Catalog Number:	Type:

Description

30A, 250V/AC, 2-Pole, 3-Wire Grounding
 50A, 250V/AC, 2-Pole, 3-Wire Grounding
 NEMA 6-30, 6-50



Design features for receptacles

- Heavy gauge galvanized steel mounting straps for corrosion resistance
- Terminal pressure plates for enhanced wire retention strength
- Surface receptacles have exclusive lay-in terminals that accept up to #4 AWG wire

Design features for plugs & connectors

- Universal plugs include blades for both 30A & 50A configurations
- Terminals have pressure plates to protect wires
- Auto grip plugs and connectors utilize an internal clamp design to secure cord during assembly
- Auto grip devices are built with a rugged high-strength thermoplastic
- Neoprene gasket seals around cord for added terminal protection on Auto grip devices
- Angled Auto grip plugs have 4 possible positions for maximum convenience

Design features for flanged inlet

- Nylon interior body and solid brass terminal blades offer superior performance
- Terminals accept #12 to #4 AWG connectors

Table 1. NEMA 6-30 Power Devices

Catalog No.	Description	A	V/AC	Color
<input type="checkbox"/> AH1234BK	Heavy-duty flush mount power receptacle	30	250	Black
<input type="checkbox"/> 1232	Surface mount power receptacle	30	250	Black
<input type="checkbox"/> S42	Universal NEMA power plug	30/50	250	Black
<input type="checkbox"/> 5701N	Industrial grade auto grip straight body power plug	30	250	Gray
<input type="checkbox"/> 5700AN	Industrial grade angled plug	30	250	Gray
<input type="checkbox"/> 6700N	Industrial grade auto grip power connector	30	250	Gray
<input type="checkbox"/> 5701NFI	Industrial grade flanged inlet	30	250	Gray

Table 2. NEMA 6-50 Power Devices

Catalog No.	Description	A	V/AC	Color
<input type="checkbox"/> AH1254BK	Heavy-duty flush mount power receptacle	50	250	Black
<input type="checkbox"/> AH1254W	Heavy-duty flush mount power receptacle	50	250	White
<input type="checkbox"/> AH1254BK-SHST	Heavy-duty flush mount receptacle, short strap	50	250	Black
<input type="checkbox"/> 1252	Surface mount power receptacle	50	250	Black
<input type="checkbox"/> S42	Universal NEMA power plug	30/50	250	Black
<input type="checkbox"/> 5710N	Industrial grade auto grip straight body power plug	50	250	Gray
<input type="checkbox"/> 5710AN	Industrial grade angled plug	50	250	Gray
<input type="checkbox"/> 6709N	Industrial grade auto grip power connector	50	250	Gray
<input type="checkbox"/> 5710NFI	Industrial grade flanged inlet	50	250	Gray

Compliances, specifications and availability are subject to change without notice.



Powering Business Worldwide

Project Name:	Prepared By:
Project Number:	Date:
Catalog Number:	Type:

Applications

Today's high amperage and voltage equipment requires power devices that are more durable and reliable than ever, and our power devices are specifically designed to meet those challenges. Our full offering of flush mount receptacles, plugs and connectors deliver reliable connection points for generators, welders, and other heavy workshop tools and are perfect for including on new industrial equipment or for retrofit applications.

Table 1. Specifications

Catalog No.	AH1234, AH1254	1232, 1252
Device Type	Flush Mount Receptacles	Surface Mount Receptacles
NEMA Config	NEMA 6-30 and 6-50	NEMA 6-30 and 6-50
Wiring Type	Back wire	Back wire
Testing & Code Compliance	Listed to UL498, file no. E15058 cUL Listed to CSA C22.2, no. 42-M1999	Listed to UL498, file no. E15058 CSA certified to C22.2, no. 42, file no. 6914 (6233-81) NOM certified
Environmental Specifications	Flammability: Meets UL94 requirements; V0 rated Temperature Rating: -20°C to 75°C (-4°F to 167°F)	Flammability: Meets UL94 requirements; V0 rated Temperature Rating: -20°C to 75°C (-4°F to 167°F)
Electrical Specifications	Dielectric Voltage: Twice the device rating + 1000V per UL498 Current Interrupting: Yes, at full-rated current Temperature Rise: Max. 30°C (86°F) after 50 cycles of overload at 150% of rated current (DC)	Dielectric Voltage: Twice the device rating + 1000V per UL498 Current Interrupting: Yes, at full-rated current Temperature Rise: Max. 30°C (86°F) after 50 cycles of overload at 150% of rated current (DC)
Mechanical Specifications	Terminal Accommodation: #10 - #4 AWG Voltage Ratings: Permanently marked on device	Terminal Accommodation: #10 - #4 AWG Voltage Ratings: Permanently marked on device

Table 2. Materials

Catalog No.	AH1234, AH1254	1232, 1252
Device Type	Flush Mount Receptacles	Surface Mount Receptacles
Receptacle base	PVC	Urea
Receptacle face	PVC	Polypropylene
Line contacts	0.040" thick brass	0.040" thick brass
Terminal clamps	N/A	0.093" thick steel
Terminal screws	1/4-28 UNF-2A Steel Lug Screw	1/4-20 set screw, copper plated
Terminal lugs	0.050" thick steel	N/A
Ground contact	0.040" thick brass	0.032" thick brass
Ground screws	1/4-28 UNF-2A Steel Lug Screw	1/4-20 set screw, zinc plated, green
Assembly/mounting screws	#6 - 32 steel, zinc plated	#6 - 32 steel, zinc plated
Receptacle mounting plate	0.042" thick galvanized steel	0.045" thick galvanized steel

Project Name:	Prepared By:
Project Number:	Date:
Catalog Number:	Type:

Table 3. Specifications

Catalog No.	S42	5701N, 5700AN, 67600N, 5701M, 5710AN, 6709N	5701NFI, 5710NFI
Device Type	Angled Universal Plug	Auto Grip Industrial Plugs & Connectors	Flanged Inlets
NEMA Config	NEMA 6-30/6-50	NEMA 6-30 and 6-50	NEMA 6-30 and 6-50
Wiring Type	Back wire	Back wire	Back wire
Testing & code compliance	Listed to UL498 file no. E150012 NOM certified	cULus Listed to UL498, file no. E15058 CSA certified to C22.2, no. 42 Plugs only: Complies with Fed Spec WC-596G 9337N, 9352AN: NOM certified	cULus Listed to UL498, file no. E3663 UL verified to Fed Spec WC-596G cUL Listed to CSA C22.2, no. 42-M1999
Environmental Specifications	Flammability: Meets UL94 requirements; V0 rated Temperature Rating: -20°C to 60°C (-4°F to 140°F)	Flammability: Meets UL94 requirements; V2 rated Temperature Rating: -40°C to 75°C (-40°F to 167°F)	Flammability: Meets UL94 requirements; flanged housing: V0 rated, all other components: V2 rated Temperature Rating: -40°C to 75°C (-40°F to 167°F)
Electrical Specifications	Dielectric Voltage: Twice the device rating +1000V per UL498 Current Interrupting: Yes, at full-rated current Temperature Rise: Max. 30°C (86°F) after 50 cycles of overload at 150% of rated current (DC)	Dielectric Voltage: ≤300V: 2000V, 301-600V: 3000V per UL498 Current Interrupting: Yes, at full-rated current Temperature Rise: Max. 30°C (86°F) after 50 cycles of overload @ 150% of rated current (DC)	Dielectric Voltage: Twice the device rating + 1000V per UL498 Current Interrupting: Yes, at full-rated current Temperature Rise: Max. 30°C (86°F) after 50 cycles of overload @ 150% of rated current (DC)
Mechanical Specifications	Terminal Accommodation: #10 - #8 AWG Voltage Ratings: Permanently marked on device	Terminal Accommodation: #12 - #4 AWG Voltage Ratings: Permanently marked on device	Terminal Accommodation: #12 - #4 AWG Voltage Ratings: Permanently marked on device

Table 4. Materials

Catalog No.	S42	5701N, 5700AN, 6700N, 5710N, 5710AN, 6709N	5701NFI, 5710NFI
Device Type	Angled Universal Plug	Auto Grip Industrial Plugs & Connectors	Flanged Inlets
Plug/connector outer shell or flanged housing	PVC	Nylon	ABS
Interior body	N/A	Nylon	Nylon
Terminal retainer	N/A	Straight Plugs and Connectors: Polypropylene, Angled Plugs: ABS	Nylon
Blades	0.096" thick brass	0.065" thick brass	0.100" thick brass
Line contacts	N/A	0.031" thick brass	0.100" thick brass
Terminal clamps	Steel, zinc plated	Galvanized steel	Brass
Terminal screws	1/4-28 set screw, steel, zinc plated	#8 - 32 brass, nickel plated	3/8-27 brass
Ground screw	1/4-28 set screw, steel, zinc plated	#8 - 32 brass, green	3/8-27 brass, zinc plated, green
Assembly/mounting screws	#6 - 32 steel, nickel plated	Steel	Assembly screws: #6 steel, zinc plated; Mounting Screws: #10-32 steel, zinc plated
Cord clamp	Steel, zinc plated	Polypropylene	N/A
Gasket/dust shield	N/A	Straight plugs and connectors: neoprene, Angled Plugs: N/A	N/A

Product Dimensions

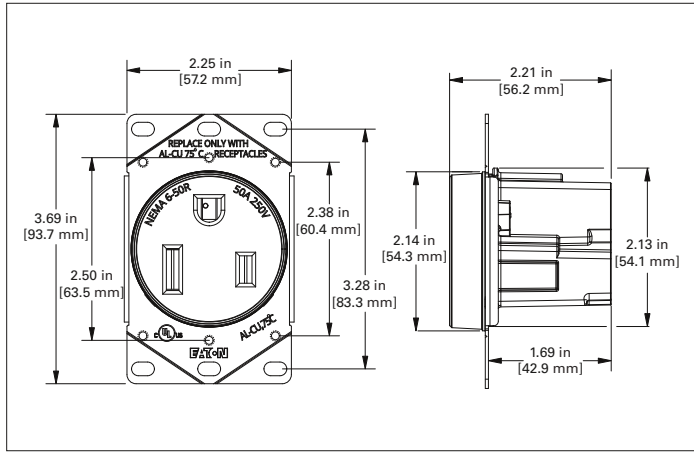


Figure 1. Heavy-Duty flush mount power receptacle

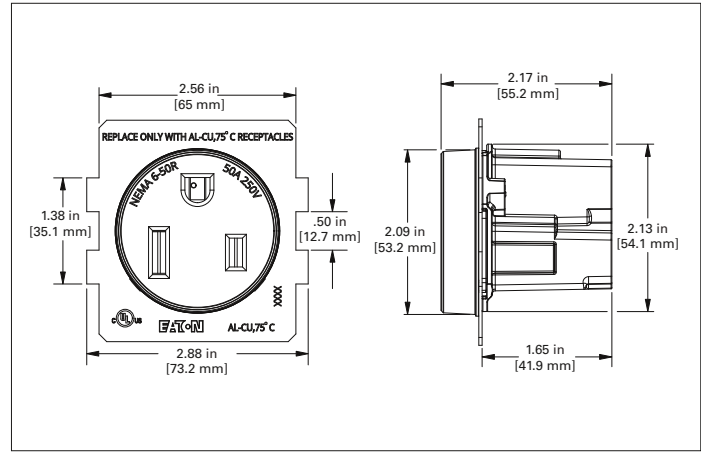


Figure 2. Heavy-Duty Flush mount receptacles - Short Strap

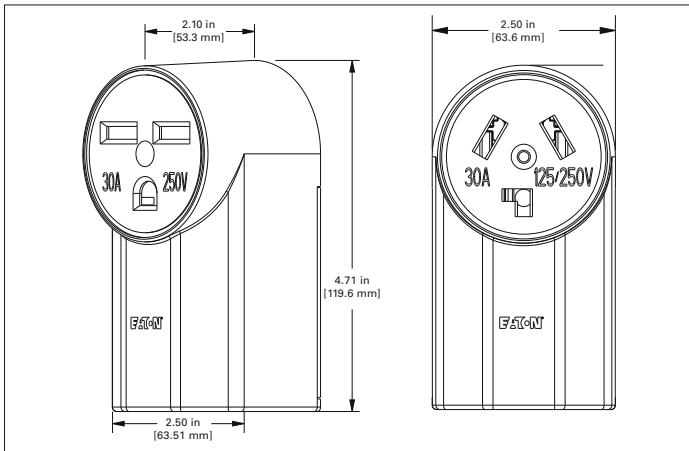


Figure 3. Surface Mount Receptacle

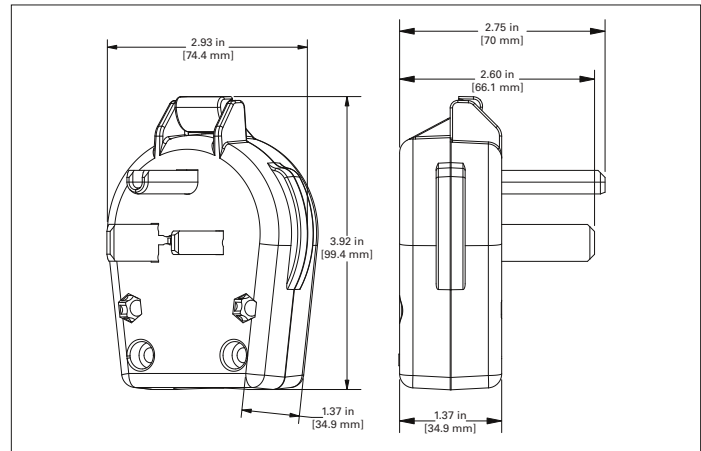


Figure 4. Universal NEMA Power Plug

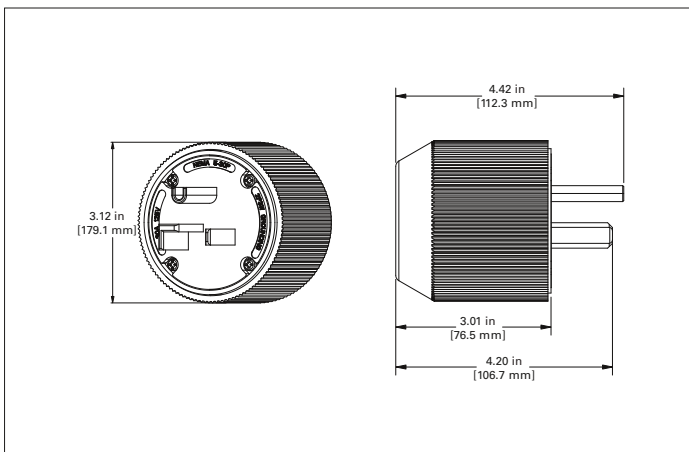


Figure 5. Industrial grade auto grip straight body power plug

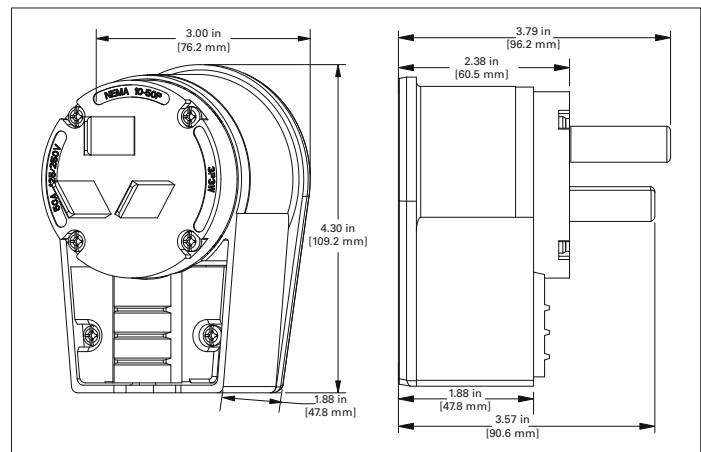


Figure 6. Auto Grip Industrial Angled Plug (313)

Product Dimensions

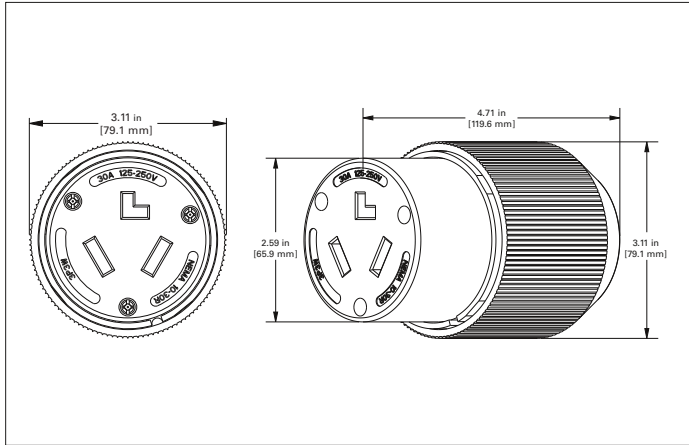


Figure 7. Industrial grade auto grip power connector

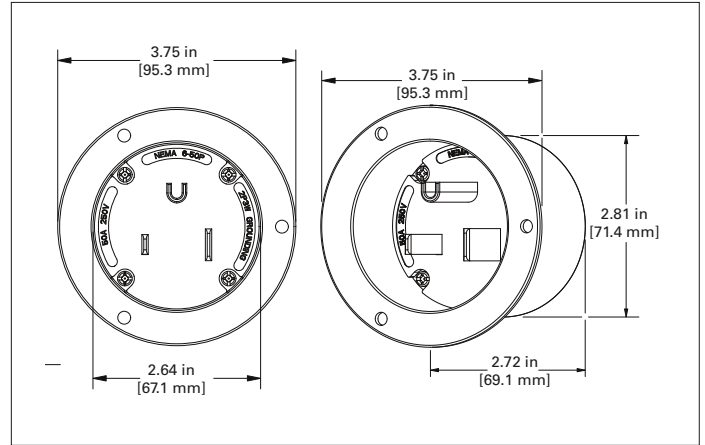


Figure 8. Flanged Inlets

Certifications & Compliances

Model	cULus	UL	FULus	NOM	CSA	USMCA
AH1234	•			•		•
1232		•		•	•	•
S42		•		•	•	•
5701N	•		•	•		•
6700N	•			•		
5701NFI	•		•	•		•
AH1254BK	•				•	•
AH1254W	•				•	•
AH1254BK-SHST	•				•	•
1252		•		•	•	•
5710N	•		•			•
5710AN	•		•			•
6709N	•					•
5710NFI	•		•			•

KEY: cULus cULus UL UL CSA CSA FULus FULus NOM NOM USMCA USMCA

Compliances, specifications and availability are subject to change without notice.

Electrical Sector
1123 Hwy 74 S
Peachtree City, GA 30269
United States
Eaton.com
Eaton.com/wiringdevices

Electrical Sector
Canada Operations
5925 McLaughlin Road
Mississauga, Ontario, L5R 1B8
Canada
EatonCanada.ca
Eaton.com/wiringdevices

Electrical Sector
Mexico Operations
Carr. Tlalnepantla -
Cuautitlán Km 17.8 s/n
Col. Villa Jardín esq.
Cerrada 8 de Mayo
Cuautitlán, Mexico CP 54800
México
Eaton.mx
Eaton.com/wiringdevices



Eaton
1000 Eaton Boulevard
Cleveland, OH 44122
United States
Eaton.com

© 2023 Eaton
All Rights Reserved
Printed in USA
Publication No. TD620072EN
April 2023

Eaton is a registered trademark.
All other trademarks are property
of their respective owners.