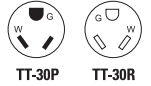


# RV and Trailer Power Devices



Project Name:	Prepared By:
Project Number:	Date:
Catalog Number:	Type:

## Description

NEMA TT-30, 125V/AC, 2-Pole, 3-Wire Grounding



AH1263



83



1264

### Design features for receptacles

- For use with travel trailers and RVs
- Heavy gauge galvanized steel mounting straps for corrosion resistance
- Terminal pressure plates for enhanced wire retention strength

### Design features for plugs & connectors

- Angled power plug offers compact footprint while in use
- Terminals have pressure plates to protect wires
- 1264 adapts travel trailer plug to female 15A or 20A, 125V/AC 5-15R or 5-20R receptacle

**Table 1. NEMA TT-30 Travel Trailer Power Devices**

Catalog No.	Description	Amps	Volts	Color
<input type="checkbox"/> AH1263BK	Heavy-duty flush mount power receptacle	30	125	Black
<input type="checkbox"/> 83	Angled power plug	30	125	Black
<input type="checkbox"/> 1264	Travel trailer receptacle to NEMA 5-15/5-20P plug adapter	30	125	Black

**Compliances, specifications and availability are subject to change without notice.**



Powering Business Worldwide

Project Name:	Prepared By:
Project Number:	Date:
Catalog Number:	Type:

## Applications

Today's recreational vehicles and travel trailers require power devices that are more durable and reliable than ever, and our power devices are specifically designed to meet those challenges. Our full offering of flush mount receptacles, plugs and connectors deliver reliable connection points for RV charging and trailer hook-ups and are perfect for including on new equipment or for retrofit applications.

**Table 1. Specifications**

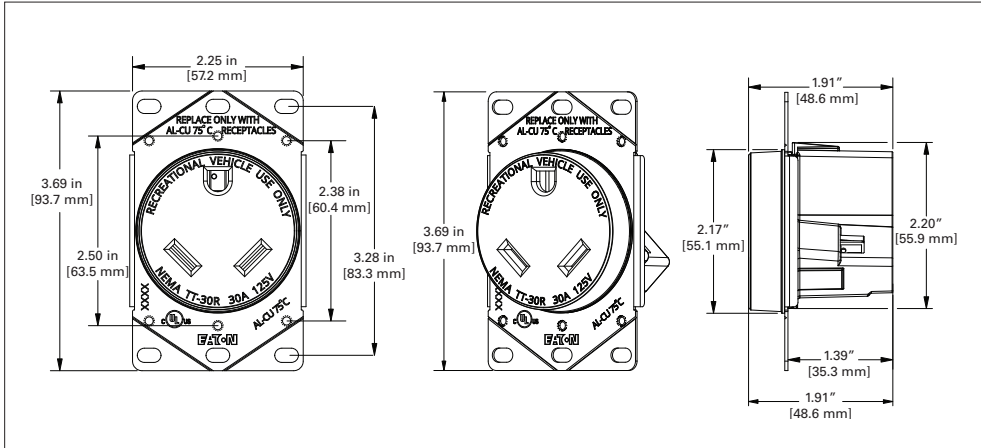
Catalog No.	AH1263	83	1264
<b>Device Type</b>	<b>Flush Mount Receptacles</b>	<b>Angled Plug</b>	<b>Travel Trailer Plug Adapter</b>
<b>NEMA Config</b>	NEMA TT-30	NEMA TT-30	NEMA TT-30R to 5-15P
<b>Wiring Type</b>	Back wire	Back wire	Back wire
<b>Testing &amp; Code Compliance</b>	Listed to UL498, file no. E15058 Complies with Fed Spec WC-596G cUL Listed to CSA C22.2, no. 42-M1999	Listed to UL498 file no. E150012 CSA certified to C22.2, no. 42 NOM certified	UL Listed to UL498, file no. E15058 CSA certified to C22.2, no. 42 NOM certified
<b>Environmental Specifications</b>	<b>Flammability:</b> Meets UL94 requirements; V0 rated <b>Temperature Rating:</b> -20°C to 75°C (-4°F to 167°F)	<b>Flammability:</b> Meets UL94 requirements; V0 rated <b>Temperature Rating:</b> -20°C to 60°C (-4°F to 140°F)	<b>Flammability:</b> Meets UL94 requirements; V2 rated <b>Temperature Rating:</b> -40°C to 75°C (-40°F to 167°F)
<b>Electrical Specifications</b>	<b>Dielectric Voltage:</b> Twice the device rating + 1000V per UL498 <b>Current Interrupting:</b> Yes, at full-rated current <b>Temperature Rise:</b> Max. 30°C (86°F) after 50 cycles of overload at 150% of rated current (DC)	<b>Dielectric Voltage:</b> Twice the device rating + 1000V per UL498 <b>Current Interrupting:</b> Yes, at full-rated current <b>Temperature Rise:</b> Max. 30°C (86°F) after 50 cycles of overload at 150% of rated current (DC)	<b>Dielectric Voltage:</b> ≤300V: 2000V, 301-600V: 3000V per UL498 <b>Current Interrupting:</b> Yes, at full-rated current <b>Temperature Rise:</b> Max. 30°C (86°F) after 50 cycles of overload @ 150% of rated current (DC)
<b>Mechanical Specifications</b>	<b>Terminal Accommodation:</b> #10 - #4 AWG <b>Voltage Ratings:</b> Permanently marked on device	<b>Terminal Accommodation:</b> #10 - #8 AWG <b>Voltage Ratings:</b> Permanently marked on device	<b>Voltage Ratings:</b> Permanently marked on device

**Table 2. Materials**

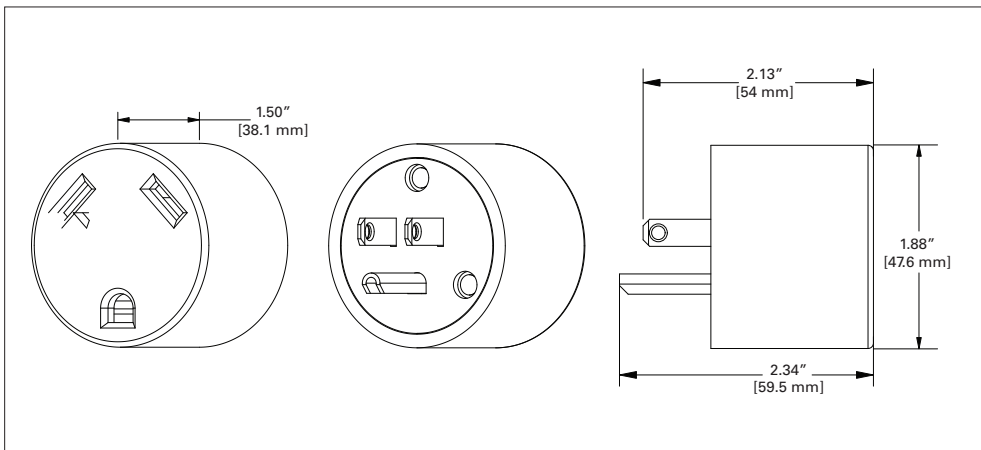
Catalog No.	AH1263	83	1264
<b>Device Type</b>	<b>Flush Mount Receptacles</b>	<b>Angled Plug</b>	<b>Travel Trailer Plug Adapter</b>
<b>Receptacle base</b>	PVC	N/A	N/A
<b>Receptacle face</b>	PVC	N/A	N/A
<b>Plug/outer shell</b>	N/A	PVC	Nylon
<b>Line contacts</b>	0.040" thick brass	N/A	N/A
<b>Blades</b>	N/A	0.096" thick brass	0.065" thick brass
<b>Terminal clamps</b>	N/A	Steel, zinc plated	N/A
<b>Terminal Lugs</b>	0.050" thick steel	N/A	N/A
<b>Terminal screws</b>	1/4-28-UNF 2A Tridrive Screw	1/4-28 set screw, steel, zinc plated	N/A
<b>Ground contact</b>	0.040" thick brass	N/A	N/A
<b>Ground screws</b>	1/4-28-UNF 2A Tridrive Screw	1/4-28 set screw, steel, zinc plated	N/A
<b>Assembly/mounting screws</b>	#6 - 32 steel, zinc plated	#6 - 32 steel, nickel plated	N/A
<b>Receptacle mounting plate</b>	0.042" thick galvanized steel	N/A	N/A
<b>Cord clamp</b>	N/A	Steel, zinc plated	N/A

Project Name:	Prepared By:
Project Number:	Date:
Catalog Number:	Type:

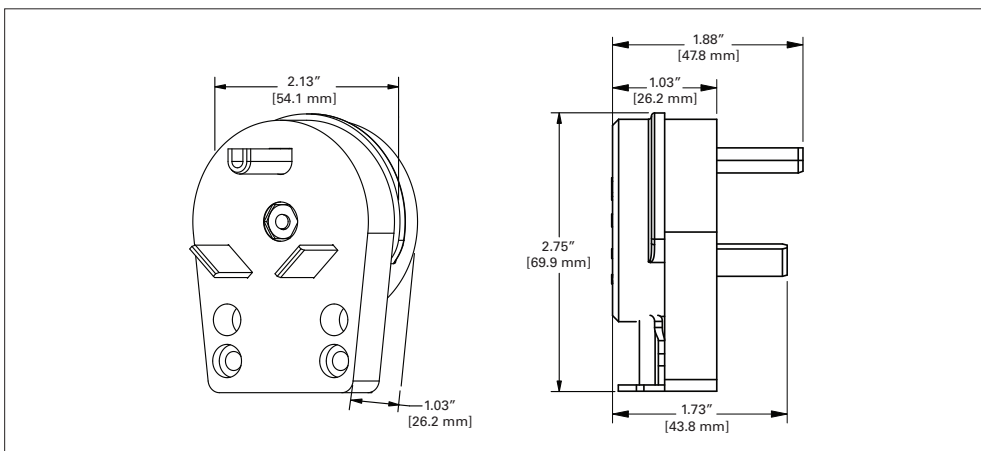
**Product Dimensions**



**Figure 1. Flush Mount Receptacle**







**Figure 2. Adapter**



**Figure 3. Angled Power Plug**

Project Name:	Prepared By:
Project Number:	Date:
Catalog Number:	Type:

## Certifications & Compliances

Catalog No.				
AH1263	•	•	•	•
S80		•	•	•
1264				

**KEY:**  cULus  UL  NOM  USMCA

**Compliances, specifications and availability are subject to change without notice.**

Electrical Sector  
1123 Hwy 74 S  
Peachtree City, GA 30269  
United States  
Eaton.com  
Eaton.com/wiringdevices

Electrical Sector  
Canada Operations  
5925 McLaughlin Road  
Mississauga, Ontario, L5R 1B8  
Canada  
EatonCanada.ca  
Eaton.com/wiringdevices

Electrical Sector  
Mexico Operations  
Carr. Tlalnepantla -  
Cuautitlán Km 178 s/n  
Col. Villa Jardín esq.  
Cerrada 8 de Mayo  
Cuautitlán, Mexico CP 54800  
México  
Eaton.mx  
Eaton.com/wiringdevices