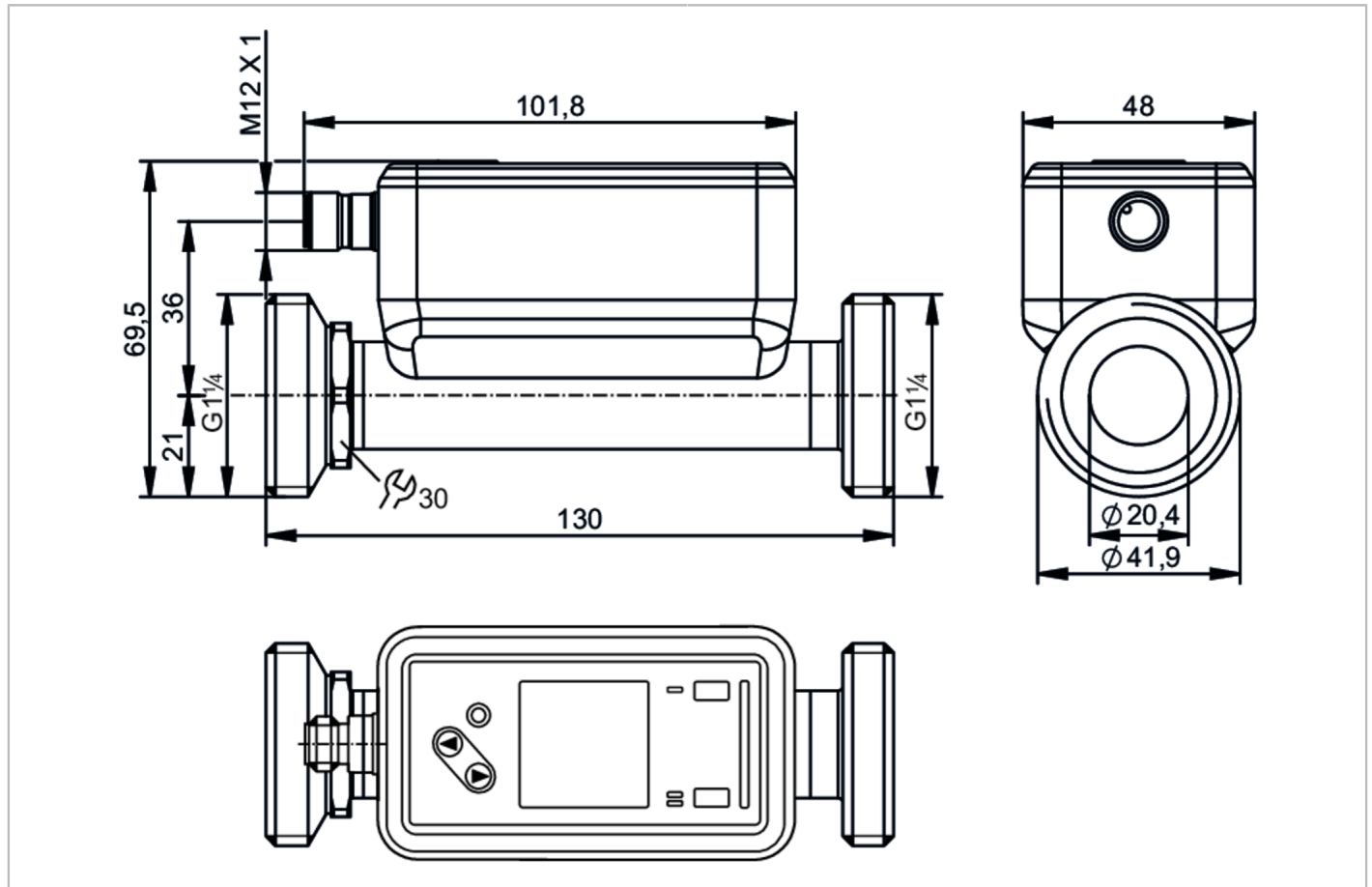


# SU9020



## Ultrasonic flow meter

SUR54XXBFRKG/US



ACS KTW/W270 Reg31

Product characteristics	
Measuring range	1...275 l/min      60...16500 l/h      0.051...13.981 m/s      0.06...16.5 m³/h
Process connection	G 1 1/4 DN32 external thread
Application	
System	gold-plated contacts
Media	ultra-pure water; water; water-based media
Note on media	water-based media: for media with >10 % additives, the repeatability is the only available value
Medium temperature [°C]	-20...100
Min. bursting pressure	150 bar      15 MPa
Pressure rating	100 bar      10 MPa
Vacuum resistance [mbar]	-1000
Electrical data	
Operating voltage [V]	18...32 DC; (to SELV/PELV)
Current consumption [mA]	< 75
Protection class	III
Reverse polarity protection	yes
Power-on delay time [s]	5
Measuring principle	ultrasonic

# SU9020



## Ultrasonic flow meter

SUR54XXBFRKG/US

Inputs				
Inputs	counter reset			
Outputs				
Total number of outputs	2			
Output signal	switching signal; pulse signal; analog signal; IO-Link; frequency signal; diagnostic signal; totalizer switching signal			
Electrical design	PNP/NPN			
Output function	normally open / closed; (configurable)			
Max. voltage drop switching output DC [V]	2			
Permanent current rating of switching output DC [mA]	100			
Switching frequency DC [Hz]	0...10000			
Analog current output [mA]	4...20			
Max. load [Ω]	500			
Pulse output	flow rate meter			
Short-circuit protection	yes			
Type of short-circuit protection	yes (non-latching)			
Overload protection	yes			
Measuring/setting range				
Measuring range	1...275 l/min	60...16500 l/h	0.051...13.981 m/s	0.06...16.5 m³/h
Display range	-330...330 l/min	-19800...19800 l/h	-16.777...16.777 m/s	-19.8...19.8 m³/h
Resolution	0.1 l/min	1 l/h	0.001 m/s	0.001 m³/h
Set point SP	2.5...275 l/min	151...16500 l/h	0.128...13.981 m/s	0.151...16.5 m³/h
Reset point rP	1.1...273.6 l/min	65...16414 l/h	0.055...13.908 m/s	0.065...16.414 m³/h
Analog start point ASP	-275...220 l/min	-16500...13200 l/h	-13.981...11.185 m/s	-16.5...13.2 m³/h
Analog end point AEP	-220...275 l/min	-13200...16500 l/h	-11.185...13.981 m/s	-13.2...16.5 m³/h
Low flow cut-off LFC	1...13.8 l/min	60...825 l/h	0.051...0.699 m/s	0.06...0.825 m³/h
Frequency end point, FEP	55.2...275 l/min	3310...16500 l/h	2.805...13.981 m/s	3.31...16.5 m³/h
Frequency at the end point FRP [Hz]	1...10000			
Volumetric flow quantity monitoring				
Pulse length [s]	0.002...2			
Pulse value	0.02...99990000 l			
Temperature monitoring				
Measuring range [°C]	-20...100			
Display range [°C]	-44...124			
Resolution [°C]	0.1			
Set point SP [°C]	-19.6...100			
Reset point rP [°C]	-20...99.6			
Analog start point [°C]	-20...76			
Analog end point [°C]	4...100			
Frequency start point, FSP [°C]	-20...76			
Frequency end point, FEP [°C]	4...100			

# SU9020



## Ultrasonic flow meter

SUR54XXBFRKG/US

Frequency at the end point FRP	[Hz]	1...10000
--------------------------------	------	-----------

### Accuracy / deviations

Flow monitoring		
Accuracy (in the measuring range)		$\pm (1,0 \% MW + 0,5 \% MEW)$
Repeatability		$\pm 0,2 \% MEW$
Temperature monitoring		
Accuracy	[K]	$\pm 2,5 (Q > 5 \% MEW)$
Temperature coefficient	[% of the span / 10 K]	0,2

### Reaction times

Flow monitoring		
Response time	[s]	$< 0,25; (dAP = 0, T09)$
Damping process value dAP	[s]	0...5
Temperature monitoring		
Dynamic response T05 / T09	[s]	5,7 / 86

### Software / programming

Diagnostic functions		direction of flow detection; signal quality
----------------------	--	---

### Interfaces

Communication interface		IO-Link
Transmission type		COM2 (38,4 kBaud)
IO-Link revision		1.1.3
SDCI standard		IEC 61131-9: 2013-07
Profiles		Identification and Diagnosis (0x4000)
Required master port class		A
Process data analog		3
Process data binary		2
Min. process cycle time	[ms]	9.6
IO-Link process data (cyclical)	<b>Function</b>	<b>bit length</b>
	totalizer	32
	Flow monitoring	32
	Temperature monitoring	32
	status	4
	Output 1	1
	Output 2	1
Supported DeviceIDs	<b>Type of operation</b>	<b>DeviceID</b>
	default	1460

### Operating conditions

Ambient temperature	[°C]	-20...60
Storage temperature	[°C]	-25...80
Protection		IP 67

### Tests / approvals

EMC	DIN 61326-1:2021	
Shock resistance	DIN IEC 68-2-27	20 g (11ms)

# SU9020



## Ultrasonic flow meter

SUR54XXBFRKG/US

Vibration resistance	DIN IEC 68-2-6	5 g (10...2000Hz)
MTTF [years]		160
Pressure equipment directive	can be used for group 2 fluids; group 1 fluids on request	

### Mechanical data

Weight [g]	639.4
Type of mounting	inlet pipe length 5xDN; outlet pipe length 1xDN
Material	housing: stainless steel (1.4404 / 316L); Display: PFA; sealing Display: FKM; connector: POKAN
Materials (wetted parts)	Pipe section: stainless steel (1.4404 / 316L); Process connection sealing: Centellen Gasket
Process connection	G 1 1/4 DN32 external thread
Surface characteristics Ra/Rz of the wetted parts	1.25 µm

### Displays / operating elements

Display		Color display 1,44", 128 x 128 pixels
	Switching function	2 x LED, yellow
	diagnosis	1 x LED, three-color

### Accessories

Items supplied	Gasket 2, Centellen package insert
----------------	---------------------------------------

### Remarks

Remarks	MW = Measured value
	MEW = Final value of the measuring range
	pulse and totalizer signal are only available for one of the two outputs
	the accuracy indications are adhered to over the entire application area
Pack quantity	1 pcs.

### Electrical connection

Connector: 1 x M12; coding: A; Contacts: gold-plated



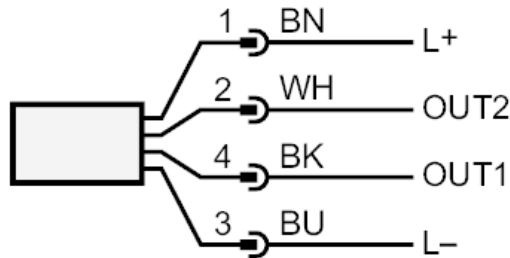
# SU9020



## Ultrasonic flow meter

SUR54XXBFRKG/US

### Connection



OUT1/IO-Link: Switching output Volumetric flow quantity monitoring  
 Switching output Temperature monitoring  
 Pulse output quantity meter  
 Frequency output Volumetric flow quantity monitoring  
 Frequency output Temperature monitoring  
 Diagnostic output direction of flow detection  
 Diagnostic output signal quality  
 signal output Preset counter

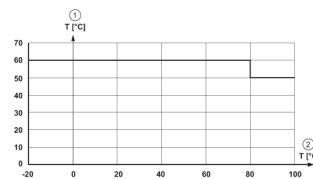
OUT2/InD: Switching output Volumetric flow quantity monitoring  
 Switching output Temperature monitoring  
 Pulse output quantity meter  
 analog output flow  
 analog output temperature  
 Diagnostic output direction of flow detection  
 Diagnostic output signal quality  
 signal output Preset counter  
 Input counter reset

Colors to DIN EN 60947-5-2

Core colors  
 BK= black  
 BN= brown  
 BU= blue  
 WH= white

### Diagrams and graphs

derating ambient temperature



- 1 Ambient temperature
- 2 Medium temperature