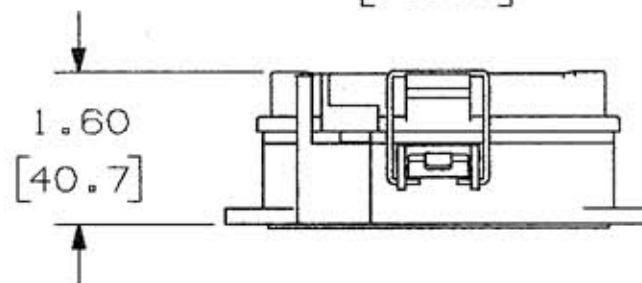
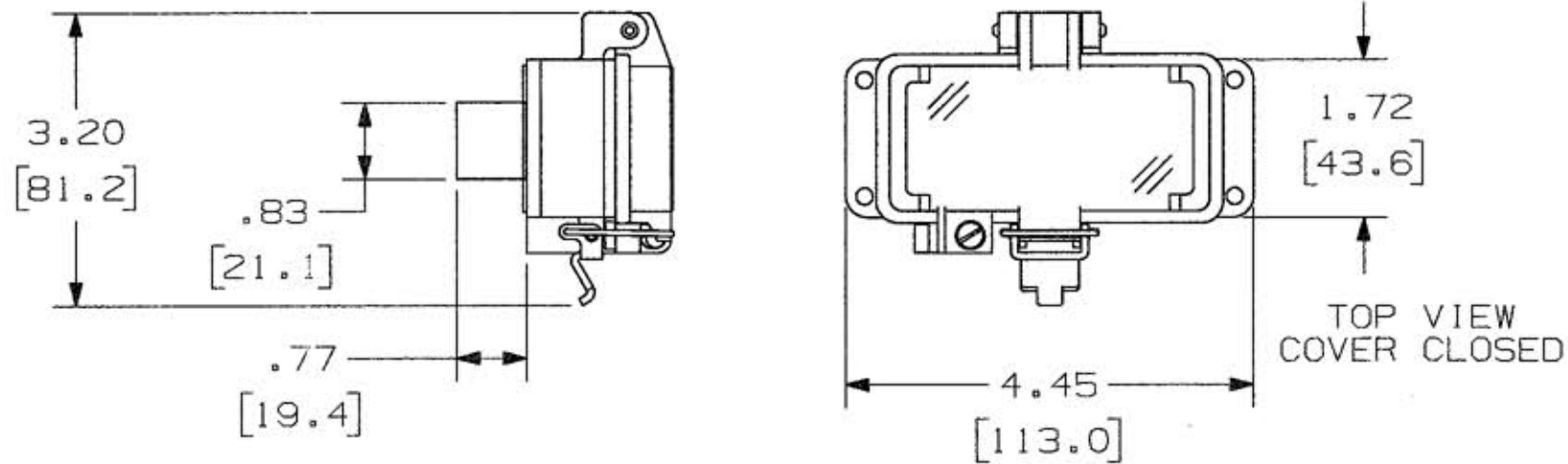
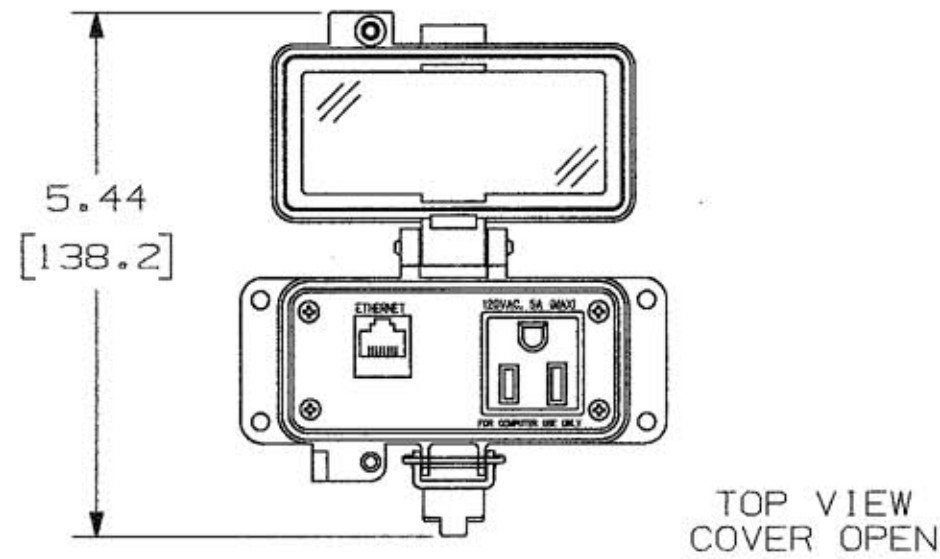
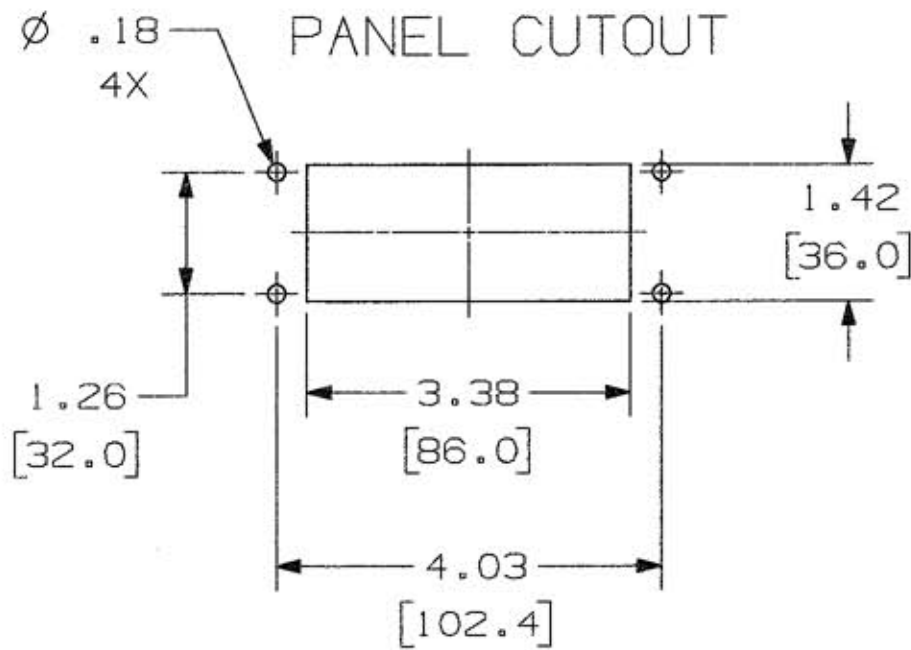


M-10081 4



NOTE:  
1. DIMENSIONS ARE NOMINAL VALUES AND SHOWN IN INCH [mm] UNITS. DIMENSIONS ARE FOR REFERENCE ONLY.

LIST OF PARTS

DESCRIPTION	MATERIAL	FINISH

SYM	REVISIONS	APP	DATE
4	DIM. NOTE WAS, "NOMINAL DIM. -FOR REF. ONLY". REMOVE SUPPLIER LOGO, PART NO. & PRODUCT NAME FROM TOP VIEW. RELOCATED ALL VIEWS. NOW 4X $\phi .18$ WAS $\phi .09$ DCN 14126 GPK	JPP	7/31/07
3	NEMA 4 WAS NEMA 12/4 PER DCN 13470 RCM	SML	2/8/07
2	ADDED NOTE PER DCN 13221 ABS	SML	6/29/06
1	INITIAL RELEASE PER DCN. 13051	SML	4-11-06

THE DESIGN AND DIMENSIONS OF THE PRODUCT SHOWN ON THIS DRAWING ARE SUBJECT TO CHANGE WITHOUT NOTICE

TITLE PANEL-SAFE CAT 5E ETHERNET, 15A/120VAC NEMA 4, 4X

CATALOG	ENCLOSURE RATING	DESCRIPTION
P155E	NEMA 4	CAT 5E, ETHERNET, 15A/120VAC
P4X155E	NEMA 4X	CAT 5E, ETHERNET, 15A/120VAC

TOLERANCES UNLESS OTHERWISE SPECIFIED  
 FRACTIONS  $\pm 1/64$   
 DECIMALS  $\pm .005$   
 ANGLES  $\pm 2^\circ$

WIRING DEVICE-KELLEMS HUBBELL INCORPORATED BRIDGEPORT, CT  
 DR. BY TJV APP. BY SML  
 TR. BY SCALE 1:2  
 CHK'D BY SML DATE 3-22-06

DIMENSION SHEET FOR CAT. NO. M-10081 4  
 REPAIRABLE  NON-REPAIRABLE  B