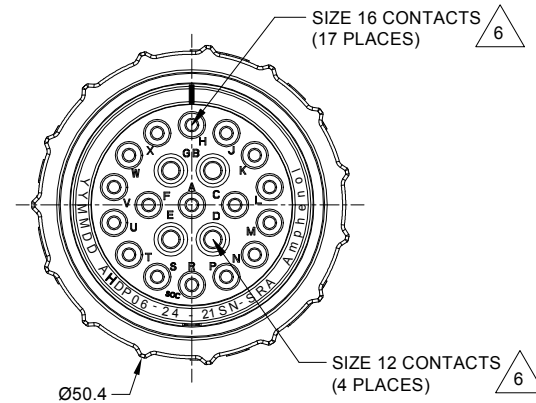
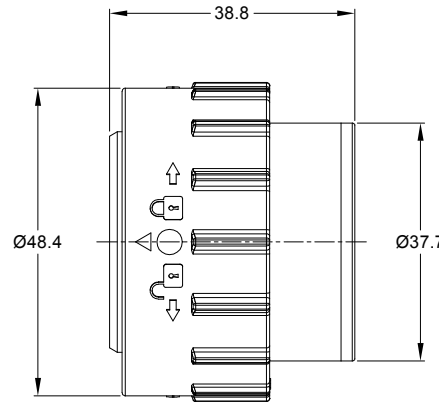
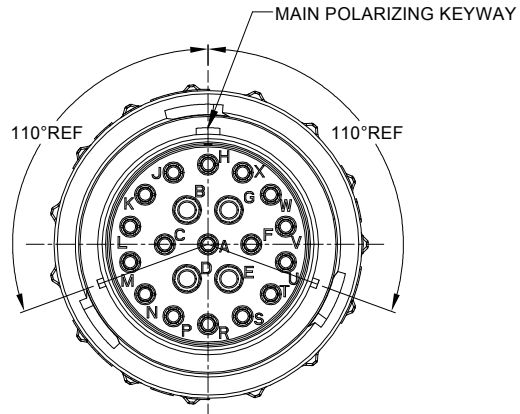


| REVISIONS |     |                     |         |     |       |
|-----------|-----|---------------------|---------|-----|-------|
| REV       | ECO | DESCRIPTION         | DATE    | BY  | APPR  |
| A1        | -   | RELEASE NEW DRAWING | 18MAY20 | IAN | TOMMY |
| A2        | -   | MODIFY PRODUCT NAME | 11AUG20 | IAN | TOMMY |

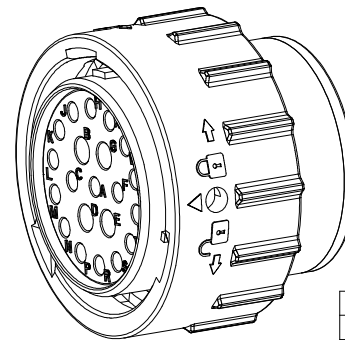


NOTES: UNLESS OTHERWISE SPECIFIED

- MATERIAL:  
HOUSING: THERMOPLASTIC; BLACK  
SEAL: SILICONE RUBBER
- MODIFICATIONS: SMOOTH RING ADAPTER (SRA);  
STANDARD DIA. WIRE SEAL.
- SPECIFICATIONS:
  - OPERATING TEMPERATURE: -55°C TO +125°C.
  - DIELECTRIC WITHSTANDING VOLTAGE: LESS THAN 2 MILLIAMPS CURRENT LEAKAGE @ 1500 VOLTS AC.
  - INSULATION RESISTANCE: 1000 MEGOHM MIN @ 25°C.
  - MOISTURE RESISTANCE: IP67&IP69K ( MATED CONDITION ).
  - MATING CYCLE DURABILITY: 100 CYCLES
  - RoHS COMPLIANT
- MATING PART: AHDP04-24-21P\* (\* = SEAL TYPE )
- ALL DIMENSIONS ARE FOR REFERENCE USE ONLY.

△ CONTACT SIZE AND WIRE RANGE:

| CONTACT SIZE | MIN. INSUL O.D.   | MAX. INSUL O.D.   | TYPICAL WIRE RANGE                  | CURRENT RATING |
|--------------|-------------------|-------------------|-------------------------------------|----------------|
| 12           | 3.40 mm (.134 in) | 4.32 mm (.170 in) | 10-14 AWG (6.0-2.0mm <sup>2</sup> ) | 25 AMPS        |
| 16           | 2.50 mm (.100 in) | 3.40 mm (.134 in) | 14-20 AWG (2.0-0.5mm <sup>2</sup> ) | 13 AMPS        |



SMOOTH RING ADAPTER - GREEN

|                                      |  |  |             |
|--------------------------------------|--|--|-------------|
| AHDP06-24-21SN-SRA                   |  | REF:HDP26-24-21SN  |             |
| PART NUMBER                          |  |  | DESCRIPTION |
| QUANTITY                             |  |  | ITEM        |
| <b>MATERIALS LIST</b>                |  |  |             |
| UNLESS OTHERWISE SPECIFIED           |  | SIGNATURES   |             |
| 1) All dimensions are in metric(mm). |  | DATE   |             |
| 2) Tolerances are as follows:        |  | DRAWN: WANXIAO 11AUG20   |             |
| 1 PL DEC ±0.30                       |  | CHECKED: ORIONLI 12AUG20   |             |
| 2 PL DEC ±0.15                       |  | ENGINEER:  |             |
| 3 PL DEC ±0.08                       |  | APPROVAL: TOMMYXIE 13AUG20   |             |
| 3) Note reference = △                |  | CUSTOMER:  |             |
| MATERIAL SPECIFICATIONS:             |  | THIS DRAWING IS SUPPLIED FOR INFORMATION ONLY. DESIGN FEATURES, SPECIFICATIONS AND PERFORMANCE DATA SHOWN HEREON ARE THE PROPERTY OF THE AMPHENOL CORPORATION. NO RIGHTS OF REPRODUCTION ARE IMPLIED. ALL DIMENSIONS ARE SUBJECT TO NORMAL MANUFACTURING VARIATIONS. |             |
| PROCESS SPECIFICATIONS:              |  | SCALE: NONE  |             |
| NEXT ASSY:                           |  | DURAMATE   |             |
|                                      |  | SHEET 1 OF 1   |             |
|                                      |  | SIZE: B C- AHDP06-24-21SN-SRA A2   |             |
|                                      |  | REVISION   |             |

**Amphenol**

Sine Systems - www.amphenol-sine.com  
44724 Morley Drive  
Clinton Township, MI 48036

PLUG, SIZE 24, 21-SOCKET  
NORMAL SEAL, SRA, DURAMATE AHDP SERIES

TITLE: PLUG SIZE 24, 21-SOCKET NORMAL SEAL, DURAMATE AHDP SERIES  
DWG NO.: AHDP06-24-21SN-SRA  
REV: A2  
SH: 1  
OF: 1

# A Series™ - Contact Size 12 Options (Works with: AHD-6, ATP, ATHD, DuraMate and PanelMate Series)

| Machined Contacts, Sockets & Pins |  |      |       |          |
|-----------------------------------|--|------|-------|----------|
| Part Number                       | Description                            | Size | AWG   | Type     |
| *AT60-204-12141-10                | Male Contact - Pin, Nickel-plated      | 12   | 10-12 | Machined |
| *AT62-203-12141-10                | Female Contact - Socket, Nickel-plated | 12   | 10-12 | Machined |
| AT60-220-1231                     | Male Contact - Pin, Gold-plated        | 12   | 12-14 | Machined |
| AT62-210-1231                     | Female Contact - Socket, Gold-plated   | 12   | 12-14 | Machined |
| AT60-204-12141                    | Male Contact - Pin, Nickel-plated      | 12   | 12-14 | Machined |
| AT62-203-12141                    | Female Contact - Socket, Nickel-plated | 12   | 12-14 | Machined |

\*Works with ATP Series only

| DiagnosticGrade™ Machined Contacts, Sockets & Pins   |  |      |     |          |
|--|--|------|-----|----------|
| • Smaller AWG for Diagnostic Applications • Gold-plated • Increased Mating Cycles • Cost-effective |  |      |     |          |
| Part Number  | Description  | Size | AWG | Type     |
| 65-54749   | Male Contact - DiagnosticGrade™, Pin, Gold-plated      | 12   | 20  | Machined |
| AT62-210-1231-1820   | Female Contact - DiagnosticGrade™, Socket, Gold-plated | 12   | 20  | Machined |

| Tooling - Machined Contacts |  |
|-----------------------------|--|
| Part Number                 | Description  |
| AUTK-12                     | Hand Crimp Tool, Size 12   |
| AUTK-100                    | Universal Heavy Duty Contact Crimping Tool Kit, Size 12/16/20      |
| CA-5D12                     | Universal Hand Crimp Tool, Size 12/16/20                           |
| CA-5E12                     | Pneumatic Crimp Tool, Size 12/16/20                                |
| M300-25A                    | Hand Crimp Tool used with Crimp Locator MFX-3966, Size 12, 10AWG   |
| MFX-3966                    | Contact Locator used with Hand Crimp Tool M300-25A, Size 12, 10AWG |

| Stamped & Formed Contacts, Sockets & Pins |  |      |       |                  |
|---|--|------|-------|------------------|
| Part Number                               | Description                            | Size | AWG   | Type             |
| AT60-12-0244                              | Male Contact - Pin, Gold-plated        | 12   | 10-12 | Stamped & Formed |
| AT62-12-0244                              | Female Contact - Socket, Gold-plated   | 12   | 10-12 | Stamped & Formed |
| AT60-12-0222                              | Male Contact - Pin, Nickel-plated      | 12   | 10-12 | Stamped & Formed |
| AT62-12-0222                              | Female Contact - Socket, Nickel-plated | 12   | 10-12 | Stamped & Formed |
| AT60-12-0144                              | Male Contact - Pin, Gold-plated        | 12   | 12-14 | Stamped & Formed |
| AT62-12-0144                              | Female Contact - Socket, Gold-plated   | 12   | 12-14 | Stamped & Formed |
| AT60-12-0166                              | Male Contact - Pin, Nickel-plated      | 12   | 12-14 | Stamped & Formed |
| AT62-12-0166                              | Female Contact - Socket, Nickel-plated | 12   | 12-14 | Stamped & Formed |

| Tooling - Stamped & Formed Contacts |   |
|-------------------------------------|---|
| Part Number                         | Description                                 |
| MFX-3973                            | Crimp Die - Size 12                         |
| MFX-3985                            | Crimp Die - Ssize 12, 10-12AWG -02XX Series |
| ATT-12-00                           | Hand Crimp Tool - Size 12, 12AWG            |
| ATT-12-01                           | Hand Crimp Tool - Size 12, 10AWG            |

| Contact Removal Tools (For both Machined or Stamped & Formed Contacts) |  |
|--|--|
| Part Number  | Description                            |
| ATRT-100   | Contact and Wedgelock Extraction Tool  |
| AT11-337-1205  | Contact Removal Tool, Plastic, Size 12 |

| Sealing Plugs (For both Machined or Stamped & Formed Contacts) |                              |
|--|------------------------------|
| Part Number  | Description                  |
| A114017  | Sealing Plug, Size 12, White |

# A Series™ - Contact Size 16 Options (Works with: AT, ATV, AHD-9, ARC, DuraMate and PanelMate Series)

| Machined Contacts, Sockets & Pins |  |      |       |          |
|-----------------------------------|--|------|-------|----------|
| Part Number                       | Description                            | Size | AWG   | Type     |
| AT60-215-1631                     | Male Contact - Pin, Gold-plated        | 16   | 14    | Machined |
| AT62-209-1631                     | Female Contact - Socket, Gold-plated   | 16   | 14    | Machined |
| AT60-215-16141                    | Male Contact - Pin, Nickel-plated      | 16   | 14    | Machined |
| AT62-209-16141                    | Female Contact - Socket, Nickel-plated | 16   | 14    | Machined |
| AT60-202-1631                     | Male Contact - Pin, Gold-plated        | 16   | 16-20 | Machined |
| AT62-201-1631                     | Female Contact - Socket, Gold-plated   | 16   | 16-20 | Machined |
| AT60-202-16141                    | Male Contact - Pin, Nickel-plated      | 16   | 16-20 | Machined |
| AT62-201-16141                    | Female Contact - Socket, Nickel-plated | 16   | 16-20 | Machined |
| AT60-202-1631-22                  | Male Contact - Pin, Gold-plated        | 16   | 22-24 | Machined |
| AT62-201-1631-22                  | Female Contact - Socket, Gold-plated   | 16   | 22-24 | Machined |
| AT60-202-16141-22                 | Male Contact - Pin, Nickel-plated      | 16   | 22-24 | Machined |
| AT62-201-16141-22                 | Female Contact - Socket, Nickel-plated | 16   | 22-24 | Machined |

| Tooling - Machined Contacts |   |
|-----------------------------|---|
| Part Number                 | Description   |
| AUTK-16                     | Hand Crimp Tool, Size 16                                      |
| AUTK-100                    | Universal Heavy Duty Contact Crimping Tool Kit, Size 12/16/20 |
| CA-5D12                     | Universal Hand Crimp Tool, Size 12/16/20                      |
| CA-5E12                     | Pneumatic Crimp Tool, Size 12/16/20                           |

| Contact Removal Tools (For both Machined or Stamped & Formed Contacts) |  |
|--|--|
| Part Number  | Description                            |
| ATRT-100   | Contact and Wedgelock Extraction Tool  |
| AT11-310-1605  | Contact Removal Tool, Plastic, Size 16 |

| Sealing Plugs (For both Machined or Stamped & Formed Contacts) |   |
|--|---|
| Part Number  | Description                                     |
| A114017  | Sealing Plug, Size 16, White                    |
| A114017-SR   | Sealing Plug, Size 16, SR01 Series, Black       |
| AT13-217-1605  | Locking Sealing Plug, Size 16, Grey             |
| AT13-217-1605-SR   | Locking Sealing Plug, Size 16, SR01 Series, Red |

| Stamped & Formed Contacts, Sockets & Pins |  |      |       |                  |
|---|--|------|-------|------------------|
| Part Number                               | Description                            | Size | AWG   | Type             |
| AT60-14-0122                              | Male Contact - Pin, Nickel-plated      | 16   | 14-18 | Stamped & Formed |
| AT62-14-0122                              | Female Contact - Socket, Nickel-plated | 16   | 14-18 | Stamped & Formed |
| AT60-14-0144                              | Male Contact - Pin, Gold-plated        | 16   | 14-18 | Stamped & Formed |
| AT62-14-0144                              | Female Contact - Socket, Gold-plated   | 16   | 14-18 | Stamped & Formed |
| AT60-16-0122                              | Male Contact - Pin, Nickel-plated      | 16   | 16-18 | Stamped & Formed |
| AT62-16-0122                              | Female Contact - Socket, Nickel-plated | 16   | 16-18 | Stamped & Formed |
| AT60-16-0144                              | Male Contact - Pin, Gold-plated        | 16   | 16-18 | Stamped & Formed |
| AT62-16-0144                              | Female Contact - Socket, Gold-plated   | 16   | 16-18 | Stamped & Formed |
| AT60-16-0622                              | Male Contact - Pin, Nickel-plated      | 16   | 16-20 | Stamped & Formed |
| AT62-16-0622                              | Female Contact - Socket, Nickel-plated | 16   | 16-20 | Stamped & Formed |
| AT60-16-0644                              | Male Contact - Pin, Gold-plated        | 16   | 16-20 | Stamped & Formed |
| AT62-16-0644                              | Female Contact - Socket, Gold-plated   | 16   | 16-20 | Stamped & Formed |
| AT60-16-0677                              | Male Contact - Pin, Tin-plated         | 16   | 16-20 | Stamped & Formed |
| AT62-16-0677                              | Female Contact - Socket, Tin-plated    | 16   | 16-20 | Stamped & Formed |
| AT60-16-0822                              | Male Contact - Pin, Nickel-plated      | 16   | 20-22 | Stamped & Formed |
| AT62-16-0822                              | Female Contact - Socket, Nickel-plated | 16   | 20-22 | Stamped & Formed |
| AT60-16-0844                              | Male Contact - Pin, Gold-plated        | 16   | 20-22 | Stamped & Formed |
| AT62-16-0844                              | Female Contact - Socket, Gold-plated   | 16   | 20-22 | Stamped & Formed |

| Tooling - Stamped & Formed Contacts |                                     |
|-------------------------------------|-------------------------------------|
| MFX-3950                            | Crimp Die - Size 16, 18-20AWG       |
| MFX-3953                            | Crimp Die - Size 16, 16-18AWG       |
| MFX-3975                            | Crimp Die - Size 16, 14-16AWG       |
| MFX-3990                            | Crimp Die - Size 16, 20-22AWG       |
| ATT-16-00                           | Hand Crimp Tool - Size 16, 14-16AWG |
| ATT-16-01                           | Hand Crimp Tool - Size 16, 18-20AWG |
| ATT-1612-03                         | Hand Crimp Tool - Size 16, 20-22AWG |