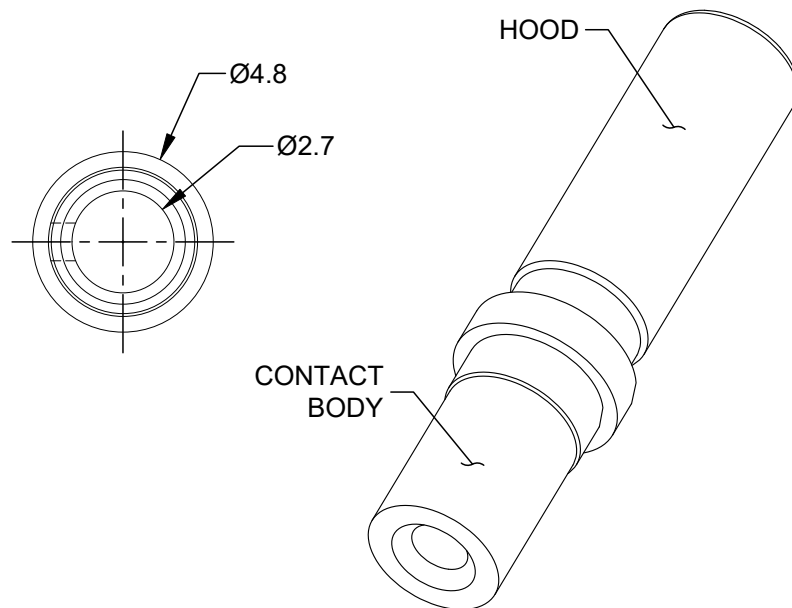
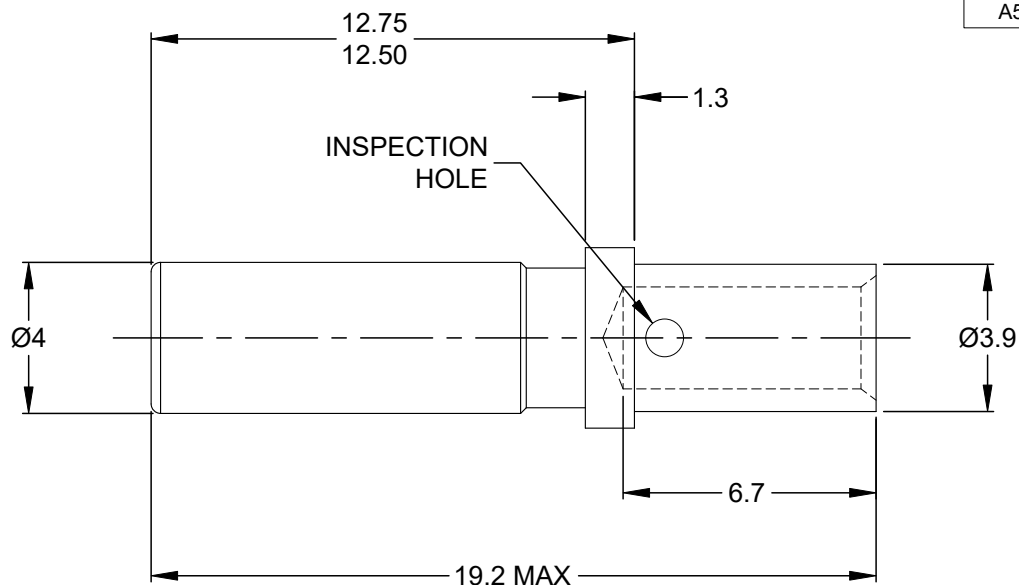


REVISIONS

| REV | ECO | DESCRIPTION | DATE | BY | APPR |
|-----|-----|-----------------------------|-----------|-----|------|
| A3 | - | RELEASE NEW DRAWING FORMAT | 08/OCT/13 | DRP | - |
| A4 | - | MATCHED DIMS TO NEW TOOLING | 28JAN15 | JAH | - |
| A5 | - | ADDED LIMIT DIM AND MAX DIM | 08DEC23 | CJF | - |



NOTES: UNLESS OTHERWISE SPECIFIED

1. MATERIAL: COPPER ALLOY; NICKEL PLATED
2. CONTACT SIZE: 12
3. SPECIFICATIONS:
 - 3.1 CURRENT RATING: 25 AMP
 - 3.2 CONTACT MILLIVOLT DROP: 60 MILLIVOLT DROP @ 25 AMP TEST CURRENT.
 - 3.3 ROHS COMPLIANT
4. RECOMMENDED WIRE RANGE: 12 - 14 AWG
5. AVAILABLE HAND CRIMPER: CA-5D12
6. ALL DIMENSIONS ARE FOR REFERENCE USE ONLY

| | | | | |
|---------------------------------------|----------------|--|------|----------------|
| AT62-203-12141 | | | | |
| PART NUMBER | | DESCRIPTION | | ITEM |
| QUANTITY | MATERIALS LIST | | | |
| UNLESS OTHERWISE SPECIFIED | | SIGNATURES | | DATE |
| 1) All dimensions are in metric (mm). | | DRAWN: D.PARKS | | 08/OCT/13 |
| 2) Tolerances are as follows: | | CHECKED: | | |
| 1 PL DEC ±0.30 | | ENGINEER: | | |
| 2 PL DEC ±0.15 | | APPROVAL: | | |
| 3 PL DEC ±0.08 | | CUSTOMER: | | |
| 3) Note reference = | | THIS DRAWING IS SUPPLIED FOR INFORMATION ONLY. DESIGN FEATURES, SPECIFICATIONS AND PERFORMANCE DATA SHOWN HEREON ARE THE PROPERTY OF THE AMPHENOL CORPORATION. NO RIGHTS OF REPRODUCTION ARE IMPLIED. ALL DIMENSIONS ARE SUBJECT TO NORMAL MANUFACTURING VARIATIONS. | | |
| MATERIAL SPECIFICATIONS: | | CONTACT, SOCKET, SOLID, SIZE 12, 12-14 AWG, ATP & AHD-6 SERIES | | |
| PROCESS SPECIFICATIONS: | | SIZE | TYPE | DWG NO: |
| NEXT ASSY: | | A | C- | AT62-203-12141 |
| | | SCALE: NONE | | REVISION |
| | | | | A5 |
| | | SHEET 1 OF 1 | | |