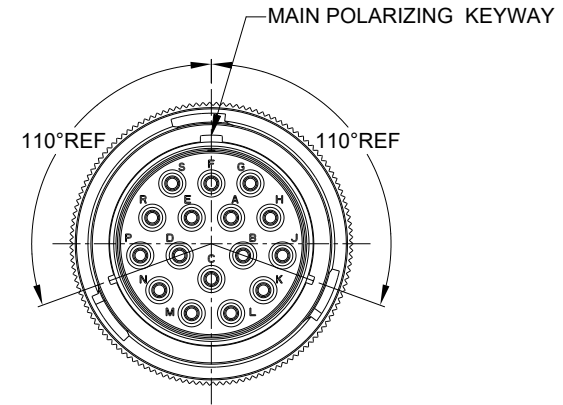
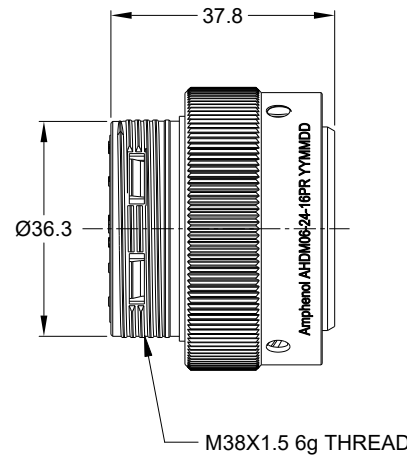
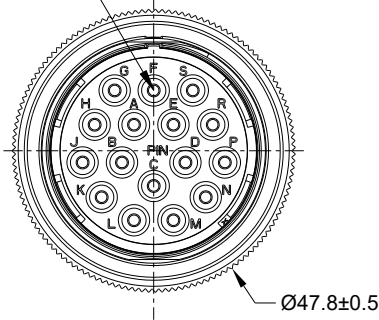


| REVISIONS | | | | | |
|-----------|-----|---------------------|---------|--------|-------|
| REV | ECO | DESCRIPTION | DATE | BY | APPR |
| A1 | -- | RELEASE NEW DRAWING | 26AUG20 | SULLEN | TOMMY |

△ 6 SIZE 12 CONTACTS
(16 PLACES)



NOTES: UNLESS OTHERWISE SPECIFIED

1. MATERIAL:

SHELL: ZINC ALLOY, NICKEL PLATED
COUPLING RING: ALUMINUM ALLOY, NICKEL PLATED
INSERT AND RETAINING RING: THERMOPLASTIC
SEAL: SILICONE RUBBER

2. MODIFICATIONS: THREADED ADAPTER;
REDUCED DIA. WIRE SEAL.

3. SPECIFICATIONS:

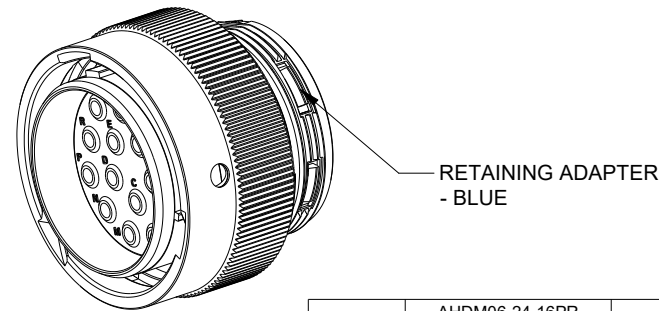
- 3.1 OPERATING TEMPERATURE: -55°C TO +125°C.
- 3.2 DIELECTRIC WITHSTANDING VOLTAGE: LESS THAN 2 MILLIAMPS CURRENT LEAKAGE @ 1500 VOLTS AC.
- 3.3 INSULATION RESISTANCE: 1000 MEGOHM MIN @ 25°C.
- 3.4 MOISTURE RESISTANCE: IP67&IP69K (MATED CONDITION).
- 3.5 MATING CYCLE DURABILITY: 100 CYCLES
- 3.6 RoHS COMPLIANT

4. MATING PART: AHDM04-24-16S* (* = SEAL TYPE)

5. ALL DIMENSIONS ARE FOR REFERENCE USE ONLY.

△ 6 CONTACT SIZE AND WIRE RANGE:

| CONTACT SIZE | MIN. INSUL O.D. | MAX. INSUL O.D. | TYPICAL WIRE RANGE | CURRENT RATING |
|--------------|----------------------|----------------------|--|----------------|
| 12 | 2.46 mm (.097 in) | 4.01 mm (.158 in) | 10-14 AWG (6.0-2.0mm ²) | 25 AMPS |



RETAINING ADAPTER
- BLUE

| AHDM06-24-16PR | | REF: HD36-24-16PE | | DESCRIPTION | | ITEM |
|--|--|--|--|-----------------------|--|---|
| PART NUMBER | | DESCRIPTION | | | | |
| QUANTITY | | MATERIALS LIST | | | | |
| UNLESS OTHERWISE SPECIFIED | | SIGNATURES | | DATE | | <p>Amphenol</p> <p>Sine Systems - www.amphenol-sine.com 44724 Morley Drive Clinton Township, MI 48036</p> <p>PLUG, 24 SZ, 16 PIN, REVERSER ARRANGEMENT, RD SEAL, AHDM SERIES</p> |
| 1) All dimensions are in metric (mm). | | DRAWN: SULLEN, ZHANG | | 26AUG20 | | |
| 2) Tolerances are as follows: | | CHECKED: ORION LI | | 27AUG20 | | |
| 1 PL DEC ±0.30 2 PL DEC ±0.15 3 PL DEC ±0.08 | | ENGINEER: | | | | |
| 3) Note reference = △ | | APPROVAL: TOMMY, XIE | | 28AUG20 | | |
| MATERIAL SPECIFICATIONS: | | CUSTOMER: | | | | |
| PROCESS SPECIFICATIONS: | | THIS DRAWING IS SUPPLIED FOR INFORMATION ONLY. DESIGN FEATURES, SPECIFICATIONS AND PERFORMANCE DATA SHOWN HEREON ARE THE PROPERTY OF THE AMPHENOL CORPORATION. NO RIGHTS OF REPRODUCTION ARE IMPLIED. ALL DIMENSIONS ARE SUBJECT TO NORMAL MANUFACTURING VARIATIONS. | | | | |
| NEXT ASSY: | | SCALE: NONE | | DWG NO: AHD06-24-16PR | | REVISION: A1 |
| | | | | SHEET 1 OF 1 | | |

TITLE: PLUG, 24 SZ, 16 PIN, REVERSER ARRANGEMENT, RD SEAL, AHDM SERIES

DWG NO:

AHD06-24-16PR

REV: A1

SH: 1

OF: 1

A Series™ - Contact Size 12 Options (Works with: AHD-6, ATP, ATHD, DuraMate and PanelMate Series)

| Machined Contacts, Sockets & Pins | | | | |
|-----------------------------------|--|------|-------|----------|
| Part Number | Description | Size | AWG | Type |
| *AT60-204-12141-10 | Male Contact - Pin, Nickel-plated | 12 | 10-12 | Machined |
| *AT62-203-12141-10 | Female Contact - Socket, Nickel-plated | 12 | 10-12 | Machined |
| AT60-220-1231 | Male Contact - Pin, Gold-plated | 12 | 12-14 | Machined |
| AT62-210-1231 | Female Contact - Socket, Gold-plated | 12 | 12-14 | Machined |
| AT60-204-12141 | Male Contact - Pin, Nickel-plated | 12 | 12-14 | Machined |
| AT62-203-12141 | Female Contact - Socket, Nickel-plated | 12 | 12-14 | Machined |

*Works with ATP Series only

| DiagnosticGrade™ Machined Contacts, Sockets & Pins | | | | |
|--|--|------|-----|----------|
| • Smaller AWG for Diagnostic Applications • Gold-plated • Increased Mating Cycles • Cost-effective | | | | |
| Part Number | Description | Size | AWG | Type |
| 65-54749 | Male Contact - DiagnosticGrade™, Pin, Gold-plated | 12 | 20 | Machined |
| AT62-210-1231-1820 | Female Contact - DiagnosticGrade™, Socket, Gold-plated | 12 | 20 | Machined |

| Tooling - Machined Contacts | |
|-----------------------------|--|
| Part Number | Description |
| AUTK-12 | Hand Crimp Tool, Size 12 |
| AUTK-100 | Universal Heavy Duty Contact Crimping Tool Kit, Size 12/16/20 |
| CA-5D12 | Universal Hand Crimp Tool, Size 12/16/20 |
| CA-5E12 | Pneumatic Crimp Tool, Size 12/16/20 |
| M300-25A | Hand Crimp Tool used with Crimp Locator MFX-3966, Size 12, 10AWG |
| MFX-3966 | Contact Locator used with Hand Crimp Tool M300-25A, Size 12, 10AWG |

| Contact Removal Tools (For both Machined or Stamped & Formed Contacts) | |
|--|--|
| Part Number | Description |
| ATRT-100 | Contact and Wedgelock Extraction Tool |
| AT11-337-1205 | Contact Removal Tool, Plastic, Size 12 |

| Sealing Plugs (For both Machined or Stamped & Formed Contacts) | |
|--|------------------------------|
| Part Number | Description |
| A114017 | Sealing Plug, Size 12, White |

| Stamped & Formed Contacts, Sockets & Pins | | | | |
|---|--|------|-------|------------------|
| Part Number | Description | Size | AWG | Type |
| AT60-12-0244 | Male Contact - Pin, Gold-plated | 12 | 10-12 | Stamped & Formed |
| AT62-12-0244 | Female Contact - Socket, Gold-plated | 12 | 10-12 | Stamped & Formed |
| AT60-12-0222 | Male Contact - Pin, Nickel-plated | 12 | 10-12 | Stamped & Formed |
| AT62-12-0222 | Female Contact - Socket, Nickel-plated | 12 | 10-12 | Stamped & Formed |
| AT60-12-0144 | Male Contact - Pin, Gold-plated | 12 | 12-14 | Stamped & Formed |
| AT62-12-0144 | Female Contact - Socket, Gold-plated | 12 | 12-14 | Stamped & Formed |
| AT60-12-0166 | Male Contact - Pin, Nickel-plated | 12 | 12-14 | Stamped & Formed |
| AT62-12-0166 | Female Contact - Socket, Nickel-plated | 12 | 12-14 | Stamped & Formed |

| Tooling - Stamped & Formed Contacts | |
|-------------------------------------|---|
| Part Number | Description |
| MFX-3973 | Crimp Die - Size 12 |
| MFX-3985 | Crimp Die - Ssize 12, 10-12AWG -02XX Series |
| ATT-12-00 | Hand Crimp Tool - Size 12, 12AWG |
| ATT-12-01 | Hand Crimp Tool - Size 12, 10AWG |