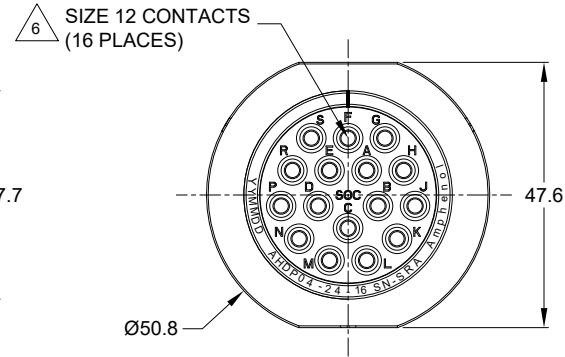
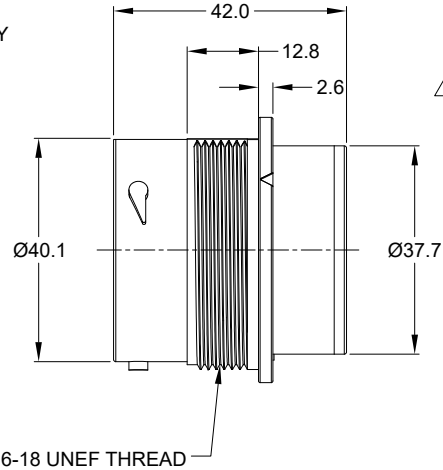
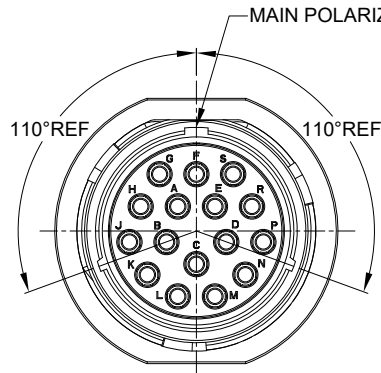


| REVISIONS |     |                     |         |     |       |
|-----------|-----|---------------------|---------|-----|-------|
| REV       | ECO | DESCRIPTION         | DATE    | BY  | APPR  |
| A1        | --  | RELEASE NEW DRAWING | 11MAY20 | IAN | TOMMY |
| A2        | --  | MODIFY PRODUCT NAME | 11AUG20 | IAN | TOMMY |



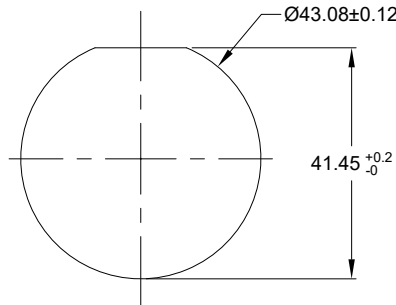
NOTES: UNLESS OTHERWISE SPECIFIED

- MATERIAL:  
HOUSING: THERMOPLASTIC; BLACK  
SEAL: SILICONE RUBBER
- MODIFICATIONS: SMOOTH RING ADAPTER(SRA);  
STANDARD DIA. WIRE SEAL.
- SPECIFICATIONS:  
3.1 OPERATING TEMPERATURE: -55°C TO +125°C.  
3.2 DIELECTRIC WITHSTANDING VOLTAGE: LESS THAN 2  
MILLIAMPS CURRENT LEAKAGE @ 1500 VOLTS AC.  
3.3 INSULATION RESISTANCE: 1000 MEGOHM MIN @ 25°C.  
3.4 MOISTURE RESISTANCE: IP67&IP69K ( MATED CONDITION ).  
3.5 MATING CYCLE DURABILITY: 100 CYCLES  
3.6 RoHS COMPLIANT
- MATING PART: AHDP06-24-16P\* (\* = SEAL TYPE )
- ALL DIMENSIONS ARE FOR REFERENCE USE ONLY.

△ CONTACT SIZE AND WIRE RANGE:

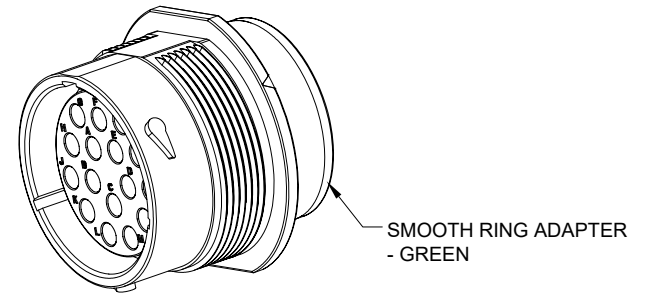
| CONTACT SIZE | MIN. INSUL O.D.   | MAX. INSUL O.D.   | TYPICAL WIRE RANGE                  | CURRENT RATING |
|--------------|-------------------|-------------------|-------------------------------------|----------------|
| 12           | 3.40 mm (.134 in) | 4.32 mm (.170 in) | 10-14 AWG (6.0-2.0mm <sup>2</sup> ) | 25 AMPS        |

7. RECEPTACLE IS SUPPLIED WITH DUST CAP.



RECOMMENDED PANEL MOUNTING HOLE

RECOMMENDED PANEL THICKNESS: 1.6 TO 4.7MM



SMOOTH RING ADAPTER - GREEN

| AHDP04-24-16SN-SRA   |                | REF:HDP24-24-16SN |  |  |                            |
|--|----------------|-------------------|--|--|----------------------------|
| PART NUMBER  |                | DESCRIPTION       |  |  |                            |
| QUANTITY   | MATERIALS LIST |                   |  | ITEM   |                            |
| UNLESS OTHERWISE SPECIFIED:<br>1) All dimensions are in metric(mm).<br>2) Tolerances are as follows:<br>1 PL DEC ±0.30 Fractions ±1/64<br>2 PL DEC ±0.15 Angles ±1°<br>3 PL DEC ±0.08<br>3) Note reference = △ |                |                   |  | SIGNATURES   | DATE                       |
| DRAWN: IAN XIAO  |                |                   |  | 11AUG20  |                            |
| CHECKED: ORION LI  |                |                   |  | 12AUG20  |                            |
| ENGINEER:  |                |                   |  |  |                            |
| APPROVAL: TOMMY XIE  |                |                   |  | 13AUG20  |                            |
| MATERIAL SPECIFICATIONS:   |                |                   |  | CUSTOMER:  |                            |
| PROCESS SPECIFICATIONS:  |                |                   |  | THIS DRAWING IS SUPPLIED FOR INFORMATION ONLY. DESIGN FEATURES, SPECIFICATIONS AND PERFORMANCE DATA SHOWN HEREON ARE THE PROPERTY OF THE AMPHENOL CORPORATION. NO RIGHTS OF REPRODUCTION ARE IMPLIED. ALL DIMENSIONS ARE SUBJECT TO NORMAL MANUFACTURING VARIATIONS. |                            |
| NEXT ASSY:   |                |                   |  | SIZE   | TYPE                       |
|  |                |                   |  | B  | C-                         |
|  |                |                   |  | SCALE: NONE  | DWG NO: AHDP04-24-16SN-SRA |
|  |                |                   |  | SHEET 1  | OF 1                       |
|  |                |                   |  | REVISION   | A2                         |
|  |                |                   |  | RECEPT., SIZE 24,16-SOCKET, NORMAL SEAL, SRA, DURAMATE AHDP SERIES   |                            |
|  |                |                   |  | Sine Systems - www.amphenol-sine.com<br>44724 Morley Drive<br>Clinton Township, MI 48036   |                            |

TITLE RECEPT. SIZE 24,16-SOCKET, NORMAL SEAL, SRA, DURAMATE AHDP SERIES  
DWG NO: AHDP04-24-16SN-SRA  
REV: A2  
SH: 1  
OF: 1

# A Series™ - Contact Size 12 Options (Works with: AHD-6, ATP, ATHD, DuraMate and PanelMate Series)

| Machined Contacts, Sockets & Pins |  |      |       |          |
|-----------------------------------|--|------|-------|----------|
| Part Number                       | Description                            | Size | AWG   | Type     |
| *AT60-204-12141-10                | Male Contact - Pin, Nickel-plated      | 12   | 10-12 | Machined |
| *AT62-203-12141-10                | Female Contact - Socket, Nickel-plated | 12   | 10-12 | Machined |
| AT60-220-1231                     | Male Contact - Pin, Gold-plated        | 12   | 12-14 | Machined |
| AT62-210-1231                     | Female Contact - Socket, Gold-plated   | 12   | 12-14 | Machined |
| AT60-204-12141                    | Male Contact - Pin, Nickel-plated      | 12   | 12-14 | Machined |
| AT62-203-12141                    | Female Contact - Socket, Nickel-plated | 12   | 12-14 | Machined |

\*Works with ATP Series only

| DiagnosticGrade™ Machined Contacts, Sockets & Pins   |  |      |     |          |
|--|--|------|-----|----------|
| • Smaller AWG for Diagnostic Applications • Gold-plated • Increased Mating Cycles • Cost-effective |  |      |     |          |
| Part Number  | Description  | Size | AWG | Type     |
| 65-54749   | Male Contact - DiagnosticGrade™, Pin, Gold-plated      | 12   | 20  | Machined |
| AT62-210-1231-1820   | Female Contact - DiagnosticGrade™, Socket, Gold-plated | 12   | 20  | Machined |

| Tooling - Machined Contacts |  |
|-----------------------------|--|
| Part Number                 | Description  |
| AUTK-12                     | Hand Crimp Tool, Size 12   |
| AUTK-100                    | Universal Heavy Duty Contact Crimping Tool Kit, Size 12/16/20      |
| CA-5D12                     | Universal Hand Crimp Tool, Size 12/16/20                           |
| CA-5E12                     | Pneumatic Crimp Tool, Size 12/16/20                                |
| M300-25A                    | Hand Crimp Tool used with Crimp Locator MFX-3966, Size 12, 10AWG   |
| MFX-3966                    | Contact Locator used with Hand Crimp Tool M300-25A, Size 12, 10AWG |

| Contact Removal Tools (For both Machined or Stamped & Formed Contacts) |  |
|--|--|
| Part Number  | Description                            |
| ATRT-100   | Contact and Wedgelock Extraction Tool  |
| AT11-337-1205  | Contact Removal Tool, Plastic, Size 12 |

| Sealing Plugs (For both Machined or Stamped & Formed Contacts) |                              |
|--|------------------------------|
| Part Number  | Description                  |
| A114017  | Sealing Plug, Size 12, White |

| Stamped & Formed Contacts, Sockets & Pins |  |      |       |                  |
|---|--|------|-------|------------------|
| Part Number                               | Description                            | Size | AWG   | Type             |
| AT60-12-0244                              | Male Contact - Pin, Gold-plated        | 12   | 10-12 | Stamped & Formed |
| AT62-12-0244                              | Female Contact - Socket, Gold-plated   | 12   | 10-12 | Stamped & Formed |
| AT60-12-0222                              | Male Contact - Pin, Nickel-plated      | 12   | 10-12 | Stamped & Formed |
| AT62-12-0222                              | Female Contact - Socket, Nickel-plated | 12   | 10-12 | Stamped & Formed |
| AT60-12-0144                              | Male Contact - Pin, Gold-plated        | 12   | 12-14 | Stamped & Formed |
| AT62-12-0144                              | Female Contact - Socket, Gold-plated   | 12   | 12-14 | Stamped & Formed |
| AT60-12-0166                              | Male Contact - Pin, Nickel-plated      | 12   | 12-14 | Stamped & Formed |
| AT62-12-0166                              | Female Contact - Socket, Nickel-plated | 12   | 12-14 | Stamped & Formed |

| Tooling - Stamped & Formed Contacts |   |
|-------------------------------------|---|
| Part Number                         | Description                                 |
| MFX-3973                            | Crimp Die - Size 12                         |
| MFX-3985                            | Crimp Die - Ssize 12, 10-12AWG -02XX Series |
| ATT-12-00                           | Hand Crimp Tool - Size 12, 12AWG            |
| ATT-12-01                           | Hand Crimp Tool - Size 12, 10AWG            |