

注記 NOTES

- △1 材料 : TABLE 1参照
MATERIAL : SEE TABLE 1.
- △2 (極数/2)=偶数 に適用。
APPLY TO (CIRCUIT /2) = EVEN.
- △3 製品仕様書、コネクタ取扱説明書、適合嵌合相手、適合端子、適合リテーナーはSHEET 2をご参照ください。
PLEASE REFER TO SHEET 2 FOR PRODUCT SPECIFICATION, APPLICATION SPECIFICATION, MATE WITH, APPLICABLE CRIMP TERMINAL, APPLICABLE RETAINER.
- △4 発注番号 : SHEET 2 参照
ORDER NUMBER : PLEASE REFER TO SHEET 2

214527 ** 0 *

極数
CIRCUIT SIZE

番号 NO.	ハウジングカラー HOUSING COLOR
0	ナチュラル (白) NATURAL (WHITE)
1	黒 BLACK
2	赤 RED
4	青 BLUE

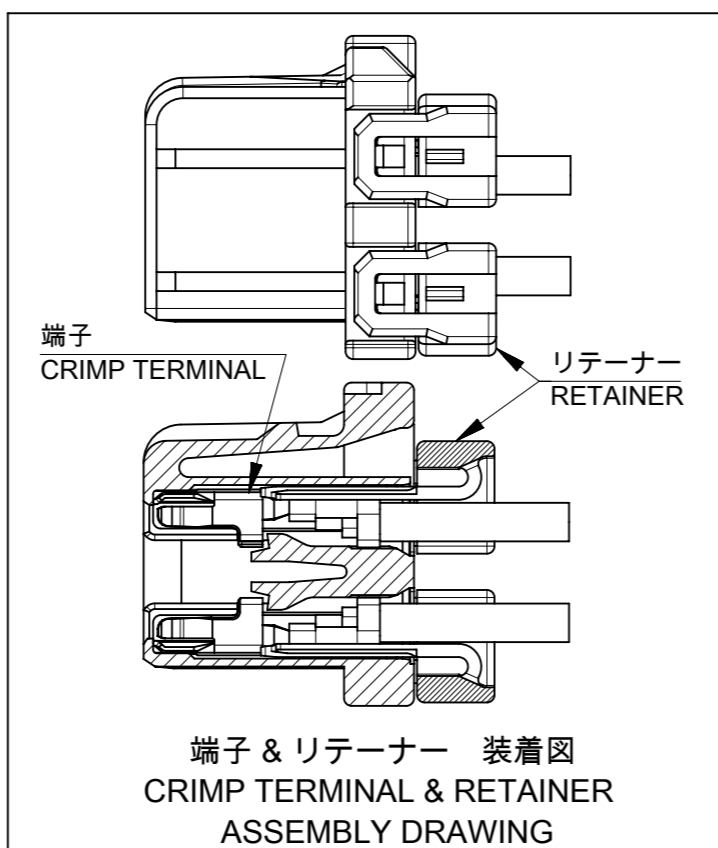
13.75	18.45	24
12.5	17.2	22
11.25	15.95	20
10	14.7	18
8.75	13.45	16
7.5	12.2	14
6.25	10.95	12
5	9.7	10
3.75	8.45	8

B	A	極数 CIRCUIT SIZE
---	---	--------------------

△1 TABLE 1

部品 PART	材質 MATERIAL
ハウジング HOUSING	PBT UL94V-0 色およびローハロゲン対応 : SHEET2参照 PBT UL94V-0 COLOR AND LOW-HALOGEN:SEE SHEET 2.

DOCUMENT STATUS	P1	RELEASE DATE	2023/09/15	07:11:24
-----------------	----	--------------	------------	----------



端子 & リテーナー 装着図
CRIMP TERMINAL & RETAINER
ASSEMBLY DRAWING

DIMENSION UNITS		SCALE	CURRENT REV DESC:		
mm	NTS				
GENERAL TOLERANCES (UNLESS SPECIFIED)					
ANGULAR TOL	±	3.0 °			
4 PLACES	±	0.2	EC NO: 761705	2023/07/25	
3 PLACES	±	0.2	DRWN: SOKUMURA01	2023/09/15	
2 PLACES	±	0.2	CHK'D: SAKIYAMA	2023/09/15	
1 PLACE	±	0.2	APPR: AIDA	2023/09/15	
0 PLACES	±	0.2	INITIAL REVISION:		
DRAFT WHERE APPLICABLE MUST REMAIN WITHIN DIMENSIONS			DRWN: RTANAKA02	2020/05/13	
THIRD ANGLE PROJECTION			APPR: AIDA	2022/11/28	
DRAWING		SERIES	MATERIAL NUMBER	CUSTOMER	SHEET NUMBER
A3-SIZE		214527	SEE SHEET 2	GENERAL	1 OF 2

molex

MICRO-LOCK PLUS 1.25
DUAL ROW RECEPTACLE HOUSING TPA TYPE

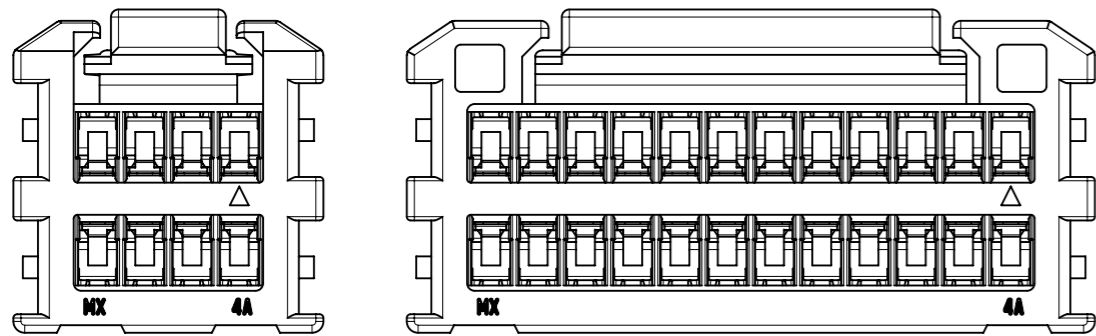
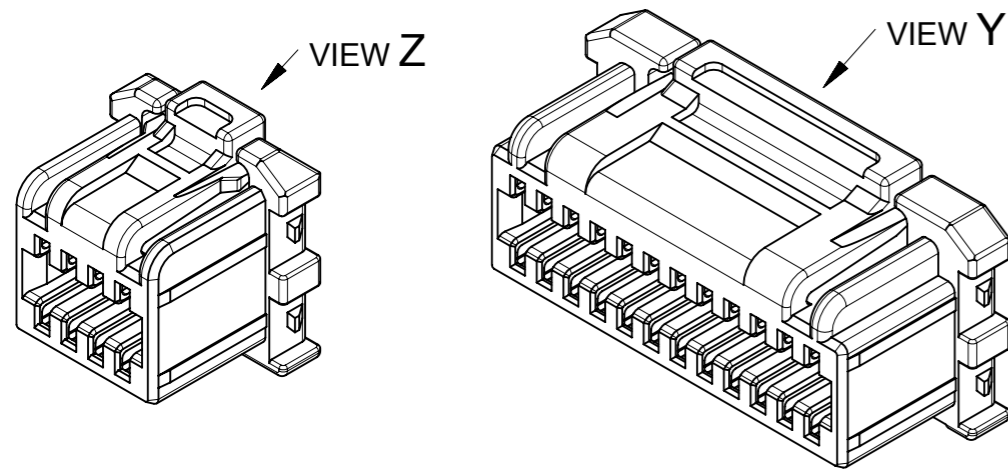
PRODUCT CUSTOMER DRAWING

DOCUMENT NUMBER DOC TYPE DOC PART REVISION

2145270000-SD PSD 000 B

SEE SHEET 2 GENERAL 1 OF 2

製品形状
PRODUCT SHAPE



VIEW Z
8-14極
8-14 CIRCUIT

VIEW Y
16-24極
16-24 CIRCUIT

△3 適合製品及び各種仕様書
APPLICABLE PRODUCTS AND VARIOUS SPECIFICATIONS

梱包仕様書 PACKAGING SPECIFICATION	SPECIFICATION NUMBER 2145279200-SPK PS 200		
適合端子 APPLICABLE CRIMP TERMINAL	PART NUMBER	PLATING TYPE	WIRE SIZE(AWG)
	5054311000 NOT APPLICABLE TO RETAINER	TIN	#26-30
	2145291000 APPLICABLE TO RETAINER	TIN	
適合リテーナー APPLICABLE RETAINER	SERIES NUMBER 214528		

SMT

適合嵌合相手 MATE WITH	タイプ TYPE	TIN PLATING				
	シリーズ番号 SERIES NUMBER	VERTICAL	RIGHT ANGLE	VERTICAL	RIGHT ANGLE	VERTICAL (FOR POTTING)
		8-24 CIRCUIT				8-14 CIRCUIT
ローハロゲン対応 LOW HALOGEN COMPLIANT	505433	505448	204520	204519	207760	
製品仕様書 PRODUCT SPECIFICATION	NOT COMPLIANT				COMPLIANT	COMPLIANT (NATURAL, BLACK)
コネクタ取扱説明書 APPLICATION SPECIFICATION	2145270000-PS PS 000				2145270001-PS PS 000	
	5054320000-AS PS 000					

製品嵌合図は各"適合嵌合相手"図面参照のこと
MATING VIEW : REFER TO EACH "MATE WITH" PART DRAWING.

△4 214527**0* 発注番号一覧 ORDER NUMBER LIST

NOT COMPLIANT		COMPLIANT		LOW-HALOGEN
BLUE	RED	BLACK	NATURAL(WHITE)	HOUSING COLOR
2145272404	2145272402	2145272401	2145272400	24
2145272204	2145272202	2145272201	2145272200	22
2145272004	2145272002	2145272001	2145272000	20
2145271804	2145271802	2145271801	2145271800	18
2145271604	2145271602	2145271601	2145271600	16
2145271404	2145271402	2145271401	2145271400	14
2145271204	2145271202	2145271201	2145271200	12
2145271004	2145271002	2145271001	2145271000	10
2145270804	2145270802	2145270801	2145270800	8
発注番号 ORDER NUMBER				極数 CIRCUIT SIZE
梱包形態 : ポリ袋 PACKAGING : POLYBAG PACKAGE				

THIS DRAWING CONTAINS INFORMATION THAT IS PROPRIETARY TO MOLEX ELECTRONIC TECHNOLOGIES, LLC AND SHOULD NOT BE USED WITHOUT WRITTEN PERMISSION									
DIMENSION UNITS mm	SCALE NTS	CURRENT REV DESC:			molex				
GENERAL TOLERANCES (UNLESS SPECIFIED)		EC NO: 761705 DRWN: SOKUMURA01 2023/07/25 CHK'D: SAKIYAMA 2023/09/15 APPR: AIDA 2023/09/15							
ANGULAR TOL	± 3.0°	INITIAL REVISION:			DOCUMENT NUMBER		DOC TYPE	DOC PART	REVISION
4 PLACES	± 0.2	DRWN: RTANAKA02 2020/05/13			2145270000-SD		PSD	000	B
3 PLACES	± 0.2	APPR: AIDA 2022/11/28			SEE SHEET 2		GENERAL		2 OF 2
2 PLACES	± 0.2	THIRD ANGLE PROJECTION			DRAWING	SERIES	MATERIAL NUMBER	CUSTOMER	SHEET NUMBER
1 PLACE	± 0.2	DRAFT WHERE APPLICABLE MUST REMAIN WITHIN DIMENSIONS			A3-SIZE	214527	SEE SHEET 2	GENERAL	2 OF 2
0 PLACES	± 0.2								