



PT30 SERIES

- Gauge, compound, absolute and vacuum ranges from 2 psig to 15,000 psig
- Compact size
- Current and voltage outputs available
- 316 Stainless Steel wetted parts
- RoHS compliant
- Built to CE standards to suppress RFI, EMI and ESD
- cULus pending

APPLICATIONS

- Hydraulics & pneumatics
- Automotive
- Pumps & compressors
- Refrigeration controls
- Mobile equipment
- General industrial

SPECIFICATIONS

Output signals	4 mA to 20 mA, 2-wire; 0 Vdc to 5 Vdc, 3-wire; 1 Vdc to 5 Vdc, 3-wire; 0 Vdc to 10 Vdc, 3-wire; 0.5 to 4.5 Vdc, 3-wire; 0.5 to 4.5 Vdc ratiometric, 3-wire	
Pressure ranges	Gauge, compound, absolute and vacuum ranges from 2 psi to 15,000 psi	
Accuracy*	±0.25% of span, non-linearity best fit straight line per IEC 61298-2 at reference conditions	
Response time	< 1 ms	
Service life	> 10 million load cycles	
Temperature ranges*	Compensated :	-4 °F to 185 °F (-20 °C to 85 °C)
	Media:	-22 °F to 221 °F (-30 °C to 105 °C)
	Ambient:	-4 °F to 185 °F (-20 °C to 85 °C)
	Storage:	-40 °F to 257 °F (-40 °C to 125 °C)
Power requirement*	12 Vdc to 36 Vdc:	4 mA to 20 mA, 2-wire 0 Vdc to 5 Vdc, 3-wire 1 Vdc to 5 Vdc, 3-wire 0 Vdc to 10 Vdc, 3-wire 0.5 to 4.5 Vdc non-ratiometric, 3-wire
	4.5 Vdc to 5.5 Vdc:	0.5 to 4.5 Vdc ratiometric, 3-wire
Proof pressure	< 7,500 psi:	2 times full scale
	7,500 – 10,000 psi:	1.5 times full scale
	> 10,000 psi:	1.2 times full scale
Burst pressure	< 7,500 psi:	3 times full scale
	7,500 – 10,000 psi:	2 times full scale
	> 10,000 psi:	1.5 times full scale
Measuring element	316 Stainless Steel	
Process connection	316 Stainless Steel	
Electrical connection	Stainless Steel and Glass Filled PA	
Housing material	304 Stainless Steel	
Environmental rating	IP65: DIN EN 175301-803 Form A, DIN EN 175301-803 Form C IP67: 4-pin Bayonet, 6-pin Bayonet, Packard, M12 x 1 (4-pin), Deutsch IP68: Integral cable (gauge reference devices < 400 psi are IP67)	
Electromagnetic rating	Immunity per IEC 61000-6-2 Radiation per IEC 61000-6-3	
Electrical protection	Reverse polarity and short circuit protection	
Shock	200 g's according to IEC 60068-2-27	
Vibration	20 g's according to IEC 60068-2-6	
Weight	Approximately 4.5 oz.	

* See user manual for detailed specifications

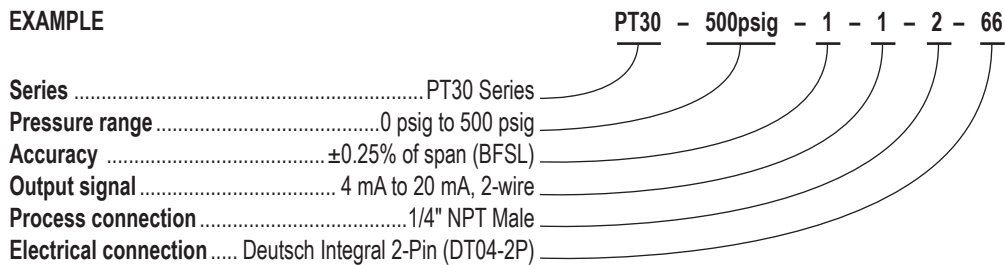


WARNING: This product can expose you to chemicals including Nickel, which is known to the State of California to cause cancer and birth defects or other reproductive harm. For more information go to www.P65Warnings.ca.gov

ORDERING INFORMATION						
SERIES	PT30					
PRESSURE RANGES	15psiv	-15 psig to 0 psig	15psig 0 psig to 15 psig	1000psig 0 psig to 1,000 psig	15psia 0 psia to 15 psia	
	15psic	-15 psig to 15 psig	30psig 0 psig to 30 psig	1500psig 0 psig to 1,500 psig	30psia 0 psia to 30 psia	
	30psic	-15 psig to 30 psig	60psig 0 psig to 60 psig	2000psig 0 psig to 2,000 psig	60psia 0 psia to 60 psia	
	60psic	-15 psig to 60 psig	100psig 0 psig to 100 psig	3000psig 0 psig to 3,000 psig	100psia 0 psia to 100 psia	
	100psic	-15 psig to 100 psig	150psig 0 psig to 150 psig	4000psig 0 psig to 4,000 psig	150psia 0 psia to 150 psia	
	200psic	-15 psig to 200 psig	200psig 0 psig to 200 psig	5000psig 0 psig to 5,000 psig	200psia 0 psia to 200 psia	
	300psic	-15 psig to 300 psig	300psig 0 psig to 300 psig	6000psig 0 psig to 6,000 psig	300psia 0 psia to 300 psia	
	2psig	0 psig to 2 psig	500psig 0 psig to 500 psig	7500psig 0 psig to 7,500 psig		
	5psig	0 psig to 5 psig	600psig 0 psig to 600 psig	10000psig 0 psig to 10,000 psig		
	10psig	0 psig to 10 psig	750psig 0 psig to 750 psig	15000psig 0 psig to 15,000 psig		
psiv = vacuum gauge pressure psic = compound gauge pressure psig = gauge pressure psia = absolute pressure Other ranges available upon request.						
ACCURACY	1 ±0.25% (of span, non-linearity, BFSL per IEC 61298-2 at reference conditions)					
OUTPUT SIGNALS	1	4 mA to 20 mA, 2-wire	3	1 Vdc to 5 Vdc, 3-wire	13	0.5 Vdc to 4.5 Vdc, 3-wire (ratiometric)
	2	0 Vdc to 5 Vdc, 3-wire	5	0 Vdc to 10 Vdc, 3-wire	31	0.5 Vdc to 4.5 Vdc, 3-wire (non-ratiometric)
PROCESS CONNECTIONS	1	1/8" NPT male	24	7/16-20 Female Schrader	72	9/16-18 Male SAE -6 (J1926-2)
	2	1/4" NPT male	46	G 1/4 A Male ISO 1179-2		
	8	1/2" NPT male	50	7/16-20 Male SAE -4 (J1926-2)		
ELECTRICAL CONNECTIONS	2	4-pin Bayonet	17	DIN EN 175301-803 Form C w/ 3 ft. cable	46	Deutsch Integral 3-Pin (DT04-3P)
	3	6-pin Bayonet	18	DIN EN 175301-803 Form A w/ 3 ft. cable	66	Deutsch Integral 2-Pin (DT04-2P)
	7	DIN EN 175301-803 Form C	21	Deutsch Integral 4-Pin (DT04-4P)	70	DIN EN 175301-803 Form C w/o mating connector
	8	DIN EN 175301-803 Form A	25	M12 x 1 (4-pin)	80	DIN EN 175301-803 Form A w/o mating connector
	14	DIN EN 175301-803 Form A w/ 1/2" NPT female conduit	34	Packard 3-Pin		
			36	3 ft. Integral cable		
OPTION	ST8 Threaded Orifice (0.8 mm)					

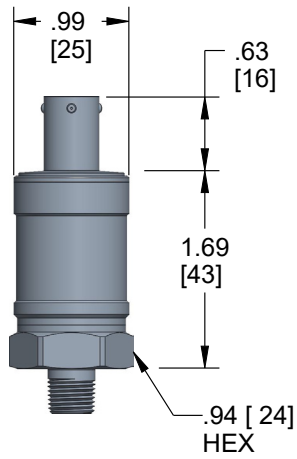
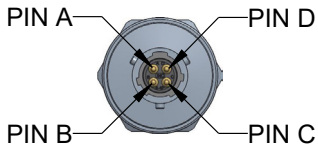
Please consult your local NOSHOK Distributor or NOSHOK, Inc. for availability and delivery information.

EXAMPLE

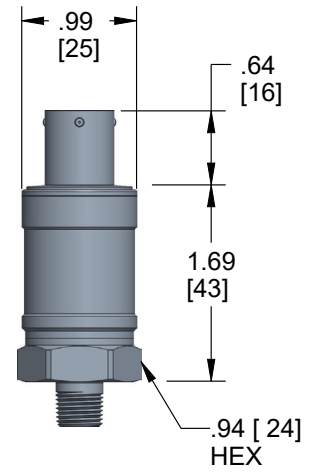
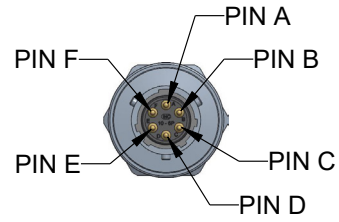


Dimensions

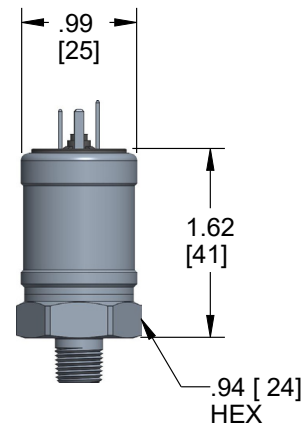
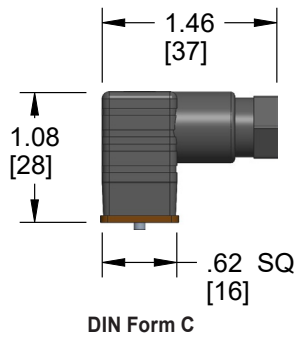
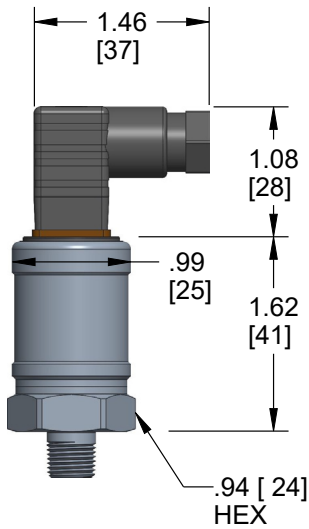
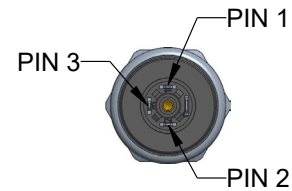
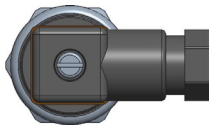
PT30-2 (4-Pin Bayonet)



PT30-3 (6-Pin Bayonet)



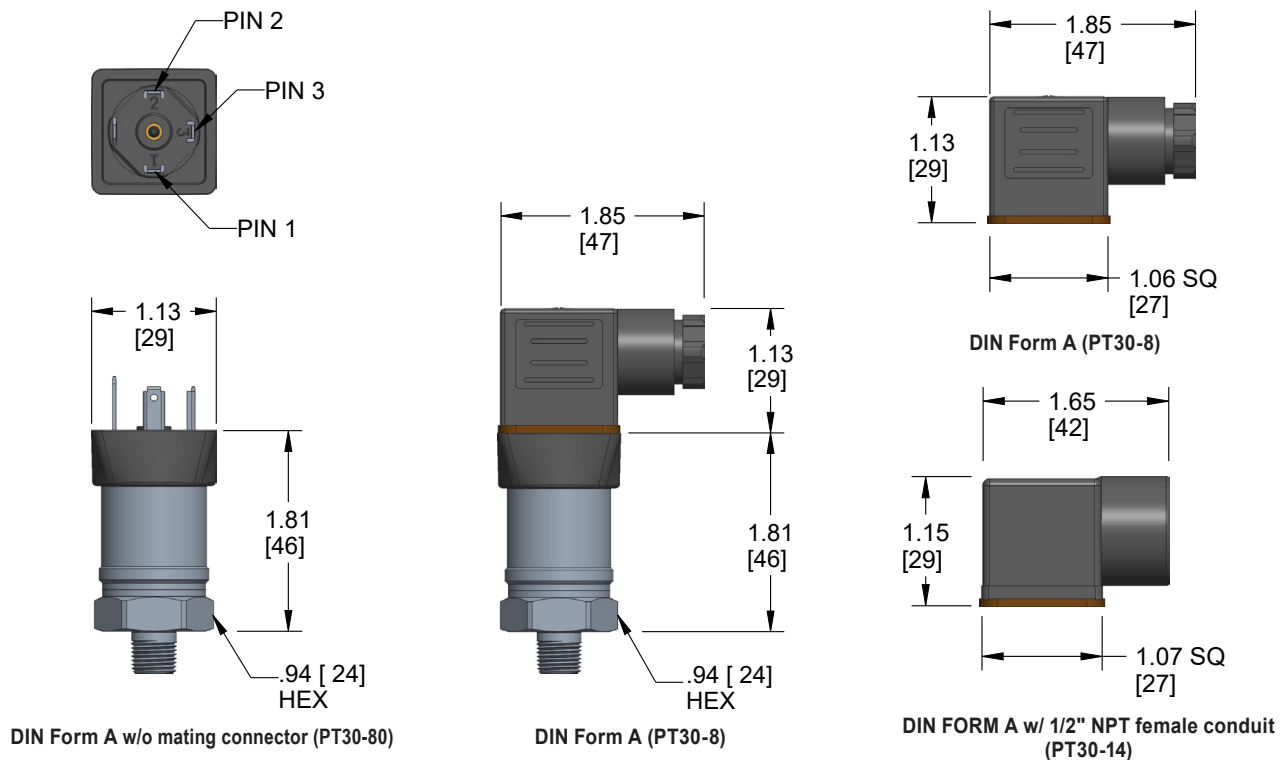
PT30 (DIN EN 175301-803 Form C)



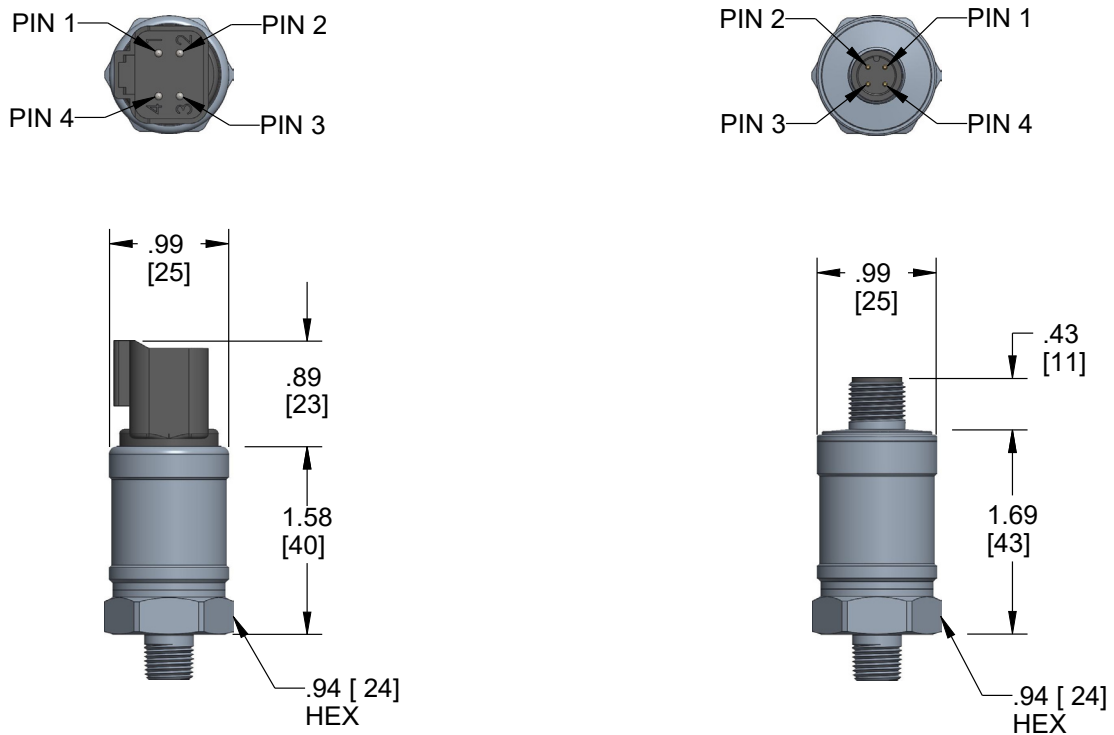
DIN Form C (PT30-7)

DIN Form C w/o mating connector (PT30-70)

PT30 (DIN EN 175301-803 Form A)

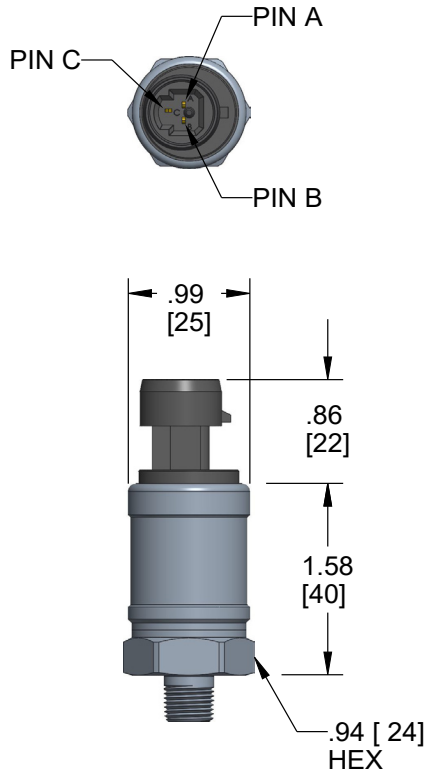


PT30-21 (Deutsch Integral 4-Pin DT04-4P) PT30-25 (M12 x 1 4-pin)

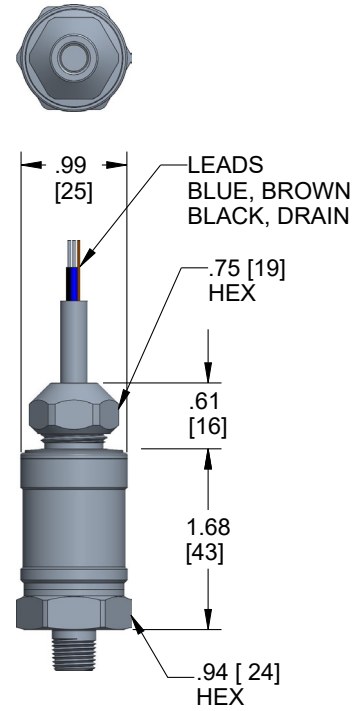


Dimensions

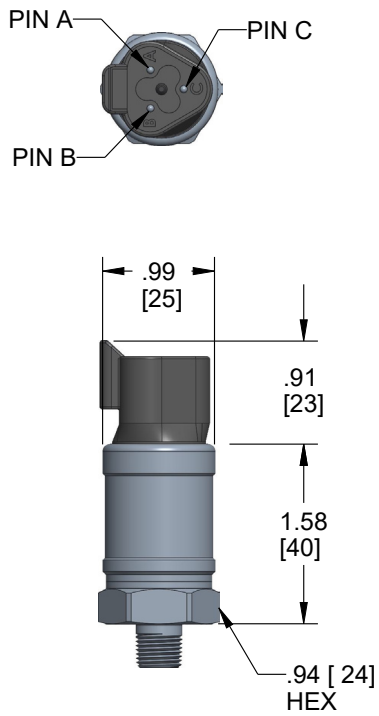
PT30-34 (Packard 3-Pin)



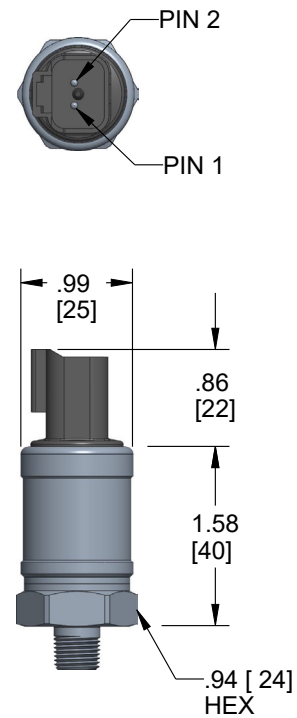
PT30-36 (3 ft. Integral Cable)



PT30-46 (Deutsch Integral 3-Pin DT04-3P)



PT30-66 (Deutsch Integral 2-Pin DT04-2P)



PT30 Process Connections

