

1 What is 80/20

2 Profiles

3 Fasteners

4 Panels & Doors

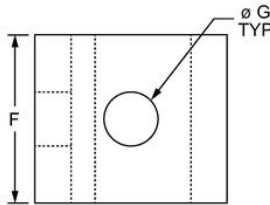
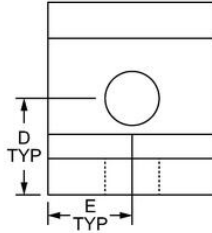
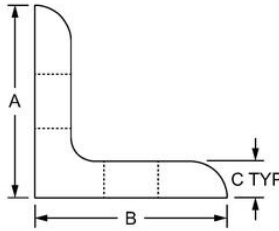
5 Casters & Feet

6 Bearings & Pivots

External Fasteners

2 Hole - Inside Corner Bracket

- No machining required
- Pre-load to simplify assembly
- Reconfigurable, reusable



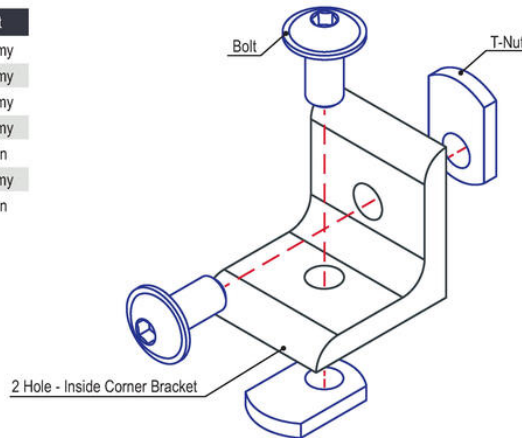
Part No.	Series	Material	Alloy	Finish	A	B	C	D	E	F	G	Weight
4119	10	Aluminum	6005A - T61	Clear Anodize	1.000"	1.000"	.188"	.500"	.438"	.875"	.281"	.025 lb
4119-Black	10			Black Anodize	1.000"	1.000"	.188"	.500"	.438"	.875"	.281"	.025 lb
4302	15 RT	Aluminum	6005A - T61	Clear Anodize	1.500"	1.500"	.250"	.750"	.655"	1.310"	.328"	.081 lb
4302-Black	15 RT			Black Anodize	1.500"	1.500"	.250"	.750"	.655"	1.310"	.328"	.081 lb
20-4119	20	Aluminum	6005A - T61	Clear Anodize	20.00mm	20.00mm	3.00mm	10.00mm	9.00mm	18.00mm	5.56mm	.0049 kg
20-4119-Black	20			Black Anodize	20.00mm	20.00mm	3.00mm	10.00mm	9.00mm	18.00mm	5.56mm	.0049 kg
25-4119	25	Aluminum	6005A - T61	Clear Anodize	25.00mm	25.00mm	4.00mm	12.50mm	11.00mm	22.00mm	6.80mm	.0095 kg
25-4119-Black	25			Black Anodize	25.00mm	25.00mm	4.00mm	12.50mm	11.00mm	22.00mm	6.80mm	.0095 kg
30-4302	30	Aluminum	6005A - T61	Clear Anodize	30.00mm	30.00mm	4.00mm	15.00mm	13.50mm	27.00mm	6.81mm	.0153 kg
30-4302-Black	30			Black Anodize	30.00mm	30.00mm	4.00mm	15.00mm	13.50mm	27.00mm	6.81mm	.0153 kg
40-4302	40	Aluminum	6005A - T61	Clear Anodize	40.00mm	40.00mm	6.00mm	20.00mm	18.00mm	36.00mm	8.30mm	.0408 kg
40-4302-Black	40			Black Anodize	40.00mm	40.00mm	6.00mm	20.00mm	18.00mm	36.00mm	8.30mm	.0408 kg
45-4302	45	Aluminum	6005A - T61	Clear Anodize	45.00mm	45.00mm	6.00mm	22.50mm	21.00mm	42.00mm	8.33mm	.0543 kg
45-4302-Black	45			Black Anodize	45.00mm	45.00mm	6.00mm	22.50mm	21.00mm	42.00mm	8.33mm	.0543 kg

Suggested Hardware (Mount to T-Slot)

Series	Part No.	Qty.	Bolt	Part No.	Qty.	T-Nut
10	3061	2	1/4-20 x 1/2" BHSCS	3382	2	Economy
15	3330	2	5/16-18 x 11/16" FBHSCS	3278	2	Economy
20	11-5308	2	M5 x 8mm BHSCS	14122	2	Economy
25	13-6310	2	M6 x 10mm BHSCS	3859	2	Economy
30	11-6312	2	M6 x 12mm BHSCS	13117	2	Drop-in
40	13-8316	2	M8 x 16mm BHSCS	3838	2	Economy
45	11-8318	2	M8 x 18mm BHSCS	13132	2	Drop-in

Suggested Hardware (Mount to Ready Tube)

Part No.	Series	Qty.	Bolt Assembly
3961	RT	2	5/16-18 x 2.00" BHSCS w/ Washer & Flanged Hex Nut



More on 80/20® products available at 8020.net