

FEATURES

- Industry standard symmetrical rail – 35mm x 7.5mm
- Slotted Din-Rail
- Zinc-plated and clear passivated steel material
- Conforms to EN5022 and DIN 46277-3 standards

RS PRO, Slotted Din Rail, 2000mm x 35mm x 15mm

RS Stock No.: 2258315



RS Professionally Approved Products bring to you professional quality parts across all product categories. Our product range has

Din-Rails

been tested by engineers and provides a comparable quality to the leading brands without paying a premium price.

Product Description

From the trusted RS PRO brand, a selection of robust TS-35 deep DIN rails used for mounting various electrical and industrial equipment. The TS-35 rail or Top Hat as it is also known is manufactured from cold rolled steel which is then zinc coated and clear passivated. This provides a simple solution for general applications due to its strength and corrosion proof properties. Available in various lengths and slotted and un-slotted (perforated) profiles for easy attachment and wiring.

General Specifications

Compatibility	Deep Top-Hat
DIN Rail Type	TS35 Slotted
Applications	Large PLC's, Transformers and power supplies, Drives, Automation and control equipment, Contactors, overloads and relays, Circuit breakers and RCBO's, Timers and switches, Hydraulic components

Mechanical Specifications

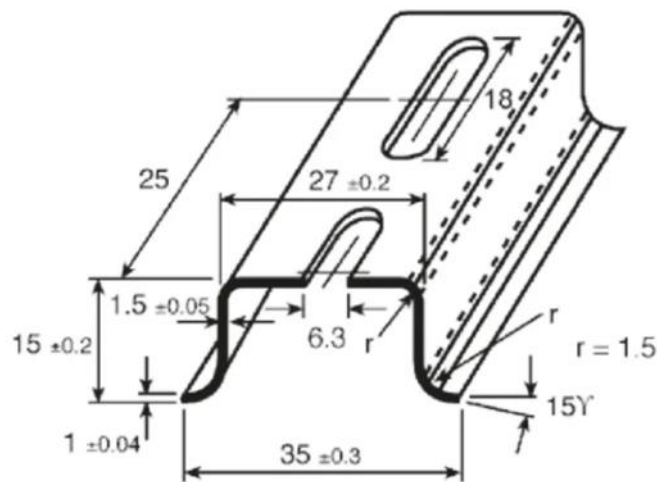
Material	Steel
Length	2000 mm
Width	35 mm
Height	15 mm

Approvals

Standards Met	EN5022
----------------------	--------

Similar Products

Stock No.	Brand	Product Name	Attribute 1	Attribute 2	Attribute 3
467-412	RS-Pro	Unslotted Din Rail, 1000mm x 35mm x 15mm	Zinc-plated and clear passivated steel	Conforms to EN5022 and DIN 46277-3	Industry standard symmetrical rail



Connection Diagrams / Assembly Diagrams / Illustrations / Accessories