

**UL/CUL LISTED
CLASS I DIVISION 2 FOR
HAZARDOUS LOCATIONS**

**ATEX and IECEx
Certified Components**

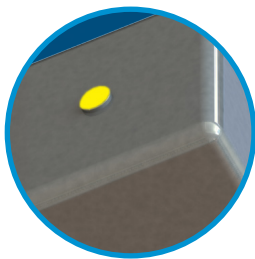


88H Series Hermetically Sealed Relays

Product Attributes

Contact Transfer LED Indicator

LED indicator provides positive confirmation that the Contacts have transferred, not just an indication of power applied to the coil.

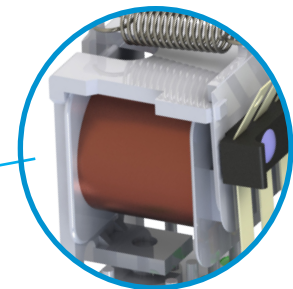
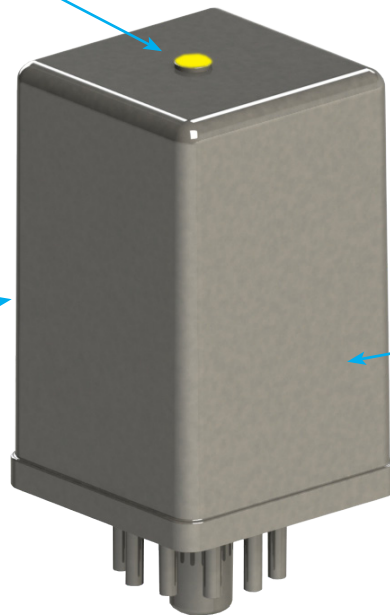


Corrosion Resistant

- Nickel Plated Brass Cover
- Salt water Resistant

Hermetically Sealed Construction

The inert, dry nitrogen environment mitigates corrosion and/or oxidation of the internal relay components including the contacts.



Coil

Coil Temperature Rating 155 °C (Class F)
 Optional coil suppression diode that will protect your sensitive equipment from coil transient voltage.

Safety Certifications

UL/CUL Listed for ordinary locations (E52197) and Class I, Div 2 hazardous locations (E509225) with Approved Sockets SK-CIR8-DS or SK-CIR11-DS (E340027).

GENERAL SPECIFICATIONS (@25 °C)

Input

	<u>Nominal Input Voltage</u>	<u>Nominal Coil Resistance, Ω at 25 °C</u>	<u>Nominal Input Voltage</u>	<u>Nominal Coil Resistance, Ω at 25 °C</u>
	Coil Voltage Range	6 VDC 12 VDC 24 VDC 48 VDC 72 VDC 115/125 VDC	32 120 470 1800 2590 10,000	6 VAC 12 VAC 24 VAC 48 VAC 120 VAC 240 VAC
Drop-out Voltage	Minimum 10% of nominal VAC, 10% of nominal VDC			
Average Consumption Coil	2.1 VA (AC) 1.2 W (DC)			
Maximum Operating Voltage	110 % (AC/DC)			
Maximum Pickup Voltage	80% of nominal (VDC) 85% nominal (VAC)			

Contacts

Contact Configuration	DPDT, 3PDT / 2 Form C, 3 Form C			
Contact Type	Silver Alloy			
UL Switching Ratings	<u>Amps/Power</u>	<u>Voltage</u>	<u>Cycles</u>	<u>Load</u>
	10A	240 VAC	100k	Resistive
	1/3 HP	120 VAC	6k	Motor
	1/2 HP	240 VAC	100k	Motor
	12A	30 VDC	100k	Resistive
	C300		6K	Pilot Duty
Maximum Switching Voltage	240 VAC, 30 VDC			
Minimum Switching Requirement	25 mA @ 12 VAC, 12 VDC			
Thermal (Carrying) Current	12 Amps			

Performance

Mechanical Life	5,000,000 cycles
Electrical Life, Operations at Rated Current	100,000 cycles
Operate Time (Response Time) - On	20ms
Release Time	15ms
Dielectric Strength (Across Open Contacts)	1000 Vrms
Dielectric Strength (Between Parts of Opposite Polarity)	1500 Vrms

Environment

Ambient Temperature - Storage	-40 to +85 °C
Ambient Air Temperature around the device - Operation	AC Coils: -20 to +40 °C / DC Coils: -20 to +60°C
Temperature Code for Hazardous Locations	T4A: +40 °C (+104 °F) for AC Coils +60 °C (+ 104 °F) for DC Coils

Hazardous Locations Conformance/Approvals

Designation	Identification	Certificate/File reference
UL-USA CUL-Canada	Class I, Division 2, Groups A,B,C and D	E509225
ATEX	II 3 G Ex nC IIC Gc	UL 22 ATEX 2876U
IECEX	Ex nC IIC Gc	IECEX UL 22.0084U

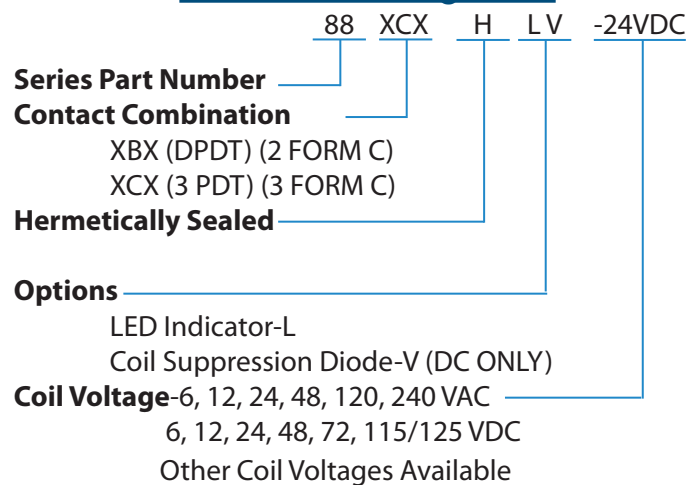
Environmental Product Compliance

REACH free of SVHC	YES
Free of PFAS	YES
EU RoHS Directive	Pro-active Compliance

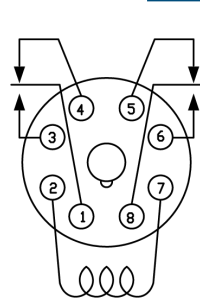
Miscellaneous

Optional Contact Transfer Indicator-Code "L"	Yellow LED
Weight	130 grams
Component Type	Hermetically Sealed Relay
Mounting Type	8 or 11 Pin Octal Socket Mount

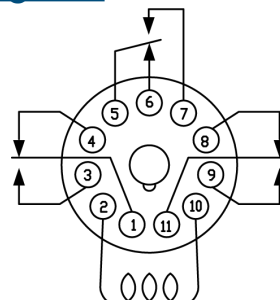
Series 88 Ordering Code



Wiring Diagrams

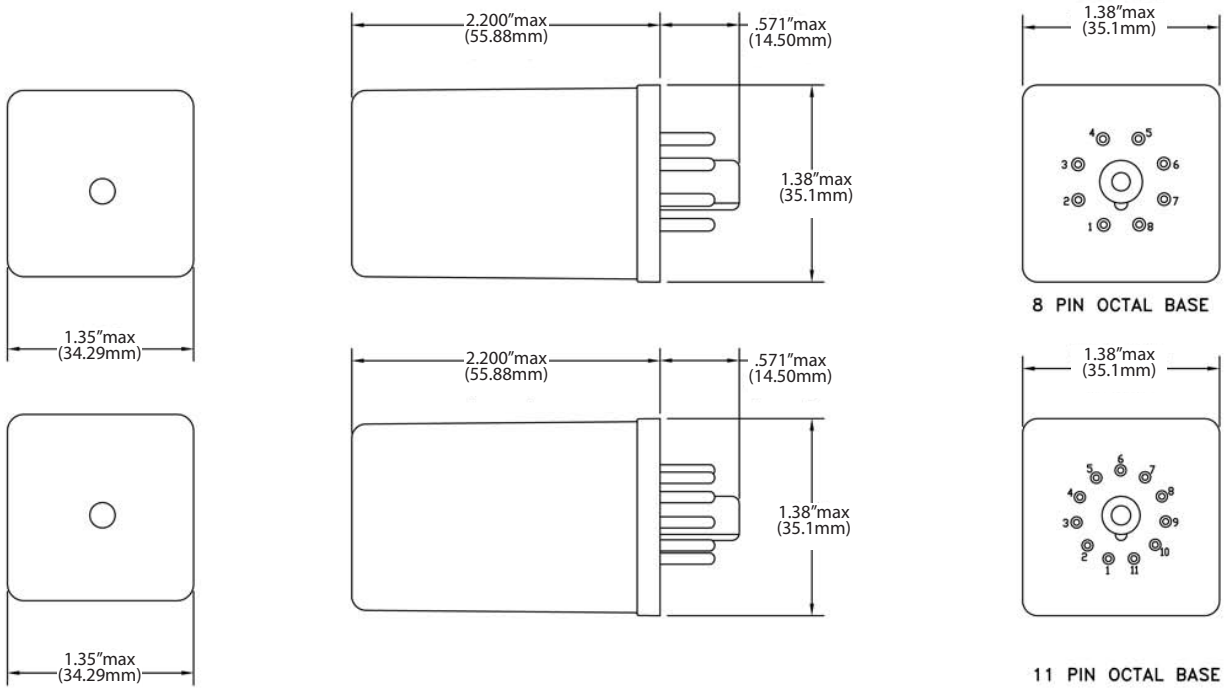


**8 Pin
Bottom View**



**11 Pin
Bottom View**

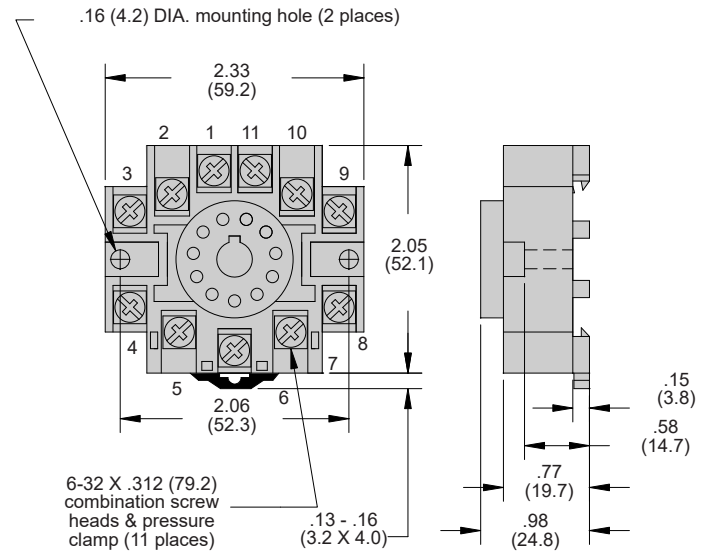
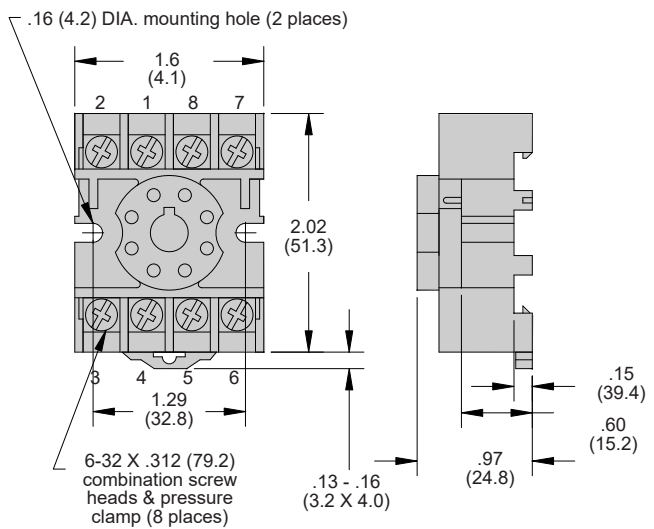
Outline Dimensions



8 Pin Socket-SK-CIR8-DS



11 Pin Socket-SK-CIR11-DS



Retaining Clips are not required when Struthers-Dunn Relays and Sockets are used together.