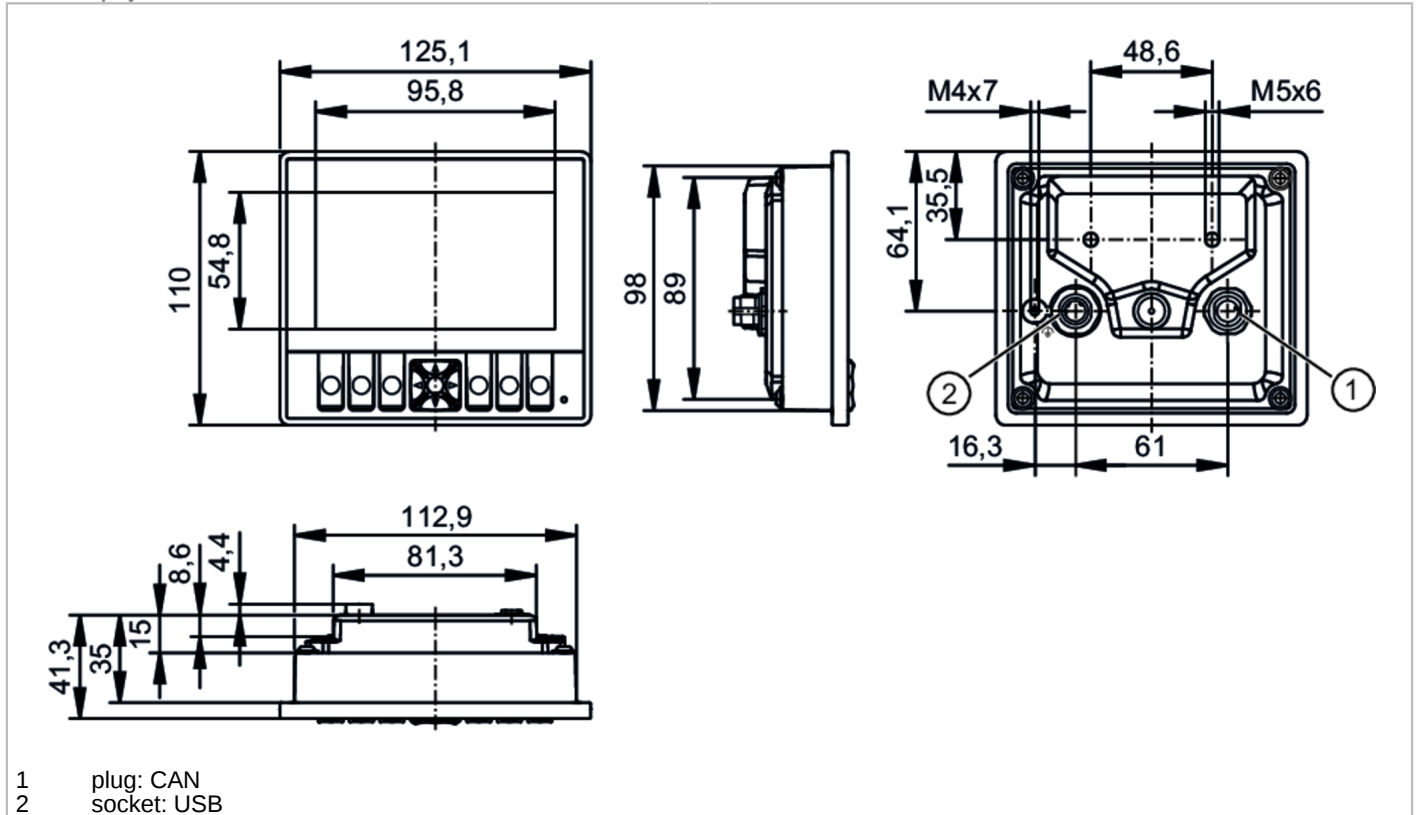


CR1141



Programmable graphic display for controlling mobile machines

ecomatDisplay/4.3"/STD./U



- 1 plug: CAN
- 2 socket: USB



Application	
Application	for mobile applications; For use in industrial environments; for use in wet environments
Electrical data	
Operating voltage [V]	8...32 DC; (to SELV/PELV)
Nominal voltage DC [V]	12 / 24
Current consumption [mA]	< 333; (24 V DC)
Power consumption [W]	8
Inputs / outputs	
Number of inputs and outputs	Number of digital inputs: 1
Inputs	
Number of digital inputs	1; (non-configurable service input)
Software / programming	
Parameter setting options	CODESYS 3.5; Qt
PLC function to IEC 61131-3	yes
Operating system	Embedded Linux
Interfaces	
Communication interface	CAN; USB
Number of CAN interfaces	1
Number of USB interfaces	1
CAN	
Transmission rate	10 kBit/s... 1 MBit/s



Programmable graphic display for controlling mobile machines

ecomatDisplay/4.3"/STD./U

Protocol	CANopen; SAE J1939; free protocol
Profile	CiA DS 301 Version 4.2; CiA DS 401 Version 1.4
Interface	CAN Interface 2.0 A/B ISO 11898
Factory settings	Transmission rate: 250 kBit/s

USB

Transmission rate	< 480 MBit/s
Version	2.0

Operating conditions

Ambient temperature [°C]	-30...65	
Note on ambient temperature	2000 m:	-30...65 °C
	3000 m:	-30...61 °C
	4000 m:	-30...60 °C
	5000 m:	-30...58 °C
	The mainboard temperature must not exceed 80 °C. for further information please see the operating instructions	
Storage temperature [°C]	-30...85	
Max. relative air humidity [%]	90; (non condensing)	
Max. height above sea level [m]	5000	
Protection	IP 65; IP 67	
Pollution degree	2; (before installation and when the device is replaced)	
Chemical media	ISO 16750-5	AA, BA, BD, CC, DB, DC, DD, ED
	only one chemical permitted at a time	

Tests / approvals

EMC	UN/ECE-R10 noise emission and noise interference:	100 V/m
	DIN EN 61000-6-2	
	DIN EN 61000-6-4	
	DIN EN 13766-1	
	ISO 10605 ESD	
	immunity ISO 11452-1	
	ISO 7637-2 pulse 1	severity level 4 / function state C (24 V)
	ISO 7637-2 pulse 2a	severity level 4 / function state A (24 V)
	ISO 7637-2 pulse 2b	severity level 4 / function state C (24 V)
	ISO 7637-2 pulse 3a	severity level 4 / function state A (24 V)
	ISO 7637-2 pulse 3b	severity level 4 / function state A (24 V)
	ISO 16750-2 pulse 4	severity level 4 / function state A (12 V)
	ISO 16750-2 pulse 4	severity level 4 / function state A (24 V)
	ISO 16750-2 pulse 5	severity level 3 / function state C (24 V)
	ISO 16750-2 pulse 4	severity level 4 / function state A (12 V)
Continuous shock resistance	ISO 16750-3	30 g 6 ms / 24000 shocks
Fast temperature change	EN 60068-2-30 damp heat: cyclical	55 °C upper temperature limit / 6 cycles
	EN 60068-2-78 damp heat: constant	40 °C 93 % rH / test period 21 days
Vibration resistance	ISO 16750-3 Test VII	random, mounting place car body
	EN 60068-2-6 Sinus	10...500 Hz / 0.72 mm / 10 g 10 cycles/axis, sine
Salt spray test	EN 60068-2-52 Salt spray	severity level 3 / motor vehicle



Programmable graphic display for controlling mobile machines

ecomatDisplay/4.3"/STD./U

Railway applications	DIN EN 50155 Pkt 12.2	
	EN 50121-3-2	
	EN 55016	

Mechanical data

Weight	[g]	509.4
Type of mounting		panel / surface; installation in panels or panel cutouts; (panel cutout: 114 x 99 mm)
Dimensions	[mm]	125.1 x 110 x 41.3
Materials		housing: diecast aluminium powder-coated; Display: glass anti-reflective and hardened; rear of the housing: plastics; diaphragm: Gore-Tex
Information on service life	pushbuttons:	750000 Betätigungen
	navigation key with pushbutton:	750000 Betätigungen
	Display-LED Lebensdauer:	> 50000 h

Displays / operating elements

Display	status LED	1 LED, multi-colour freely programmable
Operating elements	6	freely programmable backlit function keys
	1	navigation key with central confirmation button
Display resolution		800 x 480
Display type		colour display
Display size		4.3"
Aspect ratio		16:10
Display background illumination		LED
Colour depth		24 Bit
Brightness	[cd/m ²]	1000; (adjustable: 0...100 %; In steps of: 1 %)
Contrast ratio		800:1

Hardware

Processor		ARM Dual Core 64 Bit 1,4 GHz
Working memory		1 GByte RAM
Mass storage		4 GByte Flash
Non-volatile memory		8 kByte

Data memories

Real-time clock		yes; UTC, battery buffered
-----------------	--	----------------------------

Remarks

Pack quantity		1 pcs.
---------------	--	--------

CR1141

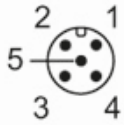


Programmable graphic display for controlling mobile machines

ecomatDisplay/4.3"/STD./U

Electrical connection - CAN

Connector: 1 x M12; coding: A



1:	Service
2:	VBB30
3:	GND
4:	CAN_H
5:	CAN_L

Electrical connection - USB

Connector: 1 x M12



1:	+ 5 V DC
2:	- Data
3:	+ Data
4:	ID
5:	GND
SCREEN:	FE screen connected to plug