

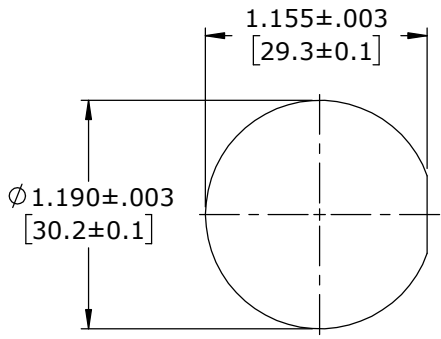
PART NUMBER	COUPLING TYPE
DCP-HD19B-F	QUICK CONNECT
DCP-HD19T-F	THREADED

- NOTES:**
- PARTS TO BE KITTED IN A POLY BAG.  
HEX NUTS AND GASKETS TO BE BULK PACKED SEPARATELY.
  - DCP-HD19T-F SHOWN IN EXPLODED VIEW. (HDMI FEED-THRU WITH THREADED COUPLING.)
  - THE \*HDMI-STYLE FEED-THRU CONNECTOR STYLE IS TYPE "A".
  - THE DIMENSION DOES NOT INCLUDE GASKET COMPRESSION.
  - UNLESS OTHERWISE SPECIFIED, DIMENSIONS WITH TWO DECIMAL PLACES HAVE TOLERANCES OF ±0.02
  - ALL DIMENSIONS ARE REFERENCE EXCEPT THOSE SHOWN WITH A TOLERANCE

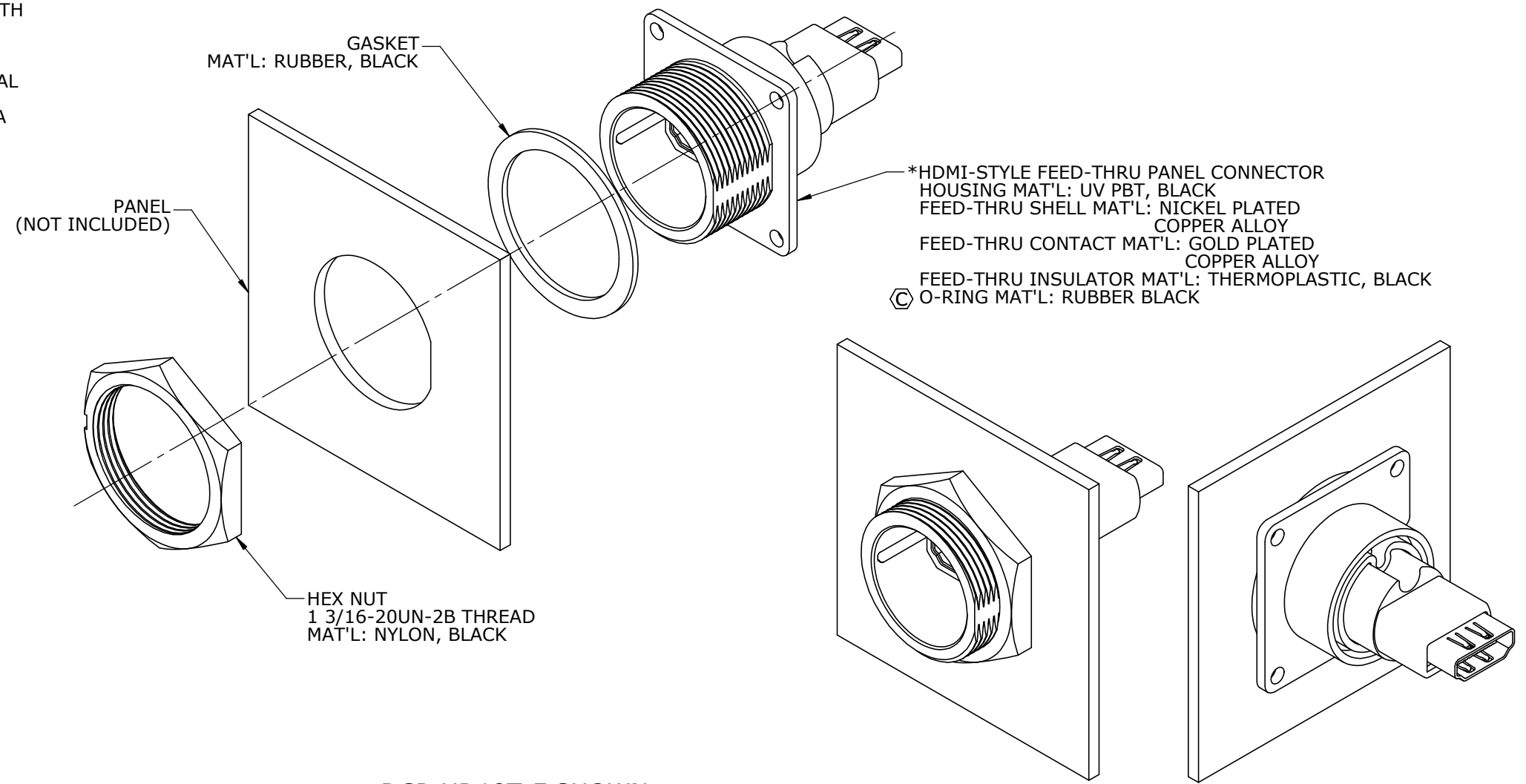
**ELECTRICAL:**  
 CURRENT RATING: 1A MINIMUM  
 INSULATION RESISTANCE: 10 MEGAOHMS MINIMUM (MATED)  
 DIELECTRIC WITHSTANDING VOLTAGE: 300V AC (MATED)

**PRODUCT RATING:**  
 IP67 & IP68, NEMA 250 (6P), WHEN MATED

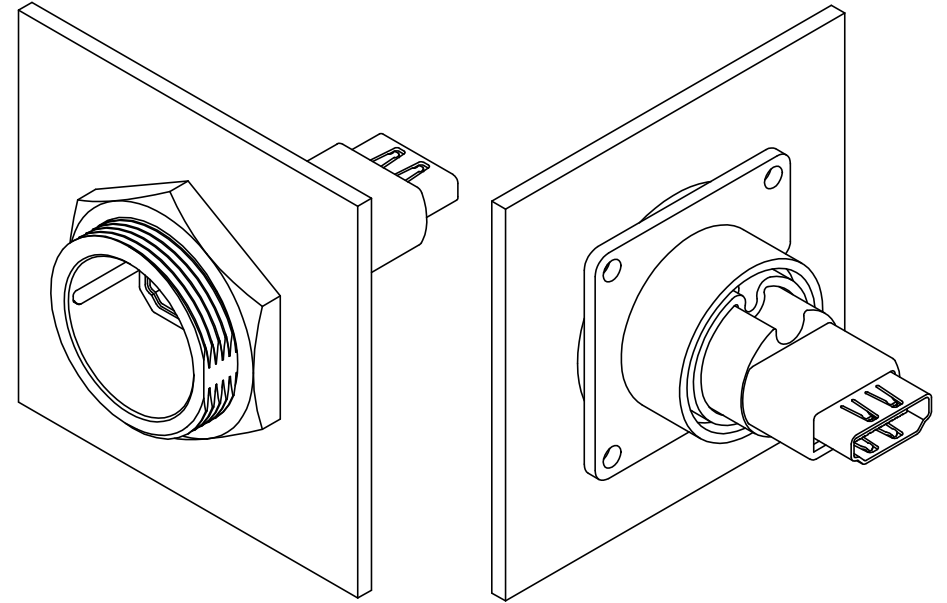
**OTHER:**  
 OPERATING TEMPERATURE: -20 °C TO +80 °C [-4 °F TO +176 °F]  
 RECOMMENDED PANEL THICKNESS:  
 QUICK CONNECT COUPLING: 1/32" TO 3/16" (0.8mm to 4.8mm)  
 THREADED COUPLING: 1/32" TO 5/32" (0.8mm to 3.9mm)



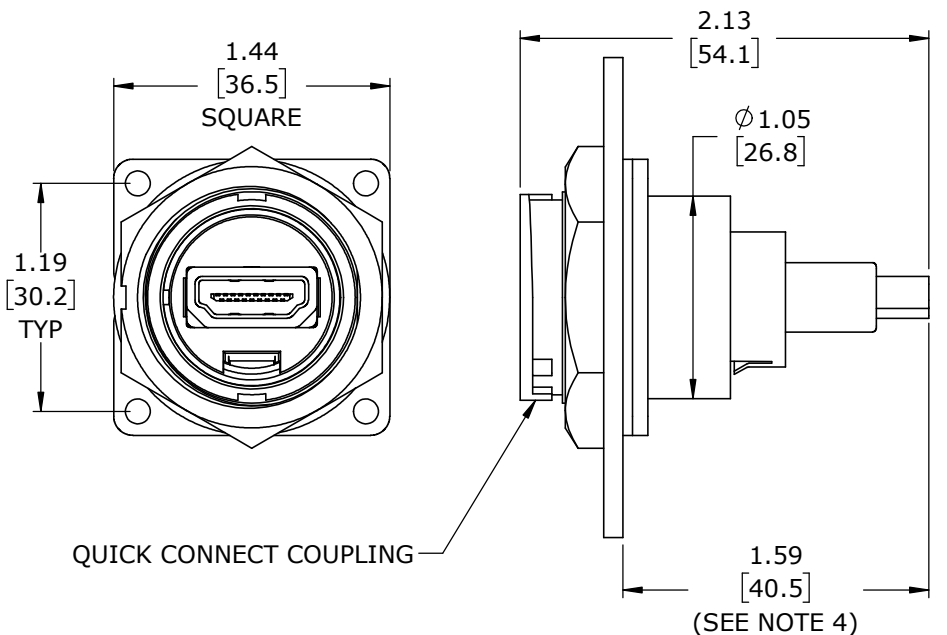
**RECOMMENDED PANEL CUT-OUT**  
 QUICK CONNECT COUPLING  
 OR THREADED COUPLING



\*HDMI-STYLE FEED-THRU PANEL CONNECTOR HOUSING MAT'L: UV PBT, BLACK  
 FEED-THRU SHELL MAT'L: NICKEL PLATED COPPER ALLOY  
 FEED-THRU CONTACT MAT'L: GOLD PLATED COPPER ALLOY  
 FEED-THRU INSULATOR MAT'L: THERMOPLASTIC, BLACK  
 O-RING MAT'L: RUBBER BLACK

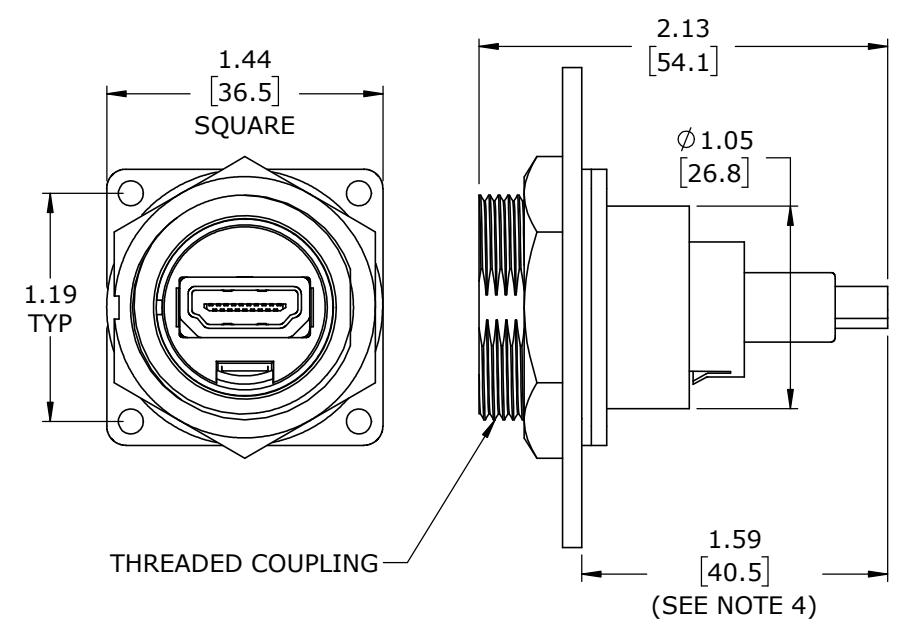


**DCP-HD19B-F SHOWN**  
 (\*HDMI-STYLE FEED-THRU CONNECTOR WITH QUICK-CONNECT COUPLING)



\*HDMI IS A REGISTERED TRADEMARK OF HDMI LICENSING LLC CORPORATION

**DCP-HD19T-F SHOWN**  
 (\*HDMI-STYLE FEED-THRU CONNECTOR WITH THREADED COUPLING)



DIMENSIONS IN BRACKETS [ ] ARE METRIC.

**RoHS COMPLIANT**

REV.	INIT.	DATE	DESCRIPTION
C	SS	09-16-21	UPDATED MFG. DRAWING AND ADDED O-RING TO ASSEMBLY PER ECR 9609
B	SS	07-26-21	DRAWING NUMBER WAS DCP-HDMIX-F SERIES PER ECR 9593
A	MA	01-26-18	RELEASED DRAWING PER PDR 12003
	JGK	11/12/15	ADDED FLANGE HOLE DIMENSIONS.
A	JGK	5/22/13	DRAWING CREATED PER PROJECT #12003
ALL INFORMATION ILLUSTRATED IS THE PROPERTY OF CONXALL CORPORATION. UNAUTHORIZED DUPLICATION OR DISTRIBUTION OF THIS DOCUMENT IS PROHIBITED.			ORIG. DRAWN BY: JGK DATE: 5/22/13 CHECKED BY:
ALL UNITS ARE IN FEET, INCHES, FRACTION OF INCHES AND DECIMALS. UNLESS OTHERWISE SPECIFIED TOLERANCES: 3 PLACE DECIMALS ±.005 ANGLES ±1° FRACTIONS ±1/16 - CRITICAL CHARACTERISTIC FLAG PER SPEC. XXXX			 601 E. WILDWOOD VILLA PARK, IL 60181
APPROVED BY:		SCALE: NTS	TITLE: *HDMI-STYLE PANEL CONNECTOR FEED-THRU DATA-CON-X STANDARD PRODUCT
FILE: DCP-HD19X-F SERIES CD		SIZE: B	CUSTOMER: STANDARD PRODUCT
DIRECTORY: SLW		SHEET: 1 OF 1	PART NUMBER: DCP-HD19X-F SERIES
			REV: c

CUSTOMER DRAWING

PART NUMBER: DCP-HD19X-F SERIES