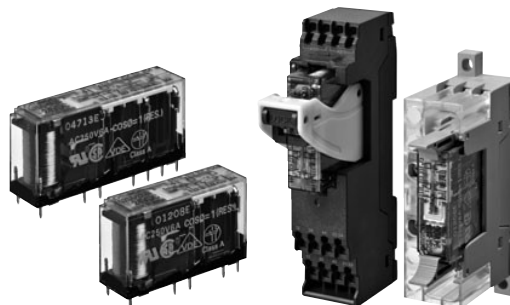


Relays with Forcibly Guided Contacts G7SA

Compact, Slim Relays Conforming to EN Standards

- Additional Push-In Plus terminal sockets are used to save wiring work in comparison with traditional screw terminals. (Wiring time is reduced by 60%* in comparison with traditional screw terminals.)
- Relays with forcibly guided contacts (EN 50205 Class A, certified by VDE).
- Supports the CE marking of machinery (Machinery Directive).
- Helps avoid hazardous machine status when used as part of an interlocking circuit.
- Four-pole and six-pole Relays are available.
- The Relay's terminal arrangement simplifies PWB pattern design.
- Reinforced insulation between inputs and outputs.
Reinforced insulation between some poles of different polarity.

* According to OMRON actual measurement data



Note: Sockets are sold separately.

For the most recent information on models that have been certified for safety standards, refer to your OMRON website.



Be sure to read the *Safety Precautions* on page 9.

Model Number Structure

Model Number Legend

Specify the power supply voltage (coil rated voltage) when ordering.

Relays with forcibly guided contacts

G7SA-□A□B□
1 2 3

1. NO Contact Poles

2: DPST-NO

3: 3PST-NO

4: 4PST-NO

5: 5PST-NO

2. NC Contact Poles

1: SPST-NC

2: DPST-NC

3: 3PST-NC

3. Coil Rated Voltage (V)

12 VDC

18 VDC

21 VDC

24 VDC

48 VDC

110 VDC

Sockets

P7SA-□□-□-□□
1 2 3 4 5 6

1. Basic Model Name

P7SA: Socket for G7SA

2. Number of Poles

10: 4 poles (10 terminals)

14: 6 poles (14 terminals)

3. Mounting Type

F: Front-mounting

P: Back-mounting

4. LED Indicator

Blank: Without operation indicator LED/built-in diode

ND: With operation indicator LED/built-in diode

5. Terminal Type

Blank: Screw terminals when 3, is F type

PCB terminals when 3, is P type

PU: Push-In Plus terminals

6. Coil Rated Voltage (V)

24 VDC: When 4, is ND

G7SA

Ordering Information

Specify the coil rated voltage when ordering.

Relays with Forcibly Guided Contacts

| Type | Sealing | Poles | Contact configuration | Coil rated voltage | Model |
|----------|------------|---------|-----------------------|-----------------------------|------------------|
| Standard | Flux-tight | 4 poles | 3PST-NO, SPST-NC | 12, 18, 21, 24, 48, 110 VDC | G7SA-3A1B |
| | | | DPST-NO, DPST-NC | 12, 18, 21, 24, 48, 110 VDC | G7SA-2A2B |
| | | 6 poles | 5PST-NO, SPST-NC | 12, 18, 21, 24, 48, 110 VDC | G7SA-5A1B |
| | | | 4PST-NO, DPST-NC | 12, 18, 21, 24, 48, 110 VDC | G7SA-4A2B |
| | | | 3PST-NO, 3PST-NC | 12, 18, 21, 24, 48, 110 VDC | G7SA-3A3B |

Sockets

| Mounting | Terminal Type | LED Indicator | Poles | Coil rated voltage | Model | |
|----------------|------------------------|---------------|---------|--------------------|-----------------------|-----------------|
| Front-mounting | Push-In Plus terminals | Yes | 4 poles | 24 VDC | P7SA-10F-ND-PU | |
| | | | 6 poles | | P7SA-14F-ND-PU | |
| | Screw terminals | Yes | 4 poles | | P7SA-10F-ND | |
| | | | 6 poles | | P7SA-14F-ND | |
| | | No | 4 poles | | — | P7SA-10F |
| | | | 6 poles | | — | P7SA-14F |
| Back-mounting | PCB terminals | No | 4 poles | — | P7SA-10P | |
| | | | 6 poles | | P7SA-14P | |

Accessories (Order Separately)

Short Bars (For P7SA-□F-ND-PU)

| Pitch | No. of poles | Colors | Model*1*2 |
|--------|--------------|--------------------------------------|----------------------|
| 5.2 mm | 2 | Red (RD) Blue (BL) Yellow (YL) | XW5S-P2.5-2 □ |
| | 3 | | XW5S-P2.5-3 □ |
| | 4 | | XW5S-P2.5-4 □ |
| | 5 | | XW5S-P2.5-5 □ |

Note: Use for crossover wiring of adjacent contact terminals (bottom) within one Socket.

*1. Replace the box (□) in the model number with the code for the covering color. Color Options: RD = red, BL = blue, YL = yellow

Example: XW5S-P2.5-10RD when the covering color is red.

*2. XW5S-P2.5-5□ cannot be used with P7SA-10F-ND-PU.

Parts for DIN Track Mounting

| Type | Model | Minimum Order (quantity) |
|-------------|--------------|--------------------------|
| DIN Tracks | 1 m | 1 |
| | 0.5 m | |
| End Plate * | PFP-M | 10 |
| Spacer | PFP-S | |

Refer to your OMRON website for details on the PFP-□.

* When mounting DIN track, please use End Plate (Model PFP-M).

Specifications

Ratings

Coil (4 poles)

| Item | Rated current (mA) | Coil resistance (Ω) | Max. voltage (V) | Power consumption (mW) |
|---------------|--------------------|---------------------|------------------|------------------------|
| Rated voltage | | | | |
| 12 VDC | 30 | 400 | 110% | Approx. 360 |
| 18 VDC | 20 | 900 | | |
| 21 VDC | 17.1 | 1,225 | | |
| 24 VDC | 15 | 1,600 | | |
| 48 VDC | 7.5 | 6,400 | | |
| 110 VDC | 3.8 | 28,810 | | Approx. 420 |

Coil (6 poles)

| Item | Rated current (mA) | Coil resistance (Ω) | Max. voltage (V) | Power consumption (mW) |
|---------------|--------------------|---------------------|------------------|------------------------|
| Rated voltage | | | | |
| 12 VDC | 41.7 | 288 | 110% | Approx. 500 |
| 18 VDC | 27.8 | 648 | | |
| 21 VDC | 23.8 | 882 | | |
| 24 VDC | 20.8 | 1,152 | | |
| 48 VDC | 10.4 | 4,606 | | |
| 110 VDC | 5.3 | 20,862 | | Approx. 580 |

- Note:**
- The rated current and coil resistance are measured at a coil temperature of 23°C with tolerances of ±15%.
 - The maximum voltage is based on an ambient operating temperature of 23°C maximum.

Characteristics

| | | |
|---|--|---|
| Contact resistance *1 | | 100 mΩ max. |
| Operating time *2 | | 20 ms max. |
| Response time *3 | | 10 ms max. |
| Release time *2 | | 20 ms max. |
| Must operate voltage | | 75% max. |
| Must release voltage | | 10% min. |
| Maximum operating frequency | Mechanical | 36,000 operations/h |
| | Rated load | 1,800 operations/h |
| Insulation resistance *4 | | 1,000 MΩ min. |
| Dielectric Strength *5 *6 | Between coil and contacts | 4,000 VAC, 50/60 Hz for 1 min. |
| | Between contacts of different polarity | 4,000 VAC, 50/60 Hz for 1 min. (except for followings) 4 poles (for poles 3-4 in 4-pole Relays), 6 poles (for poles 3-5, 4-6, and 5-6 in 6-pole Relays): 2,500 VAC, 50/60 Hz for 1 min. |
| | Between contacts of the same polarity | 1,500 VAC, 50/60 Hz for 1 min. |
| Vibration resistance | | 10 to 55 to 10 Hz, 0.75-mm single amplitude (1.5-mm double amplitude) |
| Shock resistance | Destruction | 1,000 m/s ² |
| | Malfunction | 100 m/s ² |
| Durability *7 | Mechanical | 10,000,000 operations min. (at approx. 36,000 operations/h) |
| | Electrical | 100,000 operations min. (at the rated load and approx. 1,800 operations/h) |
| Inductive load switching capability *8 (IEC60947-5-1) | | AC15 AC240V 2A DC13 DC24V 1A |
| Failure rate (P level) (reference value *9) | | 5 VDC, 1 mA |
| Ambient operating temperature *10 | | 12 to 48 VDC: -40 to 85°C (with no icing or condensation) 110 VDC: -40 to 60°C (with no icing or condensation) |
| Ambient operating humidity | | 5% to 85% RH |
| Weight | | 4 poles: Approx. 22 g 6 poles: Approx. 25 g |

Note: 1. The above values are initial values.

2. Performance characteristics are based on coil temperature of 23°C.

- *1. The contact resistance was measured with 1 A at 5 VDC using the voltage-drop method.
- *2. These times were measured at the rated voltage and an ambient temperature of 23°C. Contact bounce time is not included.
- *3. The response time is the time it takes for the normally open contacts to open after the coil voltage is turned OFF. Contact bounce time is included. Measurement conditions: Rated voltage operation, Ambient temperature: 23°C
- *4. The insulation resistance was measured with a 500-VDC megohmmeter at the same locations as the dielectric strength was measured.
- *5. Pole 3 refers to terminals 31-32 or 33-34, pole 4 refers to terminals 43-44, pole 5 refers to terminals 53-54, and pole 6 refers to terminals 63-64.
- *6. When using a P7SA Socket, the dielectric strength between coil contacts/different poles is 2,500 VAC, 50/60 Hz for 1 min. When using Push-In Plus terminal sockets (P7SA-□F-ND-PU), the dielectric strength between coil contacts as well as between different poles is 4,000 VAC, 50/60 Hz for 1 min.
- *7. The durability is for an ambient temperature of 15 to 35°C and an ambient humidity of 25% to 75%. For the durability performance to the load, refer to the Durability Curve.
- *8. AC15: $\cos\phi = 0.3$, DC13: L/R = 48-ms.
- *9. The failure rate is based on an operating frequency of 300 operations/min.
- *10. 12 to 48 VDC: When operating between 70 and 85°C, reduce the rated carry current of 6 A by 0.1 A for each degree above 70°C.
110 VDC: When operating between 40 and 60°C, reduce the rated carry current of 6 A by 0.27 A for each degree above 40°C.

Contacts

| Item | Load | Resistive load |
|------------------------|------|-------------------------------|
| Rated load | | 6 A at 250 VAC, 6 A at 30 VDC |
| Rated carry current | | 6 A |
| Max. switching voltage | | 250 VAC, 125 VDC |
| Max. switching current | | 6 A |
| Contact materials | | Au plating + Ag alloy |

Characteristics of Sockets

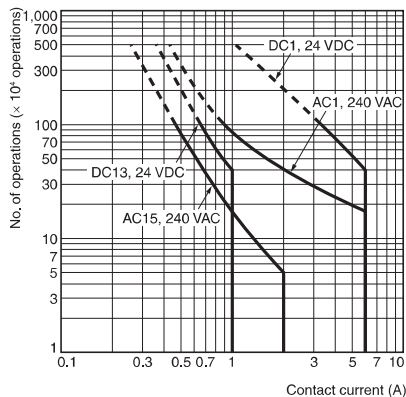
| Items | Models | Push-In Plus terminals | | Screw terminals | | PCB terminals | |
|-------------------------------|---|---|----------------|----------------------|---------------|---|--------------|
| | | 4 poles | 6 poles | 4 poles | 6 poles | 4 poles | 6 poles |
| | | P7SA-10F-ND-PU | P7SA-14F-ND-PU | P7SA-10F(-ND) | P7SA-14F(-ND) | P7SA-10P | P7SA-14P |
| Ambient operating temperature | | <ul style="list-style-type: none"> With operation indicator LED/built-in diode P7SA-□F-ND(-PU): -20 to +70°C Without operation indicator LED/built-in diode P7SA-□F: -40 to +85°C (with no icing or condensation) | | | | -40 to +85°C (with no icing or condensation) | |
| Ambient operating humidity | | 25 to 85% RH | | | | 5 to 85% RH | |
| Continuous carry current | | 6 A *1 | | | | | |
| Dielectric strength | Between coil and contact terminals | 4,000 VAC for 1 min. | | 2,500 VAC for 1 min. | | | |
| | Between contact terminals of different polarity | 2,500 VAC for 1 min. | | | | | |
| | Between contact terminals of same polarity | 1,500 VAC for 1 min. | | | | | |
| Insulation resistance | | 1,000 MΩ min. *2 | | | | | |
| Weight | | Approx. 58 g | Approx. 70 g | Approx. 44 g | Approx. 59 g | Approx. 9 g | Approx. 10 g |

- *1. When operating the P7SA-□F-ND-PU at a temperature between 50 and 70°C, reduce the continuous current (6 A at 50°C or less) by 0.25 A for each degree above 50°C.
 When operating the P7SA-□F-ND at a temperature between 50 and 70°C, reduce the continuous current (6 A at 50°C or less) by 0.3 A for each degree above 50°C.
 When operating the P7SA-□F at a temperature between 50 and 85°C, reduce the continuous current (6 A at 50°C or less) by 0.1 A for each degree above 50°C.
- *2. Measurement conditions: For 500 VDC applied to the same location as for dielectric strength measurement.

Engineering Data

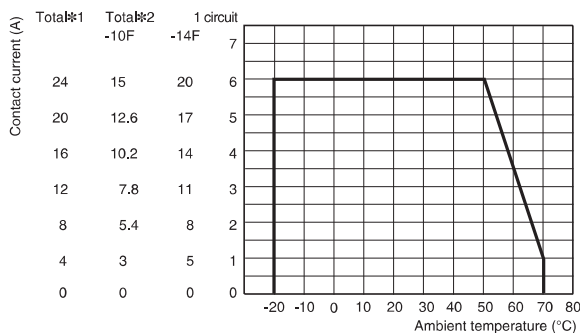
Durability Curve

G7SA-□A□B



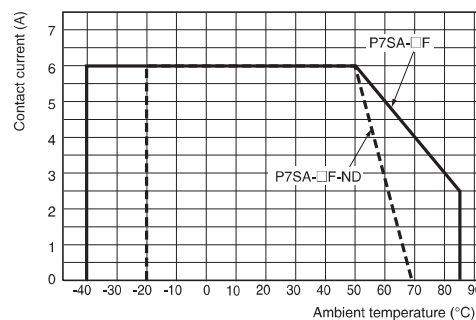
Ambient temperature and contact current

P7SA-□F-ND-PU



P7SA-□F-ND

P7SA-□F

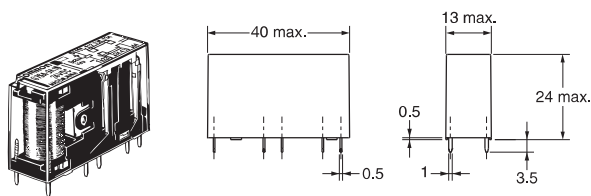


- *1. When using a G7SA-5A1B relay, be careful not to exceed the total current (24 A).
 (Example: at 50°C, 5 contacts × 4.8 A)
- *2. Certification conditions for the TÜV certification. Care should be taken not to exceed the total current.

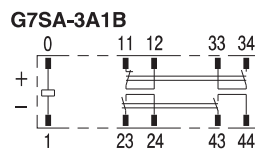
Dimensions

Relays with Forcibly Guided Contacts

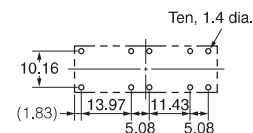
4 poles
G7SA-3A1B
G7SA-2A2B



Terminal Arrangement/
Internal Connection Diagram
(Bottom View)

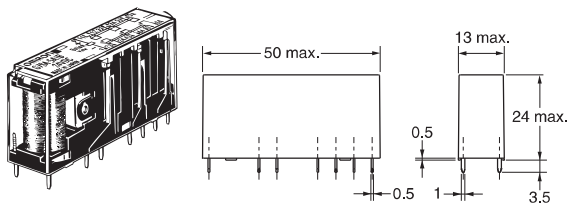


Printed Circuit Board
Design Diagram
(Bottom View)
(±0.1 tolerance)

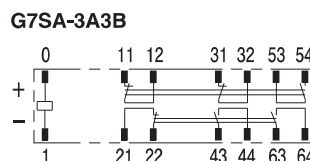
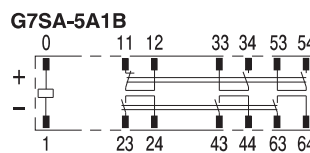


- Note:**
1. Terminals 23-24, 33-34, and 43-44 are normally open. Terminals 11-12 and 21-22 are normally closed.
 2. The colors of the cards inside the Relays are as follows: G7SA-3A1B: Blue and G7SA-2A2B: White.

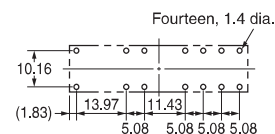
6 poles
G7SA-5A1B
G7SA-4A2B
G7SA-3A3B



Terminal Arrangement/
Internal Connection Diagram
(Bottom View)



Printed Circuit Board
Design Diagram
(Bottom View)
(±0.1 tolerance)

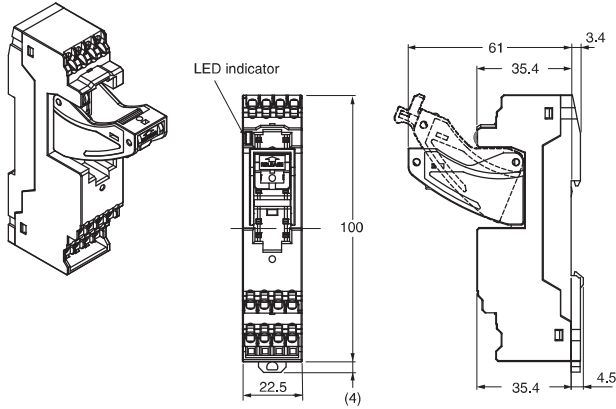


- Note:**
1. Terminals 23-24, 33-34, 43-44, 53-54, and 63-64 are normally open. Terminals 11-12, 21-22, and 31-32 are normally closed.
 2. The colors of the cards inside the Relays are as follows: G7SA-5A1B: Blue, G7SA-4A2B: White, and G7SA-3A3B: Yellow.

G7SA

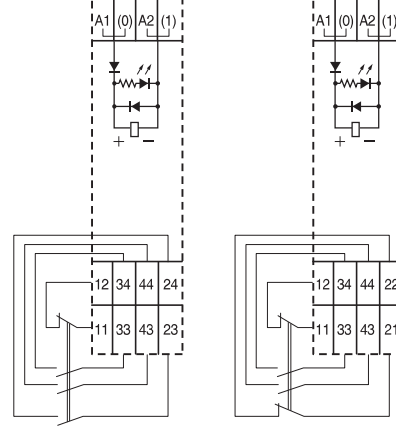
Sockets

Front-mounting Sockets Push-In Plus terminals 4 poles P7SA-10F-ND-PU



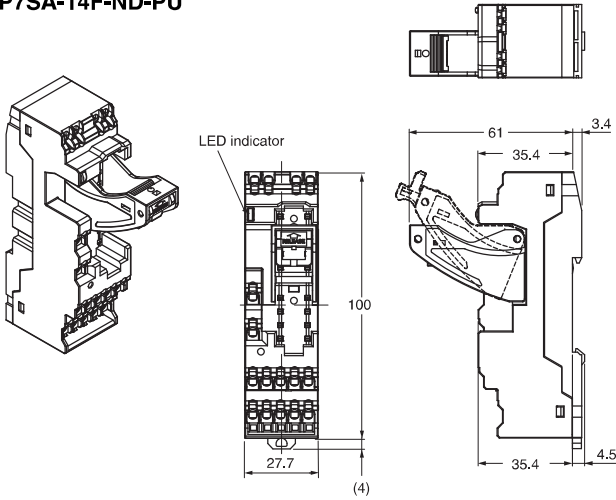
Terminals Arrangement/Internal Connections Diagram (Top View)

G7SA-3A1B Mounted G7SA-2A2B Mounted



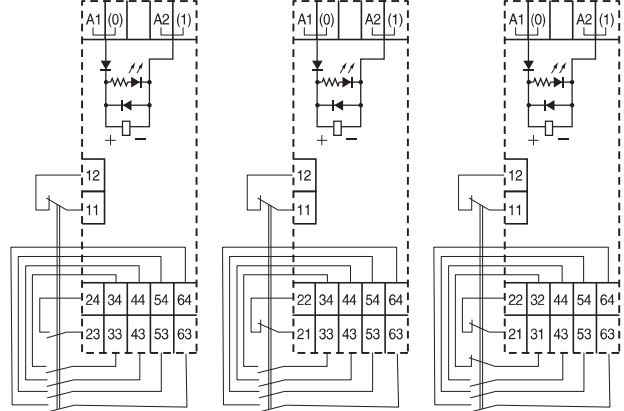
- Note:** 1. The numbers in parentheses are traditionally used terminal numbers.
2. Terminals 23-24, 33-34, and 43-44 are normally open. Terminals 11-12 and 21-22 are normally closed.

Push-In Plus terminals 6 poles P7SA-14F-ND-PU



Terminals Arrangement/Internal Connections Diagram (Top View)

G7SA-5A1B Mounted G7SA-4A2B Mounted G7SA-3A3B Mounted

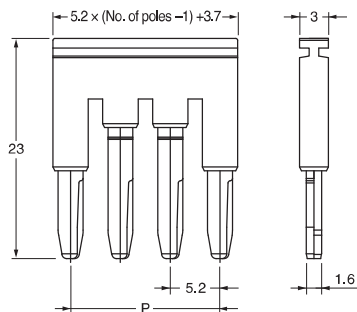


- Note:** 1. The numbers in parentheses are traditionally used terminal numbers.
2. Terminals 23-24, 33-34, 43-44, 53-54, and 63-64 are normally open. Terminals 11-12, 21-22, and 31-32 are normally closed.

Accessories (Order Separately)

Short Bars (for P7SA-□F-ND-PU)

XW5S-P2.5-□□



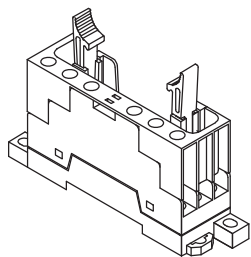
| Application | Pitch | Compatible models | No. of poles | P(mm) | Colors | Model * | Maximum carry current |
|--------------------------------|--------|-------------------|--------------|-------|--------------------------------------|--------------|-----------------------|
| For Contact terminals (bottom) | 5.2 mm | For P7SA-□F-ND-PU | 2 | 5.2 | Red (RD) Blue (BL) Yellow (YL) | XW5S-P2.5-2□ | 24 A |
| | | | 3 | 10.4 | | XW5S-P2.5-3□ | |
| | | | 4 | 15.6 | | XW5S-P2.5-4□ | |
| | | | 5 | 20.8 | | XW5S-P2.5-5□ | |

Note: Use for crossover wiring of adjacent contact terminals (bottom) within one Socket.

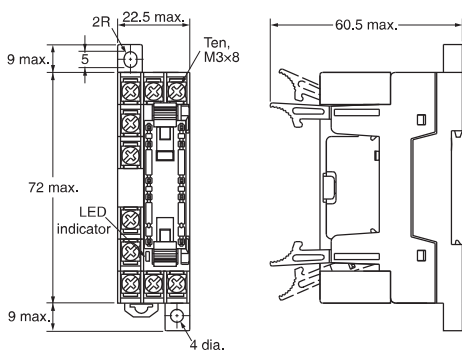
* Replace the box (□) in the model number with the code for the covering color.

Color Options: RD = red, BL = blue, YL = yellow

Front-mounting Sockets
Screw terminals 4 poles
P7SA-10F, P7SA-10F-ND

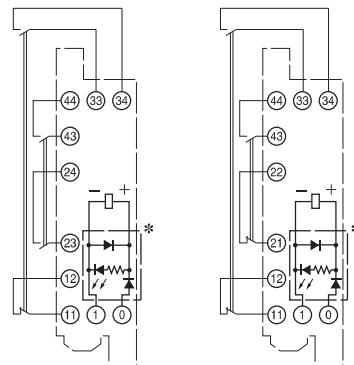


The above figure shows with the finger cover mounted.



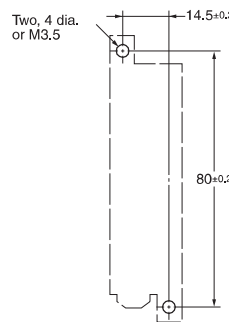
Note 1: The front view shows with the finger cover removed.
2: Only the -ND Sockets have LED indicators (orange)

Terminal Arrangement/Internal Connection Diagram (Top View)
G7SA-3A1B Mounted G7SA-2A2B Mounted

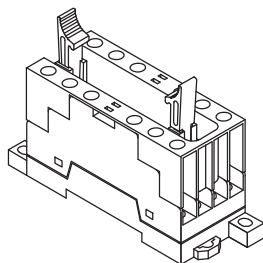


* This display circuit is available only for "-ND" models.
Note: Terminals 23-24, 33-34, and 43-44 are normally open.
 Terminals 11-12 and 21-22 are normally closed.

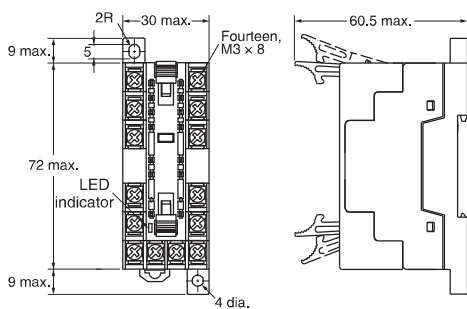
Mounting Hole Placement Diagram (Top View)



Screw terminals 6 poles
P7SA-14F, P7SA-14F-ND

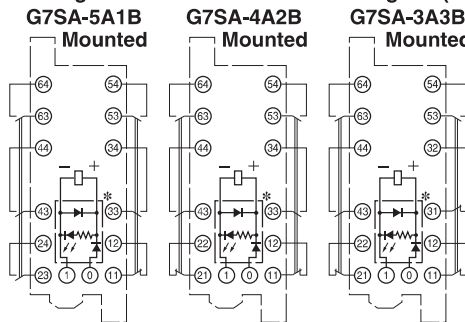


The above figure shows with the finger cover mounted.



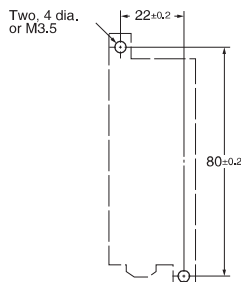
Note 1: The front view shows with the finger cover removed.
2: Only the -ND Sockets have LED indicators (orange).

Terminal Arrangement/Internal Connection Diagram (Top View)



* This display circuit is available only for "-ND" models.
Note: Terminals 23-24, 33-34, 43-44, 53-54, and 63-64 are normally open. Terminals 11-12, 21-22, and 31-32 are normally closed.

Mounting Hole Placement Diagram (Top View)

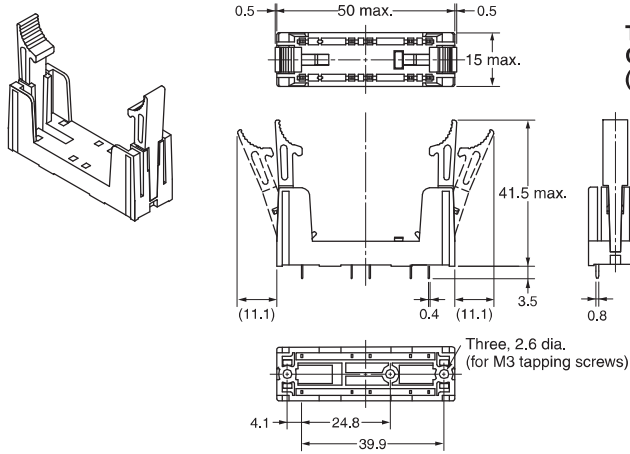


Accessories (Order Separately)

Parts for DIN Track Mounting

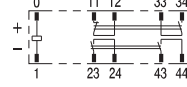
Refer to your OMRON website for details about PFP-□.

Back-mounting Sockets (for PCB) PCB terminals 4 poles P7SA-10P

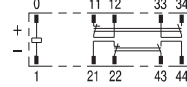


Terminal Arrangement/Internal Connection Diagram (Bottom View)

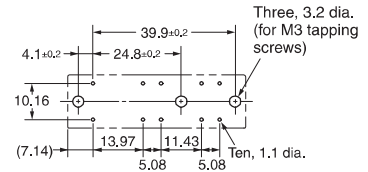
G7SA-3A1B Mounted



G7SA-2A2B Mounted

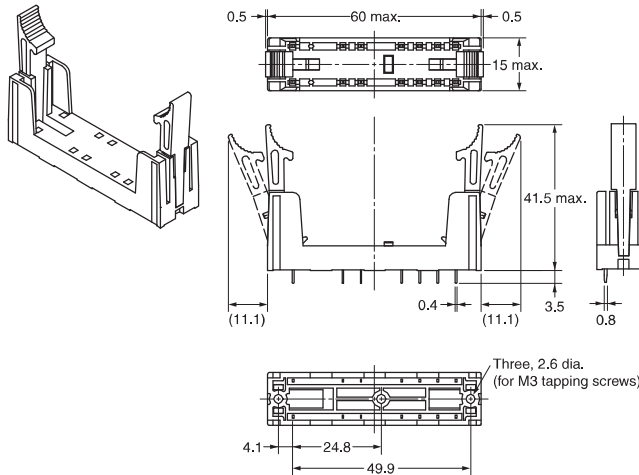


Mounting Hole Placement (Bottom View) (±0.1 tolerance)



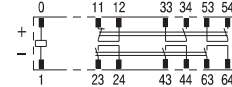
Note: Terminals 23-24, 33-34, and 43-44 are normally open. Terminals 11-12 and 21-22 are normally closed.

PCB terminals 6 poles P7SA-14P

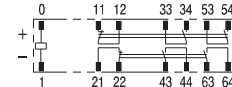


Terminal Arrangement/Internal Connection Diagram (Bottom View)

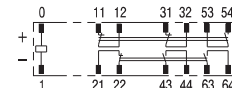
G7SA-5A1B Mounted



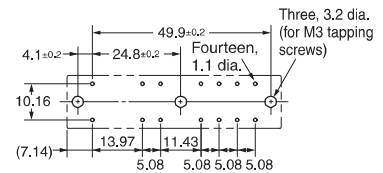
G7SA-4A2B Mounted



G7SA-3A3B Mounted



Mounting Hole Placement (Bottom View) (±0.1 tolerance)



Note: Terminals 23-24, 33-34, 43-44, 53-54, and 63-64 are normally open. Terminals 11-12, 21-22, and 31-32 are normally closed.

Certified Standards

Relays with forcibly guided contacts

G7SA

- EN Standards, VDE Certified
 - EN 61810-1 (Electromechanical non-specified time all-or-nothing relays)
 - EN 50205 (Relays with forcibly guided (linked) contacts)
- UL standard UL508 Industrial Control Devices
- CSA standard CSA C22.2 No. 14 Industrial Control Devices
- South Korea S-mark certified (Rated voltage 24VDC only)
 - KS C IEC 61810-1
 - EN 50205
- CQC GB/T 21711.1

Sockets

Screw terminals / PCB terminals

P7SA-□F-ND / P7SA-□P

- EN Standards, VDE Certified
 - EN 61984
- UL standard UL508 Industrial Control Devices
- CSA standard CSA C22.2 No. 14 Industrial Control Devices

Push-In Plus terminals

P7SA-□F-ND-PU

- EN Standards, TÜV Certified
 - EN 61984
- UL standard UL 508 Industrial Control Devices
- CSA standard CSA C22.2 No.14 Industrial Control Devices

Forcibly Guided Contacts (from EN 50205)

If an NO contact becomes welded, all NC contacts will maintain a minimum distance of 0.5 mm when the coil is not energized. Likewise if an NC contact becomes welded, all NO contacts will maintain a minimum distance of 0.5 mm when the coil is energized.

Safety Precautions

Be sure to read the *Common Precautions for All Relays with Forcibly Guided Contacts* at the following URL: <http://www.ia.omron.com/>.

Warning Indications

| | |
|------------------------------------|--|
| Precautions for Safe Use | Supplementary comments on what to do or avoid doing to use the product safely. |
| Precautions for Correct Use | Supplementary comments on what to do or avoid doing to prevent failure to operate, malfunction, or undesirable effects on product performance. |

Precautions for Safe Use

Push-In Plus Terminal Sockets (P7SA-□F-ND-PU)

- Do not attempt to wire anything to the release holes.
- When you insert a flat-blade screwdriver into a release hole, do not tilt or twist the screwdriver. The terminal block may be damaged.
- Insert a screwdriver into the release holes at an angle. The terminal block may be damaged if the screwdriver is inserted straight in.
- Do not allow the flat-blade screwdriver to fall when you are holding it in a release hole.
- Do not bend a wire past its natural bending radius or pull on it with excessive force. Doing so may break the wires.
- Do not insert more than one wire into each terminal insertion hole.
- To prevent wire materials from smoking or igniting, use the wiring materials given in the following table.

| Recommended wires | Stripping length | |
|---|------------------|-------------------|
| | Ferrules used | Ferrules not used |
| 0.5 to 1.5 mm ² / AWG 20 to 16 | 10 mm | 8 mm |

- Insert a flat-blade screwdriver all the way to the bottom of the release hole. If the flat-blade screwdriver is not inserted correctly, the wire may not be connected correctly.
- When crossover wiring with wires or short bars, make sure not to insert them in the wrong position. It may cause a short circuit, a malfunction, or a failure.

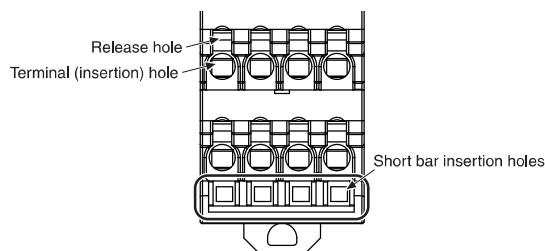
Precautions for Correct Use

Wiring

- The coil terminals have polarity (+, -). Inverting the polarity when wiring the terminals will cause the unit not to operate.
- The release time and the response time of the G7SA will be longer when using the P7SA-□F-ND(-PU) because it has a built-in diode to absorb coil surge. Because of that, confirm operation under actual conditions before using the P7SA-□F-ND(-PU).

<Using with P7SA-□F-ND-PU Push-In Plus terminal sockets>

- If there is lubrication, such as oil, on the tip of the flat-blade screwdriver, the flat-blade screwdriver may fall and possibly injure a worker.
- Do not insert short bar in the hole for wire or screw driver, it may cause the result of failure of pull out. If insert short bar in the hole for wire or screw driver and try to pull out, it may cause damage for short bar or socket.



Screw Terminal Sockets (P7SA-□F(-ND))

- Use one of the following wires to connect to the P7SA-□F(-ND).
 - Stranded wire: 0.75 to 1.5 mm²
 - Solid wire: 1.0 to 1.5 mm²
- Tighten the screws of the P7SA-□F(-ND) to a torque of 0.78 to 0.98 N·m. Tighten firmly so as not to have any loose wires.

Cleaning

The G7SA is not of enclosed construction. Therefore, do not wash the G7SA with water or detergent.

Mounting

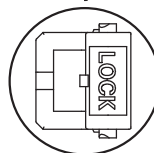
The G7SA can be installed in any direction.

Mounting and Removing the Relays

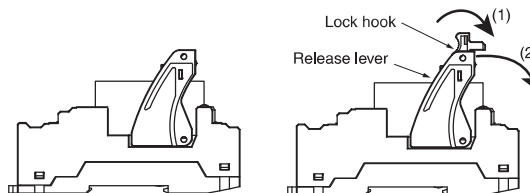
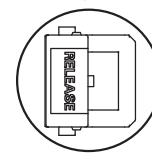
<Using with P7SA-□F-ND-PU Push-In Plus terminal sockets>

- After mounting the relay, make sure to lock the lock hook. If not, the relay may become loose upon vibration or impact.
- When removing the relay, (1) unlock the lock hook on the release side, (2) then press the release lever.
- You can release the locked block easily by inserting a tip of a flat screwdriver into the square hole.

With the relay mounted



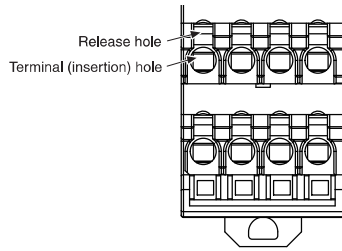
Removing the relay



Push-In Plus Terminal Sockets (P7SA-□F-ND-PU)

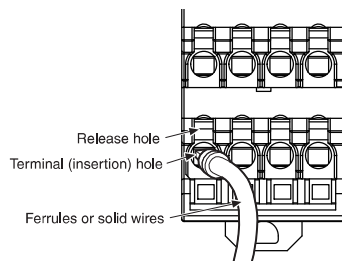
1. Connecting Wires to the Push-In Plus Terminal Block

Part Names of the Terminal Block



Connecting Wires with Ferrules and Solid Wires

Insert the solid wire or ferrule straight into the terminal block until the end strikes the terminal block.

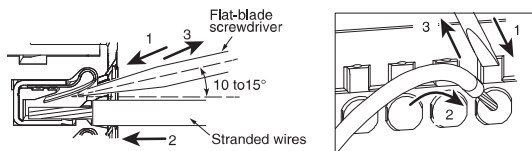


- If a wire is difficult to connect because it is too thin, use a flat-blade screwdriver in the same way as when connecting stranded wire.

Connecting Stranded Wires

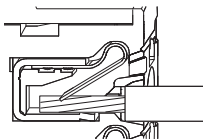
Use the following procedure to connect the wires to the terminal block.

1. Hold a flat-blade screwdriver at an angle and insert it into the release hole.
The angle should be between 10° and 15°. If the flat-blade screwdriver is inserted correctly, you will feel the spring in the release hole.
2. With the flat-blade screwdriver still inserted into the release hole, insert the wire into the terminal hole until the end strikes the terminal block.
3. Remove the flat-blade screwdriver from the release hole.



Checking Connections

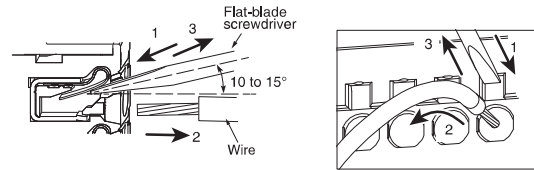
- After the insertion, pull gently on the wire to make sure that it will not come off and the wire is securely fastened to the terminal block.
- To prevent short circuits, insert the stripped part of a stranded or solid wire, or the conductor part of a ferrule until it is hidden inside the terminal insertion hole. (See the following diagram.)



2. Removing Wires from the Push-In Plus Terminal Block

Use the following procedure to remove wires from the terminal block. The same method is used to remove stranded wires, solid wires, and ferrules.

1. Hold a flat-blade screwdriver at an angle and insert it into the release hole.
2. With the flat-blade screwdriver still inserted into the release hole, remove the wire from the terminal insertion hole.
3. Remove the flat-blade screwdriver from the release hole.

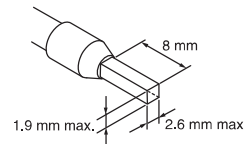


3. Recommended Ferrules and Crimp Tools

Recommended ferrules

| Applicable wire (mm ²) | (AWG) | Ferrule Conductor length (mm) | Recommended ferrules | | |
|---------------------------------------|-------|--|--|-----------------------|---------------|
| | | | Phoenix Contact product | Weidmuller product | Wago product |
| 0.5 | 20 | 8 | AI0.5-8 | H0.5/14 | FE-0.5-8N-WH |
| 0.75 | 18 | 8 | AI0.75-8 | H0.75/14 | FE-0.75-8N-GY |
| 1/1.25 | 18/17 | 8 | AI1-8 | H1.0/14 | FE-1.0-8N-RD |
| 1.25/1.5 | 17/16 | 8 | AI1.5-8 | H1.5/14 | FE-1.5-8N-BK |
| Recommended crimp tool | | | CRIMPFOX6 CRIMPFOX6T-F CRIMPFOX10S | PZ6 roto | Variocrimp4 |

- Note:**
1. Make sure that the outer diameter of the wire coating is smaller than the inner diameter of the insulation sleeve of the recommended ferrule.
 2. Make sure that the ferrule processing dimensions conform to the following figures.

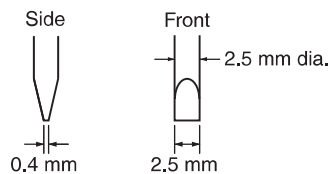


Recommended Flat-blade Screwdriver

Use a flat-blade screwdriver to connect and remove wires.

Use the following flat-blade screwdriver.

The following table shows manufacturers and models as of 2015/Dec.



| Model | Manufacturer |
|--------------------------------|-----------------|
| SZS 0.4×2.5 SZF 0-0.4×2.5 * | Phoenix Contact |
| ESD0.40×2.5 | Wera |
| 0.4×2.5×75 302 | Wiha |
| AEF,2.5×75 | Facom |
| 210-719 | Wago |
| SDI 0.4×2.5×75 | Weidmuller |

* OMRON's exclusive purchase model XW4Z-00B is available to order as SZF 0-0.4 × 2.5 (manufactured by Phoenix Contact).

Terms and Conditions Agreement

Read and understand this catalog.

Please read and understand this catalog before purchasing the products. Please consult your OMRON representative if you have any questions or comments.

Warranties.

(a) Exclusive Warranty. Omron's exclusive warranty is that the Products will be free from defects in materials and workmanship for a period of twelve months from the date of sale by Omron (or such other period expressed in writing by Omron). Omron disclaims all other warranties, express or implied.

(b) Limitations. OMRON MAKES NO WARRANTY OR REPRESENTATION, EXPRESS OR IMPLIED, ABOUT NON-INFRINGEMENT, MERCHANTABILITY OR FITNESS FOR A PARTICULAR PURPOSE OF THE PRODUCTS. BUYER ACKNOWLEDGES THAT IT ALONE HAS DETERMINED THAT THE PRODUCTS WILL SUITABLY MEET THE REQUIREMENTS OF THEIR INTENDED USE.

Omron further disclaims all warranties and responsibility of any type for claims or expenses based on infringement by the Products or otherwise of any intellectual property right. (c) Buyer Remedy. Omron's sole obligation hereunder shall be, at Omron's election, to (i) replace (in the form originally shipped with Buyer responsible for labor charges for removal or replacement thereof) the non-complying Product, (ii) repair the non-complying Product, or (iii) repay or credit Buyer an amount equal to the purchase price of the non-complying Product; provided that in no event shall Omron be responsible for warranty, repair, indemnity or any other claims or expenses regarding the Products unless Omron's analysis confirms that the Products were properly handled, stored, installed and maintained and not subject to contamination, abuse, misuse or inappropriate modification. Return of any Products by Buyer must be approved in writing by Omron before shipment. Omron Companies shall not be liable for the suitability or unsuitability or the results from the use of Products in combination with any electrical or electronic components, circuits, system assemblies or any other materials or substances or environments. Any advice, recommendations or information given orally or in writing, are not to be construed as an amendment or addition to the above warranty.

See <http://www.omron.com/global/> or contact your Omron representative for published information.

Limitation on Liability; Etc.

OMRON COMPANIES SHALL NOT BE LIABLE FOR SPECIAL, INDIRECT, INCIDENTAL, OR CONSEQUENTIAL DAMAGES, LOSS OF PROFITS OR PRODUCTION OR COMMERCIAL LOSS IN ANY WAY CONNECTED WITH THE PRODUCTS, WHETHER SUCH CLAIM IS BASED IN CONTRACT, WARRANTY, NEGLIGENCE OR STRICT LIABILITY.

Further, in no event shall liability of Omron Companies exceed the individual price of the Product on which liability is asserted.

Suitability of Use.

Omron Companies shall not be responsible for conformity with any standards, codes or regulations which apply to the combination of the Product in the Buyer's application or use of the Product. At Buyer's request, Omron will provide applicable third party certification documents identifying ratings and limitations of use which apply to the Product. This information by itself is not sufficient for a complete determination of the suitability of the Product in combination with the end product, machine, system, or other application or use. Buyer shall be solely responsible for determining appropriateness of the particular Product with respect to Buyer's application, product or system. Buyer shall take application responsibility in all cases.

NEVER USE THE PRODUCT FOR AN APPLICATION INVOLVING SERIOUS RISK TO LIFE OR PROPERTY OR IN LARGE QUANTITIES WITHOUT ENSURING THAT THE SYSTEM AS A WHOLE HAS BEEN DESIGNED TO ADDRESS THE RISKS, AND THAT THE OMRON PRODUCT(S) IS PROPERLY RATED AND INSTALLED FOR THE INTENDED USE WITHIN THE OVERALL EQUIPMENT OR SYSTEM.

Programmable Products.

Omron Companies shall not be responsible for the user's programming of a programmable Product, or any consequence thereof.

Performance Data.

Data presented in Omron Company websites, catalogs and other materials is provided as a guide for the user in determining suitability and does not constitute a warranty. It may represent the result of Omron's test conditions, and the user must correlate it to actual application requirements. Actual performance is subject to the Omron's Warranty and Limitations of Liability.

Change in Specifications.

Product specifications and accessories may be changed at any time based on improvements and other reasons. It is our practice to change part numbers when published ratings or features are changed, or when significant construction changes are made. However, some specifications of the Product may be changed without any notice. When in doubt, special part numbers may be assigned to fix or establish key specifications for your application. Please consult with your Omron's representative at any time to confirm actual specifications of purchased Product.

Errors and Omissions.

Information presented by Omron Companies has been checked and is believed to be accurate; however, no responsibility is assumed for clerical, typographical or proofreading errors or omissions.

OMRON AUTOMATION AMERICAS HEADQUARTERS • Chicago, IL USA • 847.843.7900 • 800.556.6766 • www.omron247.com

OMRON CANADA, INC. • HEAD OFFICE

Toronto, ON, Canada • 416.286.6465 • 866.986.6766 • www.omron247.com

OMRON ELECTRONICS DE MEXICO • HEAD OFFICE

México DF • 52.55.59.01.43.00 • 01-800-226-6766 • mela@omron.com

OMRON ELECTRONICS DE MEXICO • SALES OFFICE

Apodaca, N.L. • 52.81.11.56.99.20 • 01-800-226-6766 • mela@omron.com

OMRON ELETRÔNICA DO BRASIL LTDA • HEAD OFFICE

São Paulo, SP, Brasil • 55.11.2101.6300 • www.omron.com.br

OMRON ARGENTINA • SALES OFFICE

Cono Sur • 54.11.4783.5300

OMRON CHILE • SALES OFFICE

Santiago • 56.9.9917.3920

OTHER OMRON LATIN AMERICA SALES

54.11.4783.5300

OMRON EUROPE B.V. • Wegalaan 67-69, NL-2132 JD, Hoofddorp, The Netherlands. • +31 (0) 23 568 13 00 • www.industrial.omron.eu

Authorized Distributor:

Controllers & I/O

- Machine Automation Controllers (MAC) • Motion Controllers
- Programmable Logic Controllers (PLC) • Temperature Controllers • Remote I/O

Robotics

- Industrial Robots • Mobile Robots

Operator Interfaces

- Human Machine Interface (HMI)

Motion & Drives

- Machine Automation Controllers (MAC) • Motion Controllers • Servo Systems
- Frequency Inverters

Vision, Measurement & Identification

- Vision Sensors & Systems • Measurement Sensors • Auto Identification Systems

Sensing

- Photoelectric Sensors • Fiber-Optic Sensors • Proximity Sensors
- Rotary Encoders • Ultrasonic Sensors

Safety

- Safety Light Curtains • Safety Laser Scanners • Programmable Safety Systems
- Safety Mats and Edges • Safety Door Switches • Emergency Stop Devices
- Safety Switches & Operator Controls • Safety Monitoring/Force-guided Relays

Control Components

- Power Supplies • Timers • Counters • Programmable Relays
- Digital Panel Meters • Monitoring Products

Switches & Relays

- Limit Switches • Pushbutton Switches • Electromechanical Relays
- Solid State Relays

Software

- Programming & Configuration • Runtime