



Main

| | |
|---------------------------|---------------------------------|
| Range of Product | Harmony 9001K Harmony 9001SK |
| Product or Component Type | Light block |
| Device short name | 9001K |
| Bulb base | BA 9s |
| Light block supply | Direct via integral resistance |

Complementary

| | |
|---------------------------|-----------------------|
| Product Weight | 0.11 lb(US) (0.05 kg) |
| Light source | Incandescent bulb |
| [Us] rated supply voltage | 12 V AC/DC |
| [Us] rated supply voltage | 12...14 V |
| Light block supply | Full voltage |
| Size | 30 mm |

Environment

| | |
|---------------------------------------|--|
| Protective treatment | TC |
| Ambient Air Temperature for Storage | -40...158 °F (-40...70 °C) |
| Ambient Air Temperature for Operation | -13...158 °F (-25...70 °C) |
| IP degree of protection | IP20 IEC 60529 |
| Standards | EN/IEC 60947-5-4 EN/IEC 60947-1 CSA C22.2 No 14 EN/IEC 60947-5-1 JIS C 4520 UL 508 JIS C 852 |
| Product Certifications | NEMA UL 508 |
| Electrical shock protection class | Class II IEC 61140 |
| Vibration resistance | 7 gn 2...500 Hz)IEC 60068-2-6 |
| Shock resistance | 50 gn IEC 60068-2-27 |

Ordering and shipping details

| | |
|-------------------|-----------------------------|
| Category | 21435-9001 KM LIGHT MODULES |
| Discount Schedule | CS1 |
| GTIN | 3389118042438 |
| Returnability | Yes |
| Country of origin | MX |

Packing Units

| | |
|------------------------------|--------------------|
| Unit Type of Package 1 | PCE |
| Number of Units in Package 1 | 1 |
| Package 1 Height | 1.90 in (4.826 cm) |
| Package 1 Width | 2.20 in (5.588 cm) |
| Package 1 Length | 3.80 in (9.652 cm) |
| Package 1 Weight | 2.24 oz (63.503 g) |

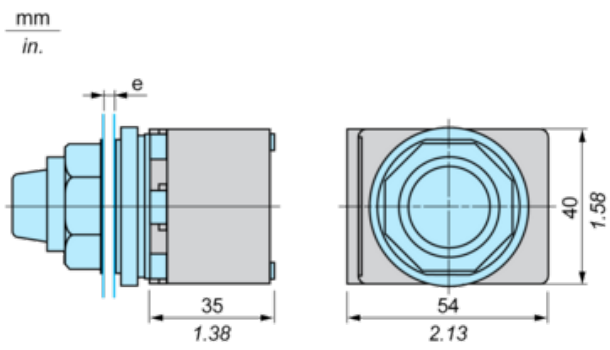
Offer Sustainability

| | |
|----------------------------|---|
| Sustainable offer status | Green Premium product |
| California proposition 65 | WARNING: This product can expose you to chemicals including: Lead and lead compounds, which is known to the State of California to cause cancer and birth defects or other reproductive harm. For more information go to www.P65Warnings.ca.gov |
| REACH Regulation | REACH Declaration |
| EU RoHS Directive | Pro-active compliance (Product out of EU RoHS legal scope) EU RoHS Declaration |
| Mercury free | Yes |
| China RoHS Regulation | China RoHS Declaration |
| RoHS exemption information | Yes |
| Environmental Disclosure | Product Environmental Profile |
| WEEE | The product must be disposed on European Union markets following specific waste collection and never end up in rubbish bins. |

Contractual warranty

| | |
|----------|-----------|
| Warranty | 18 months |
|----------|-----------|

Dimensions



e panel thickness: 1 to 6 mm / 0.04 to 0.24 in.