



Main

Range of Product	Modicon Momentum automation platform
Product or Component Type	Processor
Product Compatibility	Modicon STB I/O
Integrated connection type	USB port Ethernet

Complementary

Concept	Transparent Ready class B
Web services	Bandwidth monitoring Properties CPU status Ethernet statistics Home pages
Software Designation	Unity Pro
Communication service	Modbus messaging 125 words, 200 I/O message per second Global Data, 2200 I/O message per second Modbus TCP I/O Scanner and Messaging
Processor name	Spear 320s
Word length	32 bit
Supply voltage limits	4.75...5.25 V
Clock frequency	333 MHz
Topology	Multidrop Modbus Star Modbus TCP
Communication port protocol	Modbus RS485/RS232 - 1 RJ45 19200 bps - 2-wire Modbus TCP ETHERNET - 1 RJ45 10/100 Mbps - twisted shielded pairs cable CAT 5E UTP
Method of access	Client/Server Master/slave
Control parameter	CRC-32 for Modbus TCP/IP CRC-16 for Modbus
Addressing	1...247 Modbus Unique IEEE global address Modbus TCP
Fail state	Safe I/O mode
Memory description	Program memory IEC 3584 kB Program memory LL984 3584 kB
Register words	26048
I/O limit processor capacity	2048 inputs/2048 outputs
Number of devices	32 Modbus
Exact time for 1 Kinstruction	83 ns
Local signalling	For processor running (RUN) 1 LED (green) For processor or system fault (ERR) 1 LED (red) For I/O module fault (I/O) 1 LED (red) For channel 0 operating (CH0) 1 LED (yellow) For data rate (ETH 100) 1 LED (green) For data rate (ETH LINK) 1 LED (green) For status of Ethernet network (ETH STS) 1 LED (green)
Marking	CE

Current consumption	500 mA 5 V DC
Module format	Standard
Product mounting	35 mm symmetrical DIN rail
Height	2.39 in (60.6 mm)
Width	5.67 in (144 mm)
Depth	2.11 in (53.47 mm)
Product Weight	0.36 lb(US) (0.163 kg)

Environment

Material	Lexan
Dielectric strength	0 V not isolated RS485/RS232 5000 V for 1 minute ETHERNET
Product Certifications	C-tick FM
Standards	UL 508 CSA C22.2 No 142 EN/IEC 61131-2
IP degree of protection	IP20
Shock resistance	15 gn 11 ms sinusoidal vibrations
Resistance to electrostatic discharge	6 KV contact EN/IEC 61131-2 zone B 6 KV contact IACS E10 8 kV on air EN/IEC 61000-4-2
Resistance to electromagnetic fields	13.72 V/m (15 V/m) 80...2700 MHz EN/IEC 61000-4-3
Ambient Air Temperature for Operation	32...140 °F (0...60 °C)
Ambient Air Temperature for Storage	-40...185 °F (-40...85 °C)
Relative humidity	5...96 %
Operating altitude	<= 6561.68 ft (2000 m)

Ordering and shipping details

Category	18206-MOMENTUM PROCESSORS,I/O BASES,CONN.
Discount Schedule	PC31
GTIN	3595864171401
Returnability	No
Country of origin	FR

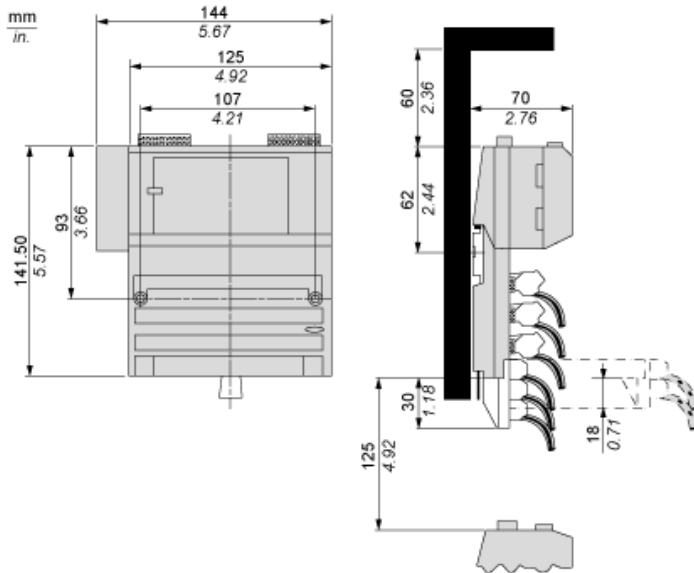
Packing Units

Unit Type of Package 1	PCE
Number of Units in Package 1	1
Package 1 Height	2.95 in (7.500 cm)
Package 1 Width	4.41 in (11.200 cm)
Package 1 Length	8.07 in (20.500 cm)
Package 1 Weight	8.47 oz (240.000 g)
Unit Type of Package 2	S03
Number of Units in Package 2	8
Package 2 Height	11.81 in (30.000 cm)
Package 2 Width	11.81 in (30.000 cm)
Package 2 Length	15.75 in (40.000 cm)
Package 2 Weight	5.27 lb(US) (2.389 kg)

Offer Sustainability

Sustainable offer status	Green Premium product
California proposition 65	WARNING: This product can expose you to chemicals including: Lead and lead compounds, which is known to the State of California to cause cancer and birth defects or other reproductive harm. For more information go to www.P65Warnings.ca.gov
REACH Regulation	REACH Declaration
EU RoHS Directive	Pro-active compliance (Product out of EU RoHS legal scope) EU RoHS Declaration
Mercury free	Yes
China RoHS Regulation	China RoHS Declaration
RoHS exemption information	Yes
Circularity Profile	End Of Life Information
WEEE	The product must be disposed on European Union markets following specific waste collection and never end up in rubbish bins.

Processor and Option Adapter on a Typical Base



Mounting on a Wall

