

Product data sheet

Characteristics

9001SKY2

Empty enclosure control station, Harmony 9001K, Harmony 9001SK, plastic, 2 cut-outs, 30mm, for 3/4 cable entry



Main

Range of Product	Harmony 9001SK Harmony 9001K
Product or Component Type	Empty enclosure
Device short name	9001SK
Number of cut-out	2 cut-outs
Cable entry	1 entry tapped for 3/4" knockout

Complementary

Product destination	For Ø 30 mm control and signalling units
Material	Plastic
Product Weight	1.52 lb(US) (0.69 kg)

Environment

Protective treatment	TH
Ambient Air Temperature for Storage	-40...158 °F (-40...70 °C)
Ambient Air Temperature for Operation	-13...158 °F (-25...70 °C)
Overvoltage category	II IEC 61140
NEMA degree of protection	NEMA 1 NEMA 12 NEMA 3 NEMA 4 NEMA 4X

Ordering and shipping details

Category	21429-9001 SK,SKY
Discount Schedule	CS1
GTIN	785901154082
Returnability	Yes
Country of origin	MX

Packing Units

Unit Type of Package 1	PCE
Number of Units in Package 1	1
Package 1 Height	5.00 in (12.7 cm)
Package 1 Width	4.90 in (12.446 cm)
Package 1 Length	8.00 in (20.32 cm)
Package 1 Weight	27.19 oz (770.971 g)
Unit Type of Package 2	PAL
Number of Units in Package 2	210
Package 2 Height	40.00 in (101.6 cm)
Package 2 Width	40.00 in (101.6 cm)

Package 2 Length	48.00 in (121.92 cm)
Package 2 Weight	360.00 lb(US) (163.293 kg)

Offer Sustainability

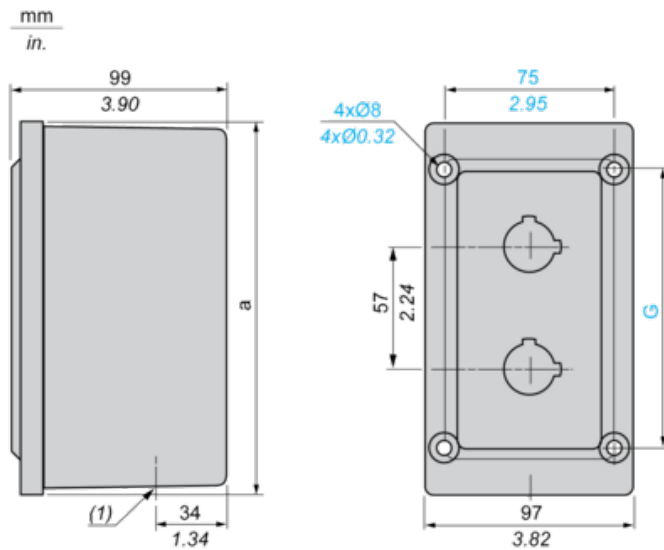
Sustainable offer status	Green Premium product
California proposition 65	WARNING: This product can expose you to chemicals including: Nickel compounds, which is known to the State of California to cause cancer, and Di-isodecyl phthalate (DIDP), which is known to the State of California to cause birth defects or other reproductive harm. For more information go to www.P65Warnings.ca.gov
REACH Regulation	REACH Declaration
REACH free of SVHC	Yes
EU RoHS Directive	Pro-active compliance (Product out of EU RoHS legal scope) EU RoHS Declaration
Toxic heavy metal free	Yes
Mercury free	Yes
China RoHS Regulation	China RoHS Declaration
RoHS exemption information	Yes
Environmental Disclosure	Product Environmental Profile

Contractual warranty

Warranty	18 months
----------	-----------

Dimensions

Below drawing shows a 2-hole enclosure. Refer to the product characteristics to get the number of holes.



(1) Knockout conduit thread: 3/4".

a		G	
mm	in.	mm	in.
169	6.65	124	4.88