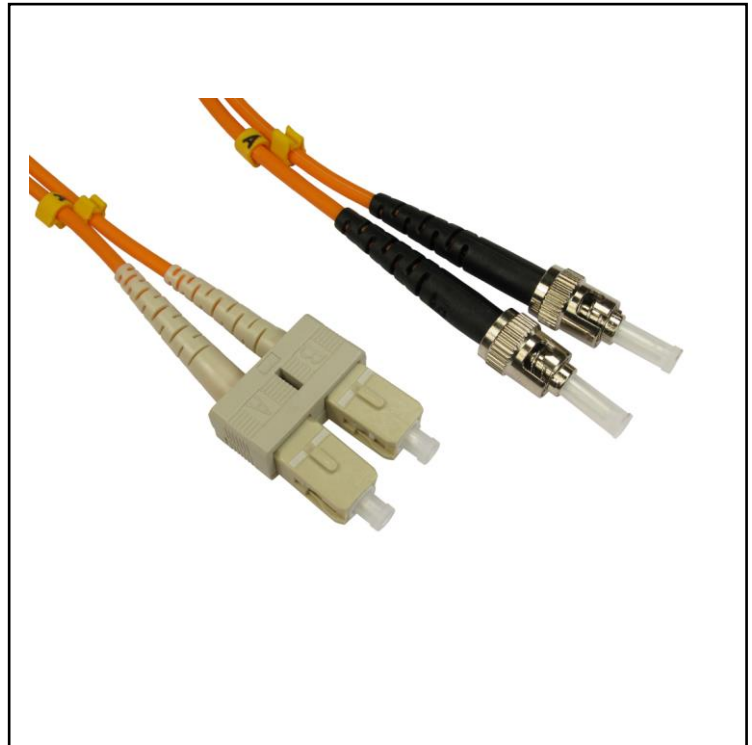


## FEATURES

- OM2
- ST-SC
- 50/125
- Orange
- LSZH
- Multi-Mode Duplex
- Bandwidth:  
500/500MHz
- Blue Insertion Loss:  
 $\leq 0.3\text{dB}$
- Red Insertion Loss:  
 $\leq 0.3\text{dB}$
- Bend Radius: 3.0mm
- Operating Temp:  
-20 – 60 C

## RS PRO OM2 50/125 ST-SC Fibre Cable - Orange

RS Stock No: 2662392, 2662393, 2662394,  
2662395, 2662396, 2662397, 2662398



RS Professionally Approved Products bring to you professional quality parts across all product categories. Our product range has been tested by engineers and provides a comparable quality to the leading brands without paying a premium price.

### Product Description

Fibre optic cables use glass threads (fibres) to transmit data. These fibres transmit the data by using modulated light waves. Fibre cables are popular because they have a much greater bandwidth than the standard copper networking cables.

The cables have ST to SC connectors, orange low smoke zero halogen jacket and 50 fibre core with 125 cladding.

### General Specifications

<b>Connector A</b>	ST Duplex
<b>Connector B</b>	SC Duplex
<b>Length</b>	0.5mtr – 15mtr
<b>Outer Sheath Material</b>	LSZH
<b>Sheath Colour</b>	Orange

### Approvals

<b>Declarations</b>	CE UKCA REACH ROHS
<b>Hazardous Area Certification</b>	CE UKCA REACH ROHS
<b>Standards Met</b>	CE UKCA REACH ROHS

### Similar Products

Stock No.	Brand	Length	Connector A	Connector B	Colour
2662392	RS PRO	0.5mtr	ST Duplex	SC Duplex	Orange
2662393	RS PRO	1mtr	ST Duplex	SC Duplex	Orange
2662394	RS PRO	2mtr	ST Duplex	SC Duplex	Orange
2662395	RS PRO	3mtr	ST Duplex	SC Duplex	Orange
2662396	RS PRO	5mtr	ST Duplex	SC Duplex	Orange
2662397	RS PRO	10mtr	ST Duplex	SC Duplex	Orange
2662398	RS PRO	15mtr	ST Duplex	SC Duplex	Orange

# Fibre Optic Cable

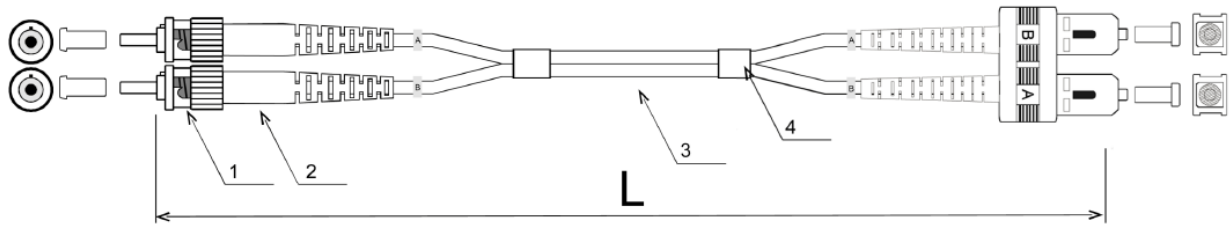


TABLE A

	Fiber Mode	
	SM	MM
1-PLUG		
2-BOOT	BLACK	BLACK
3-CABLE	Yellow	OM1 Grey   OM2 Orange   OM3 Aqua
4-HEAT SHRINK TUBE	BLACK	BLACK
Insertion Loss(dB)	≤0.3dB	≤0.3dB
Return Loss(dB)	36.5 dB	

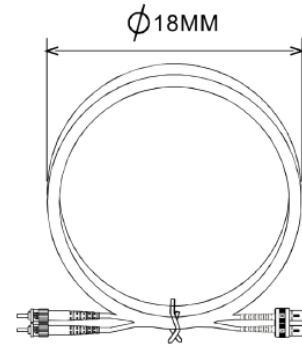


TABLE B

Item	
Cable diameter(MM)	Φ 2.8
Cable type	LSZH
Ferrule Interface type	UPC
Cable length(M)	L=1, 2, 3, 5, 10, 15, 20.....

MATERIAL		NOTES		TITLE	
FINISH		NOTES		ST-SC DUPLEX PATCH CORD	
SHEET		UNIT MM		DATE	SIZE A4
					REV A