

RP SMA Female to TNC Female Adapter

Electrical Specifications

Frequency Range DC to 11 GHz
 Maximum VSWR 1.2:1

Mechanical Specifications

Size
 Length 1.12 in [28.45 mm]
 Width 0.5 in [12.7 mm]

Connector 1

Type	SMA Female Reverse Polarity
Inner Conductor Material and Plating	Gold
Inner Conductor Plating Specification	MIL-G-45204
Body Material and Plating	Brass, Nickel
Dielectric Type	Teflon

Connector 2

Type	TNC Female
Inner Conductor Material and Plating	Gold
Inner Conductor Plating Specification	MIL-G-45204
Body Material and Plating	Brass, Nickel
Dielectric Type	Teflon

Environmental Specifications

Temperature
 Operating Range -65 to +165 deg C

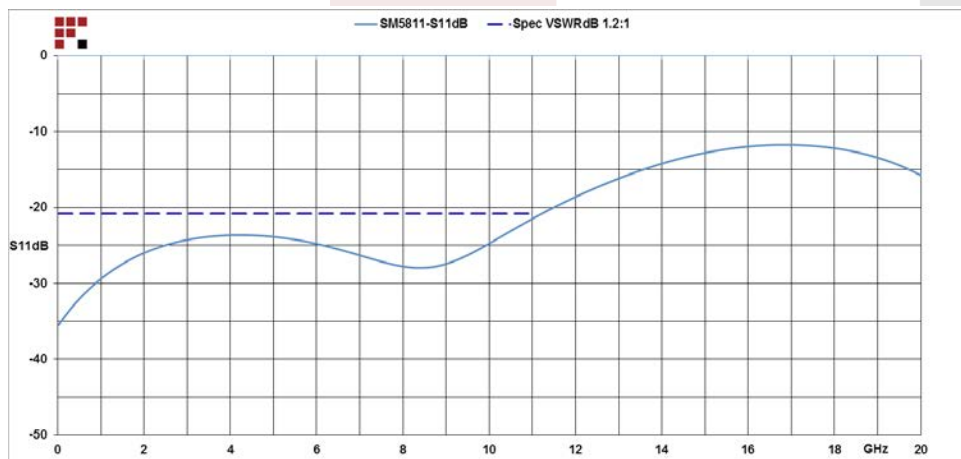
Compliance Certifications (visit www.FairviewMicrowave.com for current document)

RoHS Compliant Yes

Plotted and Other Data

Notes:
 • Values at 25 °C, sea level

Typical Performance Data



Features:

- Connector 1: SMA Female Reverse Polarity
- Impedance 1: 50 Ohms
- Connector Specification 1: MIL-C-39012
- Connector 2: TNC Female
- Impedance 2: 50 Ohms
- Connector Specification 2: MIL-C-39012
- Adapter Design: Standard
- Body Style: Straight

Fairview Microwave
 1130 Junction Dr. #100
 Allen, TX 75013
 Tel: 1-800-715-4396 / (972) 649-6678
 Fax: (972) 649-6689
www.fairviewmicrowave.com
sales@fairviewmicrowave.com

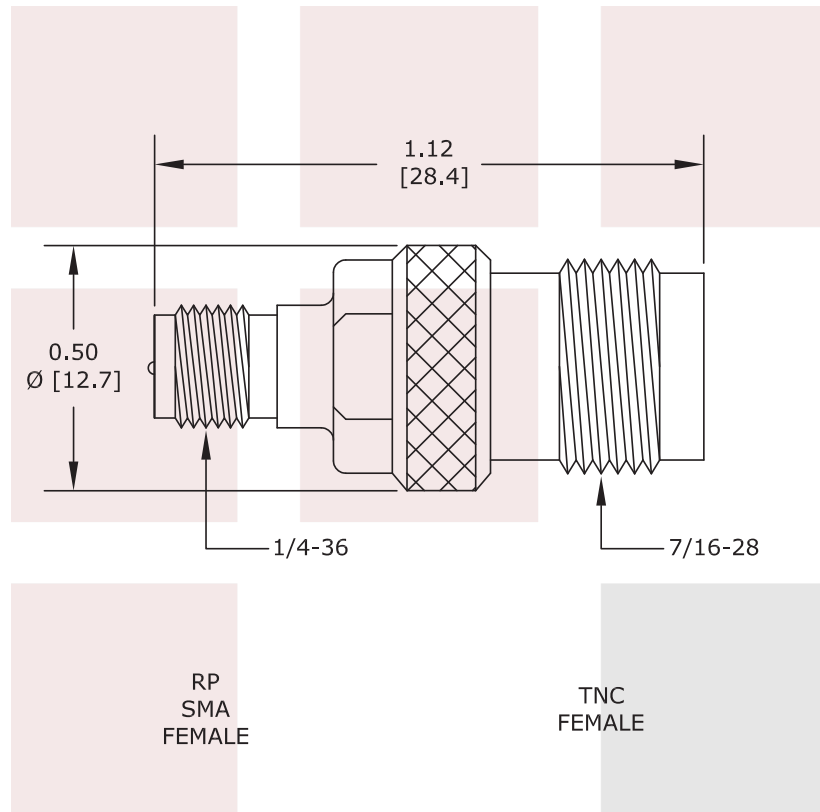
RP SMA Female to TNC Female Adapter from Fairview Microwave is in-stock and available to ship same-day. All of our RF/microwave products are available off-the-shelf from our ISO 9001:2008 certified facilities in Allen, Texas. Fairview Microwave is RF on-demand.

For additional information on this product, please click the following link: [RP SMA Female to TNC Female Adapter SM5811](#)

URL: <http://www.fairviewmicrowave.com/rp-sma-female-tnc-female-adapter-sm5811-p.aspx>

The information contained in this document is accurate to the best of our knowledge and representative of the part described herein. It may be necessary to make modifications to the part and/or the documentation of the part, in order to implement improvements. Fairview Microwave reserves the right to make such changes as required. Unless otherwise stated, all specifications are nominal. Fairview Microwave does not make any representation or warranty regarding the suitability of the part described herein for any particular purpose, and Fairview Microwave does not assume any liability arising out of the use of any part or documentation.





FAIRVIEW MICROWAVE INC. ALLEN, TX 75013 WWW.FAIRVIEWMICROWAVE.COM		NOTES: 1. UNLESS OTHERWISE SPECIFIED ALL DIMENSIONS ARE NOMINAL. 2. ALL SPECIFICATIONS ARE SUBJECT TO CHANGE WITHOUT NOTICE AT ANY TIME. 3. DIMENSIONS ARE IN INCHES [mm].			
TITLE RP SMA Female to TNC Female Adapter		DWG NO SM5811		CAGE CODE 3FKR5	
CAD FILE	101514	SHEET	SCALE	N/A	SIZE A 150