



Main

| | |
|---------------------------|-------------------------------|
| Range of Product | Modicon X80 |
| Product or Component Type | Discrete input module |
| Discrete input number | 64 |
| Discrete input type | Isolated |
| Input type | Current sink (logic positive) |
| Discrete input voltage | 24 V DC positive |
| Discrete input current | 0.6 mA |

Complementary

| | |
|-----------------------------|--|
| Input compatibility | 2-wire/3-wire proximity sensor IEC 60947-5-2 2-wire/3-wire proximity sensor IEC 61131-2 Type 1 |
| Sensor power supply | 19...30 V |
| Input impedance | 40000 Ohm |
| Insulation resistance | > 10 MOhm 500 V DC |
| Power dissipation in W | 4.3 W |
| DC typical response time | 4 ms |
| DC maximum response time | 7 ms |
| Paralleling of inputs | No |
| Typical current consumption | 160 mA 3.3 V DC |
| MTBF reliability | 510000 H |
| Protection type | 1 external fuse per group of channel 0.5 A fast blow Without reverse polarity protection |
| Voltage detection threshold | < 14 V DC sensor fault > 18 V DC sensor OK |
| Status LED | 1 LED (Green) +32 channels indicator 1 LED (Green) module operating (RUN) 1 LED per channel (Green) channel diagnostic 1 LED (Red) module error (ERR) 1 LED (Red) module I/O |
| Product Weight | 0.32 lb(US) (0.145 kg) |

Environment

| | |
|---------------------------------------|--|
| IP Degree of Protection | IP20 |
| Directives | 2014/35/EU - low voltage directive 2014/30/EU - electromagnetic compatibility |
| Dielectric strength | 1500 V AC 50/60 Hz 1 minute, primary/secondary 500 V DC 1 minute, between group of channels |
| Vibration resistance | 3 gn |
| Shock resistance | 30 gn |
| Ambient Air Temperature for Storage | -40...185 °F (-40...85 °C) |
| Ambient Air Temperature for Operation | 32...140 °F (0...60 °C) |
| Relative humidity | 5...95 % 131 °F (55 °C) without condensation |
| Operating altitude | 0...6561.68 ft (0...2000 m) 2000...5000 m with derating factor |

Ordering and shipping details

| | |
|-------------------|--------------------|
| Category | 18160-MODICON M340 |
| Discount Schedule | PC34 |
| GTIN | 3595863910445 |
| Returnability | Yes |
| Country of origin | ID |

Packing Units

| | |
|------------------------------|------------------------|
| Unit Type of Package 1 | PCE |
| Number of Units in Package 1 | 1 |
| Package 1 Height | 2.16 in (5.481 cm) |
| Package 1 Width | 4.41 in (11.199 cm) |
| Package 1 Length | 4.59 in (11.666 cm) |
| Package 1 Weight | 6.70 oz (190.0 g) |
| Unit Type of Package 2 | S02 |
| Number of Units in Package 2 | 15 |
| Package 2 Height | 5.91 in (15 cm) |
| Package 2 Width | 11.81 in (30 cm) |
| Package 2 Length | 15.75 in (40 cm) |
| Package 2 Weight | 7.67 lb(US) (3.481 kg) |
| Unit Type of Package 3 | P06 |
| Number of Units in Package 3 | 240 |
| Package 3 Height | 29.53 in (75.0 cm) |
| Package 3 Width | 23.62 in (60.0 cm) |
| Package 3 Length | 31.50 in (80.0 cm) |
| Package 3 Weight | 145.51 lb(US) (66 kg) |

Offer Sustainability

| | |
|----------------------------|---|
| Sustainable offer status | Green Premium product |
| California proposition 65 | WARNING: This product can expose you to chemicals including: Lead and lead compounds, which is known to the State of California to cause cancer and birth defects or other reproductive harm. For more information go to www.P65Warnings.ca.gov |
| REACH Regulation | REACH Declaration |
| EU RoHS Directive | Pro-active compliance (Product out of EU RoHS legal scope) EU RoHS Declaration |
| Mercury free | Yes |
| China RoHS Regulation | China RoHS Declaration |
| RoHS exemption information | Yes |
| Circularity Profile | End Of Life Information |
| WEEE | The product must be disposed on European Union markets following specific waste collection and never end up in rubbish bins. |

Contractual warranty

| | |
|----------|-----------|
| Warranty | 18 months |
|----------|-----------|

Modules Mounted on Racks

Dimensions



(1) With removable terminal block (cage, screw or spring).

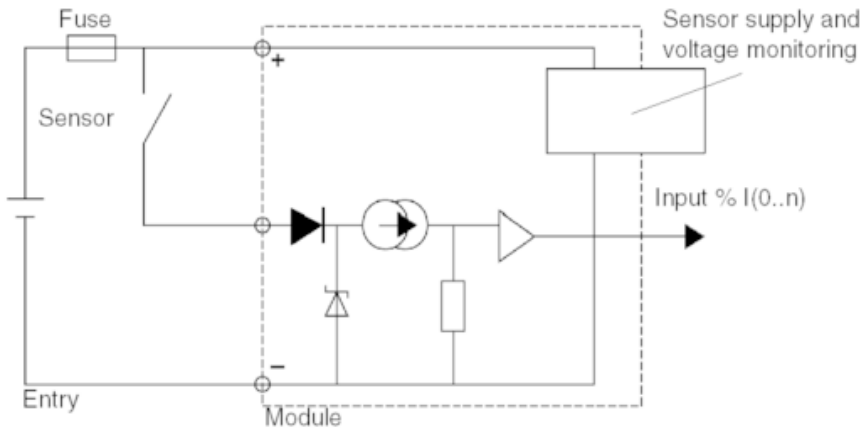
(2) With FCN connector.

(3) On AM1 ED rail: 35 mm wide, 15 mm deep. Only possible with BMXXBP0400/0400H/0600/0600H/0800/0800H rack.

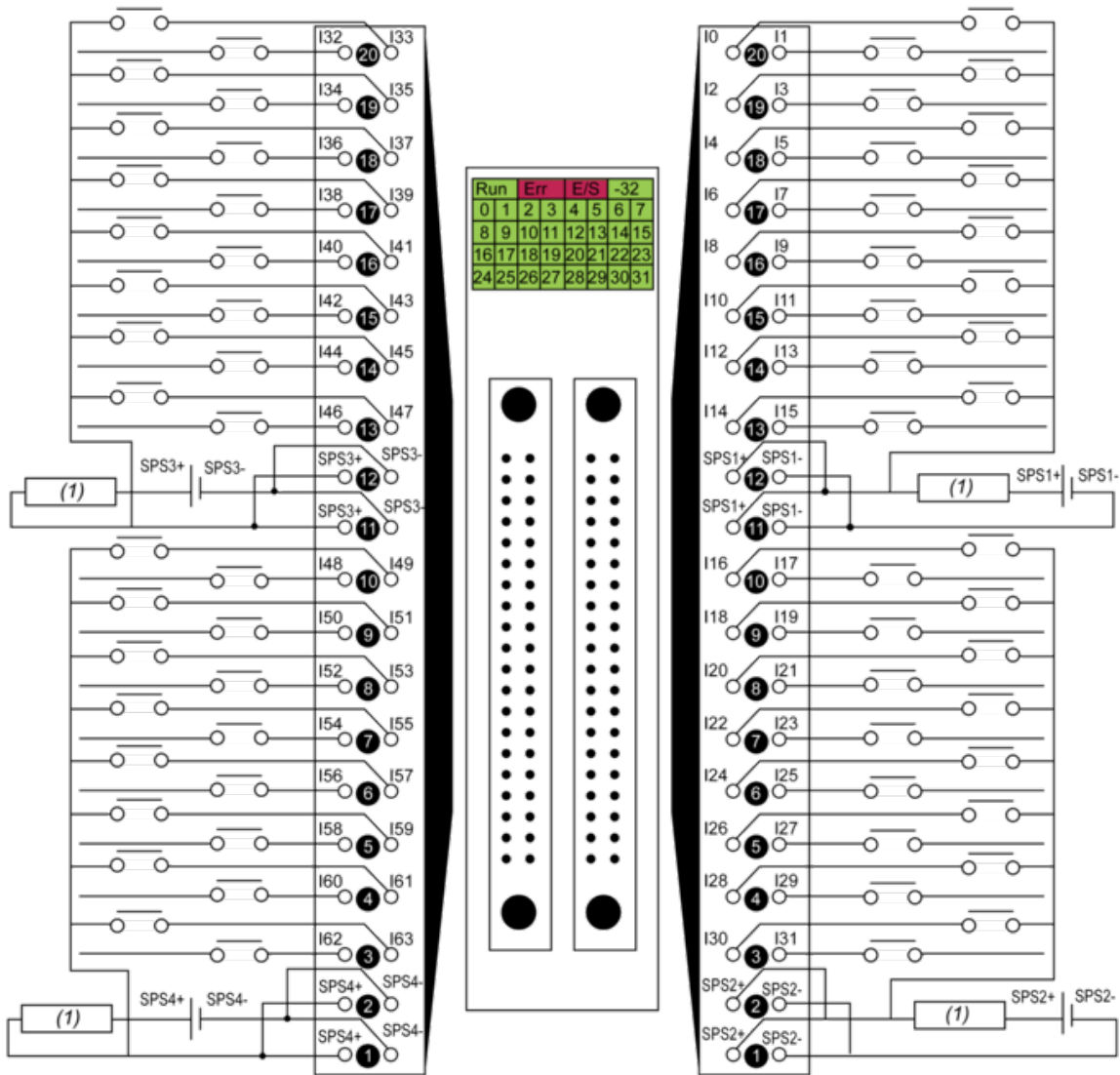
| Rack references | a in mm | a in in. |
|----------------------------|---------|----------|
| BMXXBP0400 and BMXXBP0400H | 242.4 | 09.54 |
| BMXXBP0600 and BMXXBP0600H | 307.6 | 12.11 |
| BMXXBP0800 and BMXXBP0800H | 372.8 | 14.68 |
| BMXXBP1200 and BMXXBP1200H | 503.2 | 19.81 |

Connecting the Module

Input Circuit Diagram



Module Connection



(1) fuse: fast blow fuse of 0.5 A for each 16-channel group
 power supply 24 VDC
 SPS sensor power supply