

# Product data sheet

## Characteristics

# 9050JCK70V14

Timer, Harmony 9050 JCK, multifunction, programmable, 0.5 second to 999 hours, 10A, 240V AC, 24V AC/DC



### Main

Product range	9050JCK
Product type	Timer
Timing mode	Watchdog On-delay and off-delay One shot falling edge One shot Trigger on-delay Off-delay On-delay Interval Repeat cycle
Timing range	0.1...99.9 h 0.05...9.99 s 0.1...99.9 min 1...999 h 1...999 s 1...999 min
Supply voltage	24 V AC

### Complementary

Power consumption	3 VA
Current rating	10 A
Switch function	DPDT
Contact composition	2 NO + 2 NC
Contact material	Silver nickel
Maximum switching voltage	240 V AC
Mounting type	Socket
Number of pins	11
Shape of pins	Tubular
For use with	8501NR62 8501NR61

### Environment

Certifications	UL Recognized CE UL Listed
Ambient temperature range - operational	-18...150 °F (-28...66 °C)
Height	2.36 in (60 mm)
Width	1.73 in (44 mm)
Depth	3.58 in (91 mm)

### Ordering and shipping details

Category	21652-9050 JCK60, 70 PROGRAMMABLE TIMERS
Discount Schedule	CP2
GTIN	785901053897
Returnability	Yes
Country of origin	US

## Packing Units

Unit Type of Package 1	PCE
Number of Units in Package 1	1
Package 1 Height	1.90 in (4.826 cm)
Package 1 Width	2.50 in (6.35 cm)
Package 1 Length	4.30 in (10.922 cm)
Package 1 Weight	4.48 oz (127.006 g)

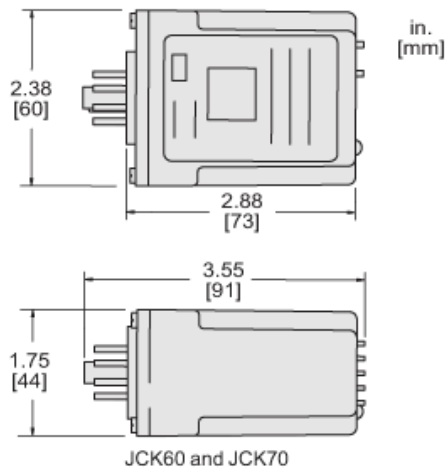
## Offer Sustainability

Sustainable offer status	Green Premium product
REACH Regulation	<a href="#">REACH Declaration</a>
REACH free of SVHC	Yes
EU RoHS Directive	Pro-active compliance (Product out of EU RoHS legal scope) <a href="#">EU RoHS Declaration</a>
Toxic heavy metal free	Yes
Mercury free	Yes
China RoHS Regulation	<a href="#">China RoHS Declaration</a>
RoHS exemption information	<a href="#">Yes</a>
Environmental Disclosure	<a href="#">Product Environmental Profile</a>
Circularity Profile	<a href="#">End Of Life Information</a>

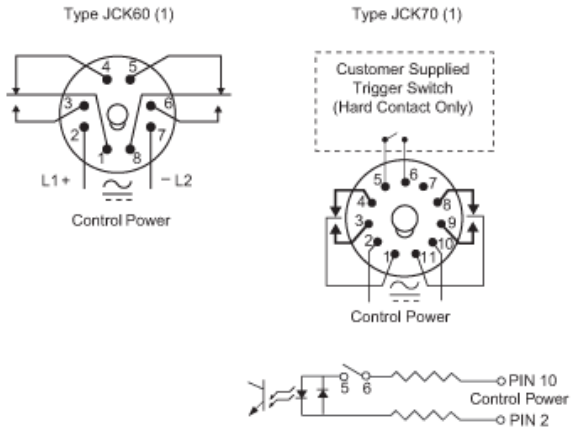
## Contractual warranty

Warranty	18 months
----------	-----------

Approximate Dimensions



Connections and Wiring Diagrams



(1) Do not apply DC voltage to the 240 Vac timers (voltage code V24).