



Main

| | |
|---------------------------|---|
| Range of Product | Modicon TM5 |
| Product or Component Type | Analog input module |
| Analogue input number | 4 |
| Analogue input type | Voltage +/- 10 V differential Current 0...20 mA/4...20 mA differential |
| Analogue input resolution | 12 bits + sign +/- 10 V 12 bits 0...20 mA/4...20 mA |

Complementary

| | |
|---|--|
| Range Compatibility | Modicon M258 Modicon LMC058 |
| Product Compatibility | Motion controller Logic controller |
| Measurement resolution | 2.441 mV, +/- 10 V 4.883 µA, 0...20 mA/4...20 mA |
| Color | White |
| Input impedance | >= 20 mOhm voltage |
| Load impedance ohmic | <= 400 Ohm current) |
| Sampling duration | 1 Ms all inputs with filtering 400 µs all inputs without filtering |
| Measurement error | < 0.08 % of full scale +/- 10 V +/- 10 V 25 °C < 0.08 % of full scale 0...20 mA/4...20 mA 25 °C |
| Temperature coefficient | +/- 0.009 %FS/°C current +/- 0.006 %FS/°C voltage |
| Non-linearity | < 0.025 %FS voltage < 0.05 %FS current |
| Type of Cable | Shielded cable |
| Isolation | No insulation between channels 500 Vrms AC insulation between channel and bus |
| Supply | Internal |
| [Us] rated supply voltage | 24 V DC -15...20 % |
| EMI/RFI Noise rejection (100 kHz to 10 MHz) | > 70 dB |
| Local signalling | 1 LED green power supply 1 LED red power supply 4 LEDs green input status |
| Current consumption | 2 mA 5 V DC bus 46 mA 24 V DC input/output |
| Maximum power dissipation in W | 1.11 W |
| Marking | CE |
| Product Weight | 0.06 lb(US) (0.025 kg) |

Environment

| | |
|---------------------------------------|--|
| Standards | CSA C22.2 No 213 IEC 61131-2 UL 508 CSA C22.2 No 142 |
| Product Certifications | CSA CULus GOST-R C-tick |
| Ambient air temperature for operation | 32...131 °F (0...55 °C) without derating horizontal installation) 32...140 °F (0...60 °C) with derating factor horizontal installation) 32...122 °F (0...50 °C) vertical installation) |
| Ambient Air Temperature for Storage | -13...158 °F (-25...70 °C) |
| Relative humidity | 5...95 % without condensation |
| IP degree of protection | IP20IEC 61131-2 |
| Pollution degree | 2 IEC 60664 |
| Operating altitude | 0...6561.68 ft (0...2000 m) |
| Storage altitude | 0.00...9842.52 ft (0...3000 m) |
| Vibration resistance | 1 gn 8.4...150 Hz DIN rail 3.5 mm 5...8.4 Hz DIN rail |
| Shock resistance | 15 gn 11 ms |
| Resistance to electrostatic discharge | 4 KV on contact EN/IEC 61000-4-2 8 kV in air EN/IEC 61000-4-2 |
| Resistance to electromagnetic fields | 0.91 V/m (1 V/m) 2...2.7 GHz EN/IEC 61000-4-3 9.14 V/m (10 V/m) 80...2000 MHz EN/IEC 61000-4-3 |
| Resistance to fast transients | 1 KV EN/IEC 61000-4-4 I/O) 1 KV EN/IEC 61000-4-4 shielded cable) 2 kV EN/IEC 61000-4-4 power lines) |
| Surge withstand | 0.5 KV differential mode EN/IEC 61000-4-5 1 kV common mode EN/IEC 61000-4-5 |
| Electromagnetic compatibility | EN/IEC 61000-4-6 |
| Disturbance radiated/conducted | CISPR 11 |

Ordering and shipping details

| | |
|-------------------|----------------|
| Category | 22532-M258 PLC |
| Discount Schedule | PC12 |
| GTIN | 3595864074733 |
| Returnability | Yes |
| Country of origin | AT |

Packing Units

| | |
|------------------------------|------------------------|
| Unit Type of Package 1 | PCE |
| Number of Units in Package 1 | 1 |
| Package 1 Height | 0.83 in (2.100 cm) |
| Package 1 Width | 2.40 in (6.100 cm) |
| Package 1 Length | 4.25 in (10.800 cm) |
| Package 1 Weight | 1.38 oz (39.000 g) |
| Unit Type of Package 2 | S02 |
| Number of Units in Package 2 | 97 |
| Package 2 Height | 5.91 in (15.000 cm) |
| Package 2 Width | 11.81 in (30.000 cm) |
| Package 2 Length | 15.75 in (40.000 cm) |
| Package 2 Weight | 9.19 lb(US) (4.168 kg) |

Offer Sustainability

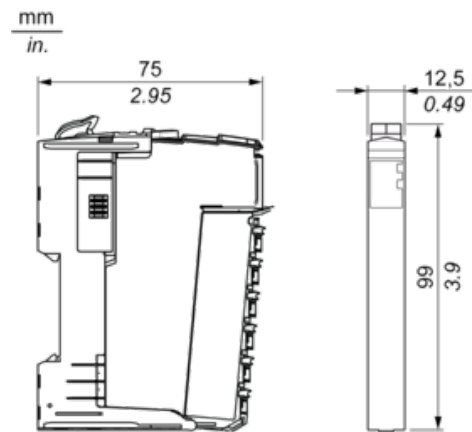
| | |
|----------------------------|---|
| Sustainable offer status | Green Premium product |
| California proposition 65 | WARNING: This product can expose you to chemicals including: Lead and lead compounds, which is known to the State of California to cause cancer and birth defects or other reproductive harm. For more information go to www.P65Warnings.ca.gov |
| REACH Regulation | REACH Declaration |
| REACH free of SVHC | Yes |
| EU RoHS Directive | Pro-active compliance (Product out of EU RoHS legal scope) EU RoHS Declaration |
| Toxic heavy metal free | Yes |
| Mercury free | Yes |
| China RoHS Regulation | China RoHS Declaration |
| RoHS exemption information | Yes |
| Environmental Disclosure | Product Environmental Profile |
| Circularity Profile | End Of Life Information |
| WEEE | The product must be disposed on European Union markets following specific waste collection and never end up in rubbish bins. |
| PVC free | Yes |

Contractual warranty

| | |
|----------|-----------|
| Warranty | 18 months |
|----------|-----------|

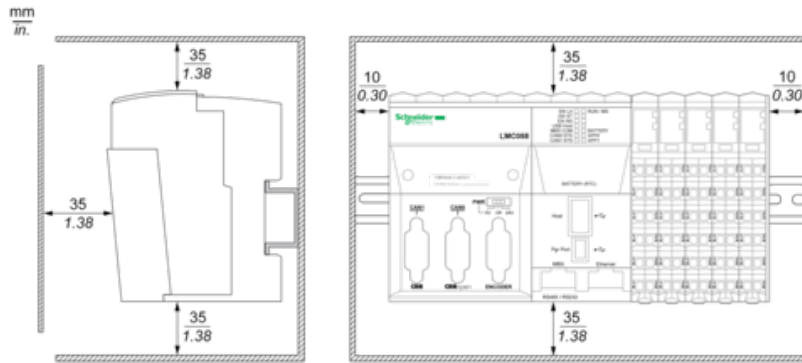
TM5 Slice

Dimensions

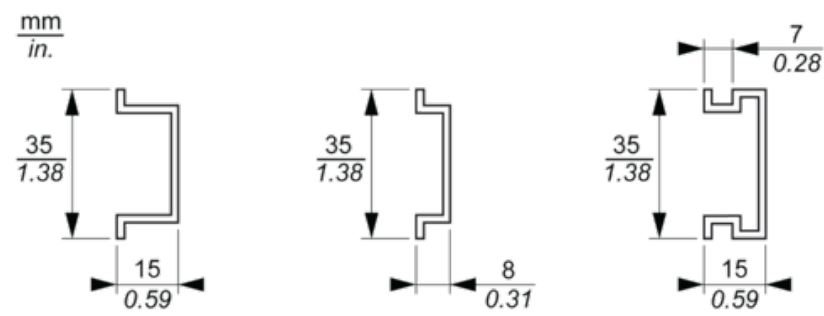


TM5 System

Spacing Requirements

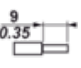





Mounting on a DIN Rail



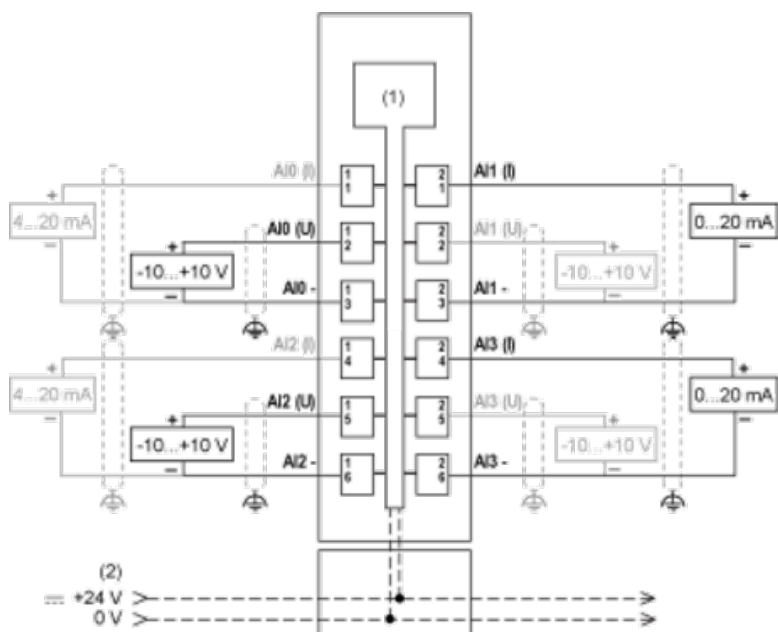
TM5 System Wiring Recommendations

Wire Sizes to Use with the Removable Spring Terminal Blocks

| $\frac{\text{mm}}{\text{in.}}$ |  |  |  |  |
|--------------------------------|---|---|---|---|
| mm ² | 0,08...2,5 | 0,25...2,5 | 0,25...1,5 | 2 x 0,25...2 x 0,75 |
| AWG | 28...14 | 24...14 | 24...16 | 2 x 24...2 x 18 |

Electronic Module 4AI ±10V/0-20mA/4-20mA 12 Bits

Wiring Diagram



- (1) Internal electronics
- (2) 24 Vdc I/O power segment integrated into the bus bases
- (I) Current
- (U) Voltage