

## Main

Range of Product	Modicon M340 automation platform
Product or Component Type	Counter module
Number of Channels	2
Maximum counting frequency	60000 Hz
Number of inputs	6
Input compatibility	19.2...30 V 2-wire/3-wire proximity sensor Incremental encoder with push-pull outputs, 10...30 V totem pole
Input voltage	24 V DC type 3
Number of outputs	2
Output voltage	24 V DC

## Complementary

Counter functions	Loop (modulo) counting Width modulation Down counting Measure time periods Ratio count Count events 32-bit counter counting Frequency meter
Cycle time	1 ms
Isolation voltage	1500 V 60 s
Input type	3 auxiliary input 3 high speed
Input voltage limits	30 V
Input current	2 mA at 11 V
Voltage state 1 guaranteed	11...30 V
Current state 1 guaranteed	>= 6 mA
Voltage state 0 guaranteed	< 5 V
Current state 0 guaranteed	<= 1.5 mA
Discrete output logic	Positive or negative configurable
Maximum output current	2 A per module 0.5 A per output
Output voltage limits	19.2...30 V
Maximum load current	1 A per module 0.5 A per output
Maximum leakage current	0.1 mA at state 0
Maximum voltage drop	<3 V at state 1
Output overload protection	Integrated
Output short-circuit protection	1.5 A integrated
Overlap time	0.2 ms
Electrical connection	1 connector 10 pins for wiring auxiliary input and sensor power supply 1 connector 16 pins for wiring the sensors of counter 0 1 connector 16 pins for wiring the sensors of counter 1
Current consumption	200 mA 3.3 V DC bus 40 mA 24 V DC rack 80 mA 24 V DC sensor
Module format	Standard
Product Weight	0.25 lb(US) (0.112 kg)

The information provided in this documentation contains general descriptions and/or technical characteristics of the performance of the products contained herein. This documentation is not intended as a substitute for and is not to be used for determining suitability or reliability of these products for specific user applications. It is the duty of any such user or integrator to perform the appropriate and complete risk analysis, evaluation and testing of the products with respect to the relevant specific application or use thereof. Neither Schneider Electric Industries SAS nor any of its affiliates or subsidiaries shall be responsible or liable for misuse of the information contained herein.

## Environment

Ambient Air Temperature for Operation	32...140 °F (0...60 °C)
Relative Humidity	10...95 % without condensation
IP Degree of Protection	IP20
Directives	2014/35/EU - low voltage directive 2014/30/EU - electromagnetic compatibility
Protective treatment	TC

## Ordering and shipping details

Category	18160-MODICON M340
Discount Schedule	PC34
GTIN	3595863910148
Returnability	Yes
Country of origin	FR

## Packing Units

Unit Type of Package 1	PCE
Number of Units in Package 1	1
Package 1 Height	2.17 in (5.500 cm)
Package 1 Width	4.53 in (11.500 cm)
Package 1 Length	4.65 in (11.800 cm)
Package 1 Weight	4.94 oz (140.000 g)
Unit Type of Package 2	S02
Number of Units in Package 2	15
Package 2 Height	5.91 in (15.000 cm)
Package 2 Width	11.81 in (30.000 cm)
Package 2 Length	15.75 in (40.000 cm)
Package 2 Weight	5.34 lb(US) (2.421 kg)

## Offer Sustainability

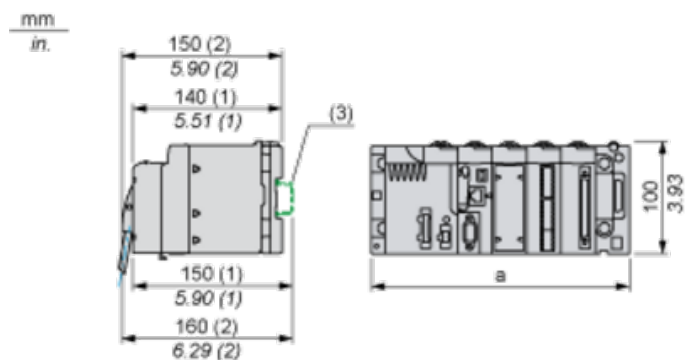
Sustainable offer status	Green Premium product
California proposition 65	WARNING: This product can expose you to chemicals including: Lead and lead compounds, which is known to the State of California to cause cancer and birth defects or other reproductive harm. For more information go to <a href="http://www.P65Warnings.ca.gov">www.P65Warnings.ca.gov</a>
REACH Regulation	<a href="#">REACH Declaration</a>
EU RoHS Directive	Pro-active compliance (Product out of EU RoHS legal scope) <a href="#">EU RoHS Declaration</a>
Mercury free	Yes
China RoHS Regulation	<a href="#">China RoHS Declaration</a>
RoHS exemption information	<a href="#">Yes</a>
Circularity Profile	<a href="#">End Of Life Information</a>
WEEE	The product must be disposed on European Union markets following specific waste collection and never end up in rubbish bins.

## Contractual warranty

Warranty	18 months
----------	-----------

Modules Mounted on Racks

Dimensions



(1) With removable terminal block (cage, screw or spring).

(2) With FCN connector.

(3) On AM1 ED rail: 35 mm wide, 15 mm deep. Only possible with BMXXBP0400/0400H/0600/0600H/0800/0800H rack.

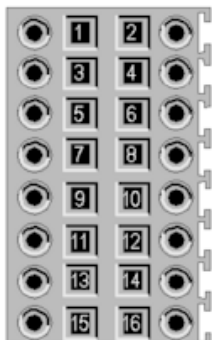
Rack references	a in mm	a in in.
BMXXBP0400 and BMXXBP0400H	242.4	09.54
BMXXBP0600 and BMXXBP0600H	307.6	12.11
BMXXBP0800 and BMXXBP0800H	372.8	14.68
BMXXBP1200 and BMXXBP1200H	503.2	19.81

## Counting Module Wiring

### Note

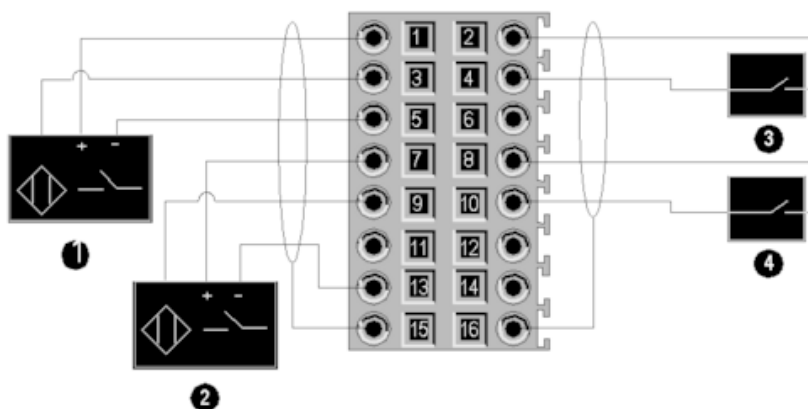
The two 16-pin connectors and the 10-pin connector are sold separately and are available in the BMXXTSHSC20 connection kit.

### Assignment of the 16-Pin Connector



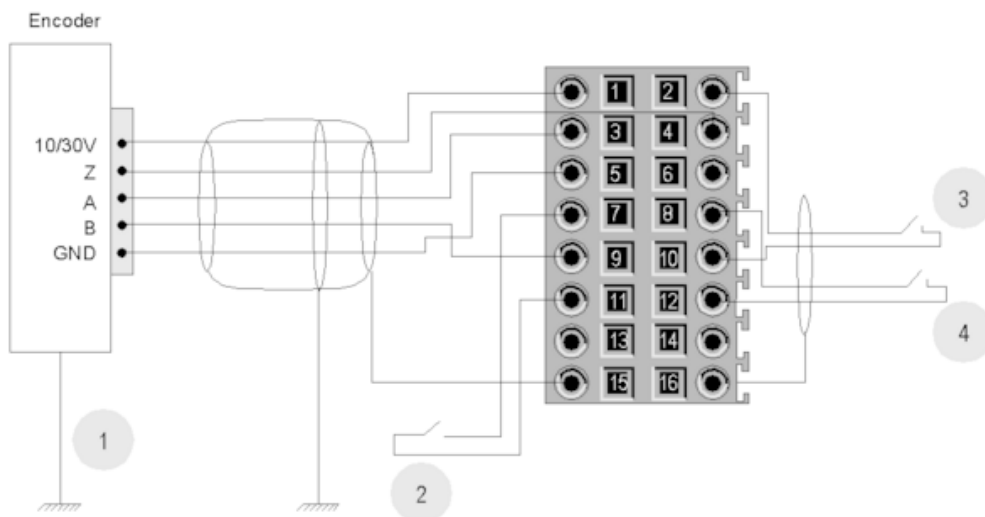
Pin number	Symbol	Description
1, 2, 7, 8	24V_SEN	24 VDC output for sensors supply
5, 6, 13, 14	GND_SEN	24 VDC output for sensors supply
15, 16	FE	Functional earth
3	IN_A	Input A
4	IN_SYNC	Synchronization input
9	IN_B	Input B
10	IN_EN	Enable input selected
11	IN_REF	Homing input
12	IN_CAP	Capture input

### Sensors Connection Example



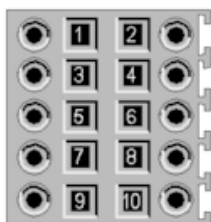
- 1 IN\_A input
- 2 IN\_B input
- 3 IN\_SYNC input (synchronization input)
- 4 IN\_EN input (enable input)

## Encoder Connection Example for Axis Control



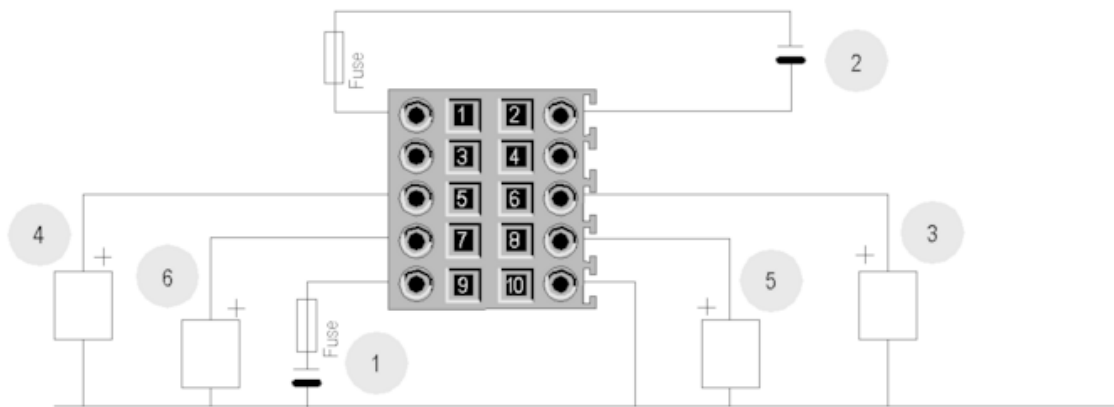
- 1 Encoder (inputs A, B and Z)
- 2 IN\_REF input (homing input)
- 3 IN\_EN input (enable input)
- 4 IN\_CAP input (capture input)

## Assignment of the 10-Pin Connector



Pin number	Symbol	Description
1	24V_IN	24 VDC input for sensors supply
2	GND_IN	Return 24 VDC input for sensors supply
5	Q0-1	Q1 output for counting channel 0
6	Q0-0	Q0 output for counting channel 0
7	Q1-1	Q1 output for counting channel 1
8	Q1-0	Q0 output for counting channel 1
9	24V_OUT	24 VDC input for actuators supply
10	GND_OUT	Return 24 VDC input for actuators supply

## Connecting Outputs and Supplies



1 24 VDC supply for sensors

2 Return 24 VDC supply for sensors

3 Actuator for the Q0 output of counting channel 0

4 Actuator for the Q1 output of counting channel 0

5 Actuator for the Q0 output of counting channel 1

6 Actuator for the Q1 output of counting channel 1

The Q0 and Q1 outputs are limited by a maximum current of 0.5 A.

## Recommended Circuit for high-Noise Environment Using BMXXSP... Electromagnetic Protection Kit

