



Main

| | |
|------------------------------|--|
| Range of Product | Modicon M171/M172 |
| Product or Component Type | Controller |
| Product Specific Application | HVAC and pumping solution |
| Variant | Programmable |
| Total inputs/outputs | 14 |
| Discrete input number | 2 |
| Discrete output number | 1 relay outputs SPDT with independent common 3 relay outputs SPST with same common |
| Discrete output current | 2 A relay |
| Analogue input number | 2 configurable 3 analog input NTC |
| Analogue output number | 2 voltage 0...10 V 2 PWM/PPM 20 kHz, 12 V, 35 mA 1 voltage/current 0...20 mA/4...20 mA |

Complementary

| | |
|---------------------------|--|
| Number of port | 1 LAN expansion bus 1 RS485 - screw terminal block Modbus serial link) |
| Input/output number | 5 analog output 4 digital output 5 analog input |
| Discrete input logic | Sink or source (positive/negative) |
| Contacts usage | Volt-free contacts |
| Analogue input type | Voltage 0...5 V ratiometric) Voltage 0...10 V NTC temperature probe - 50...100 °C 0.1 °C Pt 1000 temperature probe - 50...400 °C 0.1 °C Current 0...20 mA/4...20 mA Voltage 0...1 V |
| Sensor power supply | 12 V DC 85 mA 5 V DC 20 mA |
| [Us] rated supply voltage | 100...240 V +/- 10 % AC |
| Realtime clock | Built-in -4...131 °F (-20...55 °C) |
| Display type | Four 7-segment display units |
| Overvoltage category | II |
| Local signalling | 6 LEDs (red) 5 LEDs (green) For programmable 7 LEDs (amber) |
| Mounting Support | DIN rail |
| Width | 2.76 in (70.2 mm) |
| Height | 3.43 in (87 mm) |
| Depth | 2.43 in (61.7 mm) |
| Product Weight | 0.42 lb(US) (0.19 kg) |

The information provided in this documentation contains general descriptions and/or technical characteristics of the performance of the products contained herein. This documentation is not intended as a substitute for and is not to be used for determining suitability or reliability of these products for specific user applications. It is the duty of any such user or integrator to perform the appropriate and complete risk analysis, evaluation and testing of the products with respect to the relevant specific application or use thereof. Neither Schneider Electric Industries SAS nor any of its affiliates or subsidiaries shall be responsible or liable for misuse of the information contained herein.

Environment

| | |
|---------------------------------------|--|
| Directives | 86/188/EEC - physical agents (noise) directive 2006/95/EC - low voltage directive |
| Standards | EN/IEC 60730 |
| Product Certifications | CE EAC CSA cURus |
| Ambient air temperature for operation | -4...131 °F (-20...55 °C) UL 60730-1 |
| Ambient Air Temperature for Storage | -40...185 °F (-40...85 °C) |
| Relative humidity | 10...90 % non-condensing |
| IP degree of protection | IP20 |
| Pollution degree | 2 |

Ordering and shipping details

| | |
|-------------------|------------------------------------|
| Category | 22537-M171 / M172 HVAC CONTROLLERS |
| Discount Schedule | PC12 |
| GTIN | 3606480752773 |
| Returnability | No |
| Country of origin | IT |

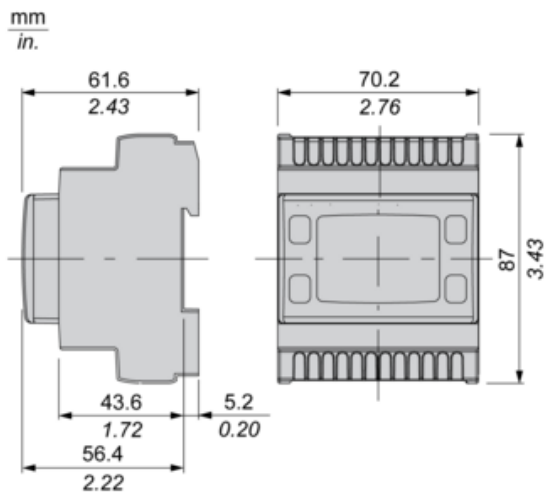
Packing Units

| | |
|------------------------------|------------------------|
| Unit Type of Package 1 | PCE |
| Number of Units in Package 1 | 1 |
| Package 1 Height | 5.20 in (13.200 cm) |
| Package 1 Width | 3.54 in (9.000 cm) |
| Package 1 Length | 7.28 in (18.500 cm) |
| Package 1 Weight | 10.58 oz (300.000 g) |
| Unit Type of Package 2 | S02 |
| Number of Units in Package 2 | 6 |
| Package 2 Height | 5.91 in (15.000 cm) |
| Package 2 Width | 11.81 in (30.000 cm) |
| Package 2 Length | 15.75 in (40.000 cm) |
| Package 2 Weight | 4.53 lb(US) (2.056 kg) |

Offer Sustainability

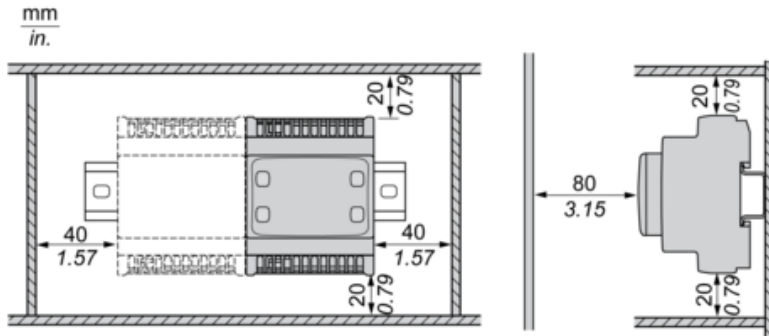
| | |
|----------------------------|---|
| Sustainable offer status | Green Premium product |
| California proposition 65 | WARNING: This product can expose you to chemicals including: Lead and lead compounds, which is known to the State of California to cause cancer and birth defects or other reproductive harm. For more information go to www.P65Warnings.ca.gov |
| REACH Regulation | REACH Declaration |
| EU RoHS Directive | Pro-active compliance (Product out of EU RoHS legal scope) EU RoHS Declaration |
| Mercury free | Yes |
| China RoHS Regulation | China RoHS Declaration |
| RoHS exemption information | Yes |
| Environmental Disclosure | Product Environmental Profile |
| Circularity Profile | End Of Life Information |
| WEEE | The product must be disposed on European Union markets following specific waste collection and never end up in rubbish bins. |
| Upgradeability | Upgradeable through digital modules and upgraded components |

Dimensions

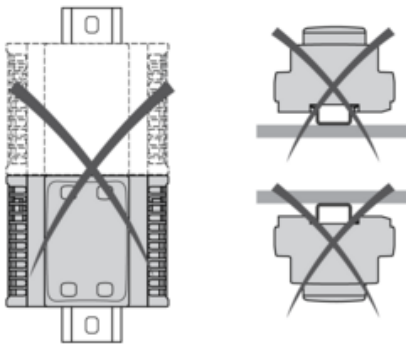


Mounting and Clearance

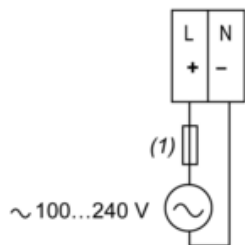
Clearance



Misplacement

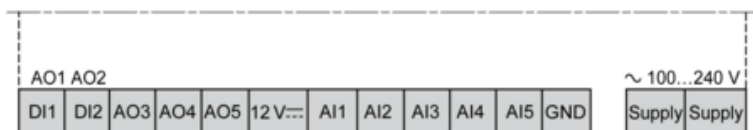
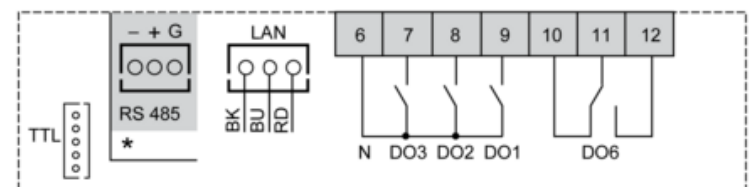


Power Supply



(1) Type T fuse 160 mA

Wiring Diagram



- N : Neutral
- GND : Ground
- BK : Black
- BU : Blue
- RD : Red
- AI : Analogue input
- AO : Analogue output
- DI : Digital input
- DO : Digital output