

MCX RA CRIMP PLUG RG178

SC9467

SPECIFICATIONS

ELECTRICAL:

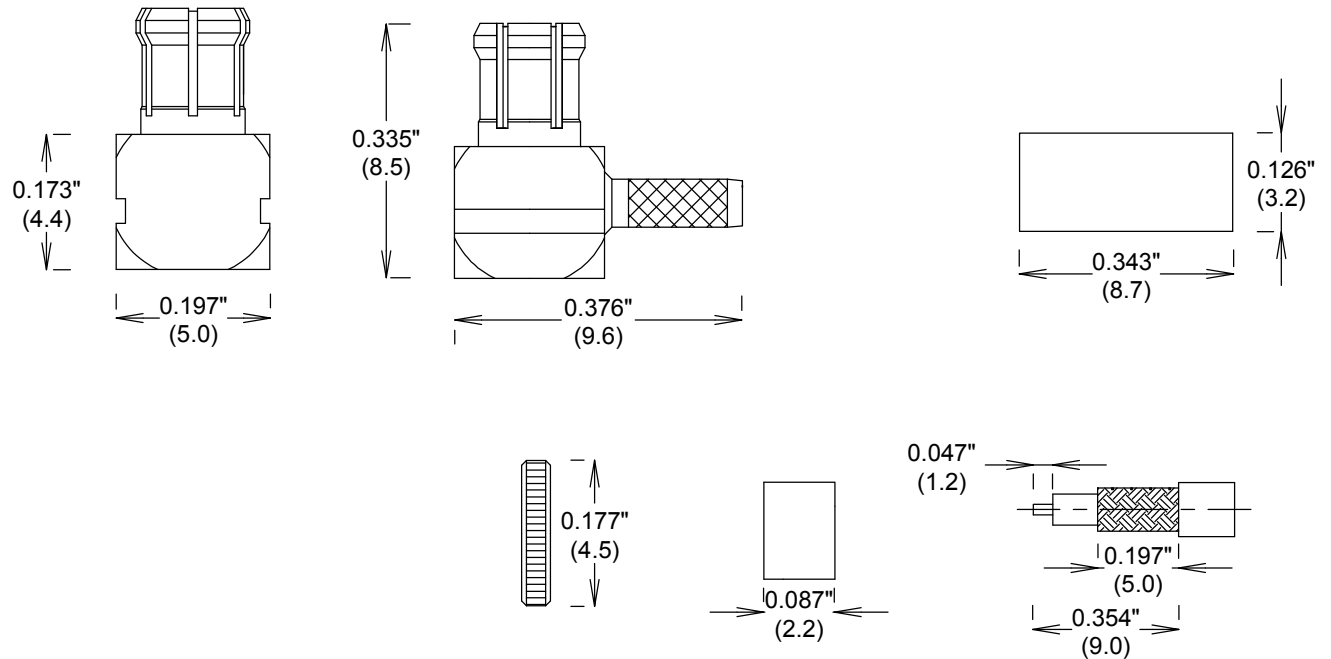
FREQUENCY: 0-3 GHZ
 VSWR 1.25:1 MAX
 IMPEDANCE: 50 OHMS
 OP. TEMP RANGE: -55C to +125C

MECHANICAL:

MATERIAL BODY: BRASS AU PLATING
 CENTER CONTACT: BRASS
 CONTACT PLATING: 30 μ-in
 CAPTIVATED CONTACT
 INSULATOR: TEFLON
 ROHS COMPLIANT

ASSEMBLY

TRIM CABLE AS SHOWN,
 SLIDE CRIMP SLEEVE ON CABLE,
 PUSH CABLE INTO CONTACT SLOT,
 SLIDE SLEEVE FORWARD & CRIMP,
 SOLDER CENTER CONDUCTOR,
 APPLY CAP



FAIRVIEW MICROWAVE INC.

ALLEN, TX 75013 WWW.FAIRVIEWMICROWAVE.COM

TITLE

MCX RA CRIMP PLUG RG178

SIZE	CAGE CODE	DWG NO	REV
A	3FKR5	SC9467	
SCALE		SHEET	

ALL DIMENSIONS IN inches(MM) Typical