

SMA Male to RP TNC Male Adapter

SMA male to RP TNC male adapter part number SM5800 from Fairview Microwave is in-stock and ships same day. This Fairview SMA to reverse polarity TNC adapter has a male to male gender configuration. SM5800 SMA male to reverse polarity TNC male adapter operates to 11 GHz. The Fairview Microwave RF adapter provides excellent VSWR of 1.2:1 maximum. The SMA connector mates mechanically with commercially available 3.5mm and 2.92mm (K) connectors.

RF adapters can be used to enable connections between two connector types that would otherwise not mate. Certain RF adapter configurations can also be used to protect connectors on expensive equipment where the number of connect and disconnect cycles is high. An RF, microwave, or millimeter wave adapter is connected to the equipment and the commonly changed connection is made with the adapter which can be easily replaced when it wears out after high usage; such adapters are referred to as connector savers. Fairview Microwave also offers bulkhead, panel mount, hermetically sealed, reverse polarity, and isolated ground adapter varieties to serve all of your RF, microwave and millimeter wave needs.

Electrical Specifications

Description	Min	Typ	Max	Units
Frequency Range	DC		11	GHz
VSWR			1.2:1	
Operating Voltage (AC)			335	Vrms
DWV (AC)			1,000	Vrms
Insulation Resistance	5,000			MOhms

Electrical Specification Notes:
 Values at 25°C, sea level

Mechanical Specifications

Size	
Length	1.08 in [27.43 mm]
Width	0.59 in [14.99 mm]
Weight	0.0435 lbs [19.73 g]

Description	Connector 1	Connector 2
Type	SMA Male	TNC Male
Polarity	Standard	Reverse Polarity
Interface Specification	MIL-C-39012	MIL-C-39012
Hex Size	5/16 in.	
Mating Torque	5 in-lbs max [0.57 Nm] max	



Configuration:

- SMA Male Connector 1
- TNC Male Reverse Polarity Connector 2
- 50 Ohm
- Straight Body Geometry

Features:

- VSWR of 1.2:1 max up to 11 GHz
- SMA interface meets MIL-C-39012
- TNC interface meets MIL-C-39012
- Contact plating according to MIL-G-45204

Applications:

- Enables Between Series Connections
- General Purpose Test

Fairview Microwave
 301 Leora Ln., Suite 100
 Lewisville, TX 75056
 Tel: 1-800-715-4396 / (972) 649-6678
 Fax: (972) 649-6689
www.fairviewmicrowave.com
sales@fairviewmicrowave.com

Material Specifications

Description	Connector 1	Connector 2
Type	SMA Male	TNC Male
Contact Plating	Gold	Gold
Contact Plating Spec.	MIL-G-45204	MIL-G-45204
Insulation Material	PTFE	PTFE
Body Material	Brass	Brass
Body Plating	Nickel	Nickel
Body Plating Spec.	QQ-N-290	QQ-N-290
Coupling Nut Material	Brass	Brass
Coupling Nut Plating	Nickel	Nickel
Coupling Nut Plating Spec.	QQ-N-290	QQ-N-290

Environmental Specifications

Temperature

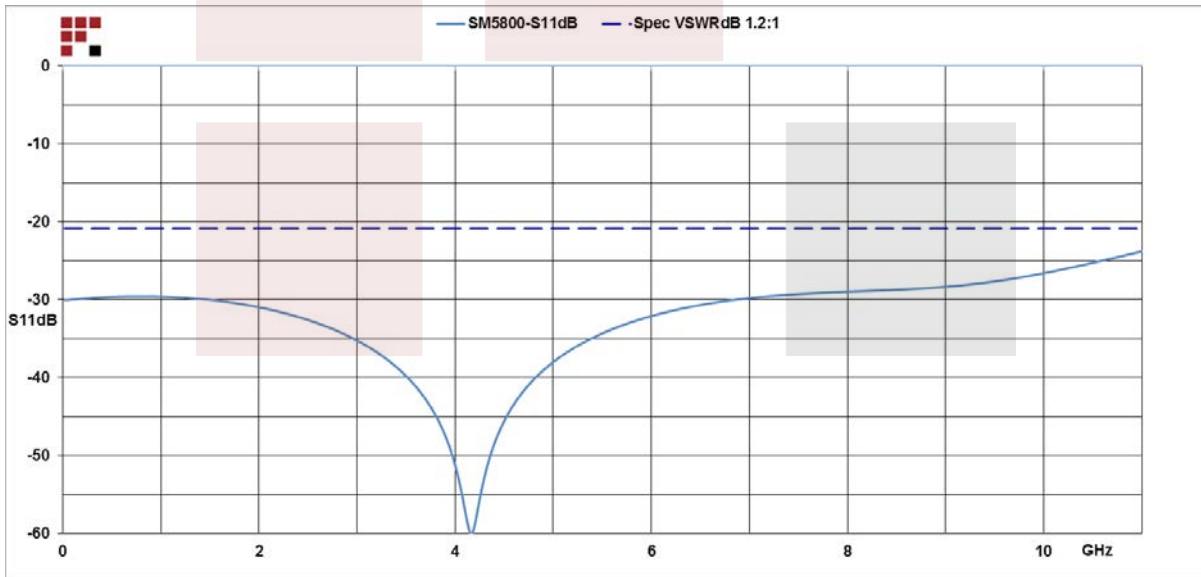
Operating Range -65 to +165 deg C

Compliance Certifications (see [product page](#) for current document)

Plotted and Other Data

Notes:

Typical Performance Data



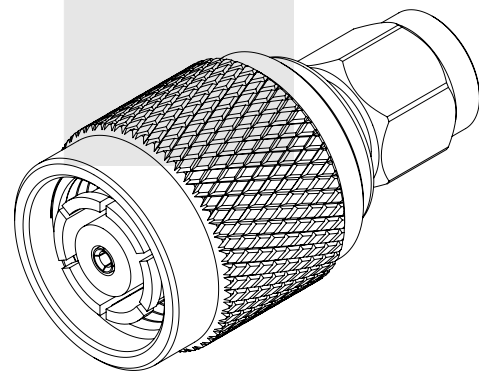
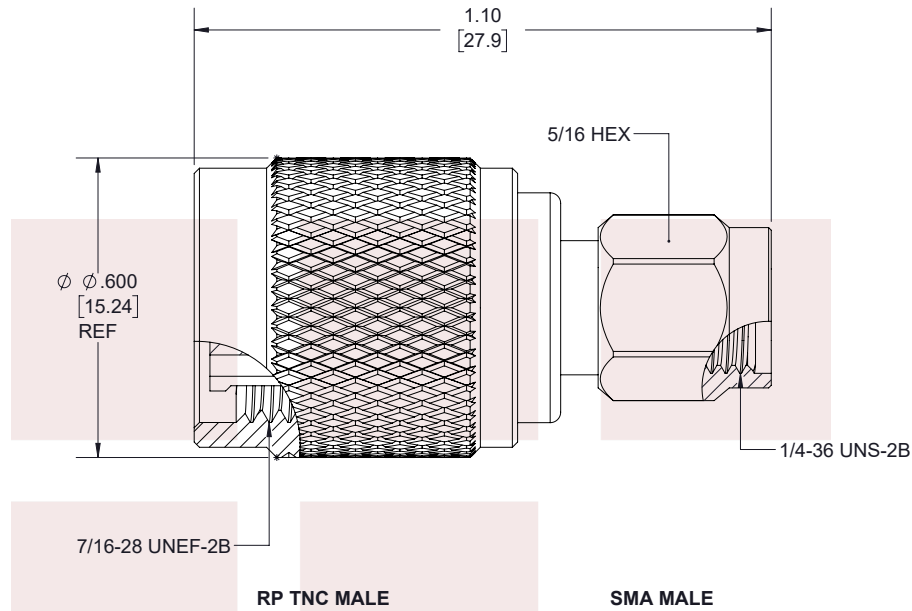
SMA Male to RP TNC Male Adapter from Fairview Microwave is in-stock and available to ship same-day. All of our RF/microwave products are available off-the-shelf from our ISO 9001:2008 certified facilities in Allen, Texas. Fairview Microwave is RF on-demand.

For additional information on this product, please click the following link: [SMA Male to RP TNC Male Adapter SM5800](#)

URL: <https://www.fairviewmicrowave.com/sma-male-rp-tnc-male-adapter-sm5800-p.aspx>

The information contained in this document is accurate to the best of our knowledge and representative of the part described herein. It may be necessary to make modifications to the part and/or the documentation of the part, in order to implement improvements. Fairview Microwave reserves the right to make such changes as required. Unless otherwise stated, all specifications are nominal. Fairview Microwave does not make any representation or warranty regarding the suitability of the part described herein for any particular purpose, and Fairview Microwave does not assume any liability arising out of the use of any part or documentation.





STANDARD TOLERANCES

.X ±0.2
.XX ±0.01
.XXX ±0.005

*STANDARD TOLERANCES APPLY ONLY TO DIMENSIONS IN INCHES

NOTES:
1. UNLESS OTHERWISE SPECIFIED ALL DIMENSIONS ARE NOMINAL.
2. ALL SPECIFICATIONS ARE SUBJECT TO CHANGE WITHOUT NOTICE AT ANY TIME.
3. DIMENSIONS ARE IN INCHES [mm].

TITLE SMA Male to RP TNC Male Adapter	DWG NO SM5800		CAGE CODE 3FKR5			
	CAD FILE 05/09/18	SHEET 1 OF 1	SCALE N/A	SIZE A	7361	