

TNC MALE SHORT 14 GHZ

SC2181

SPECIFICATIONS

ELECTRICAL

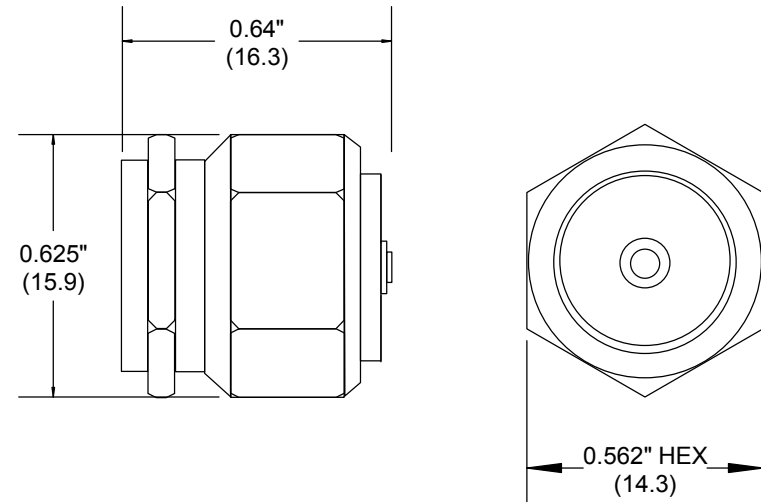
FREQUENCY: 0-14GHZ

MECHANICAL

MATERIALS BODY: NI PLATED BRASS
MATERIALS PIN: BRASS Au PLATTING PER MIL-G-45204
INTERFACE: MIL-STD-348A

TEMPERATURE RANG: -55° to +110°C

ROHS COMPLIANT



FAIRVIEW MICROWAVE INC.

ALLEN, TX 75013 WWW.FAIRVIEWMICROWAVE.COM

TITLE

TNC MALE SHORT 14 GHZ

SIZE	CAGE CODE	DWG NO	REV
A	3FKR5	SC2181	--
SCALE	SHEET		

ALL DIMENSIONS IN inches(MM) Typical